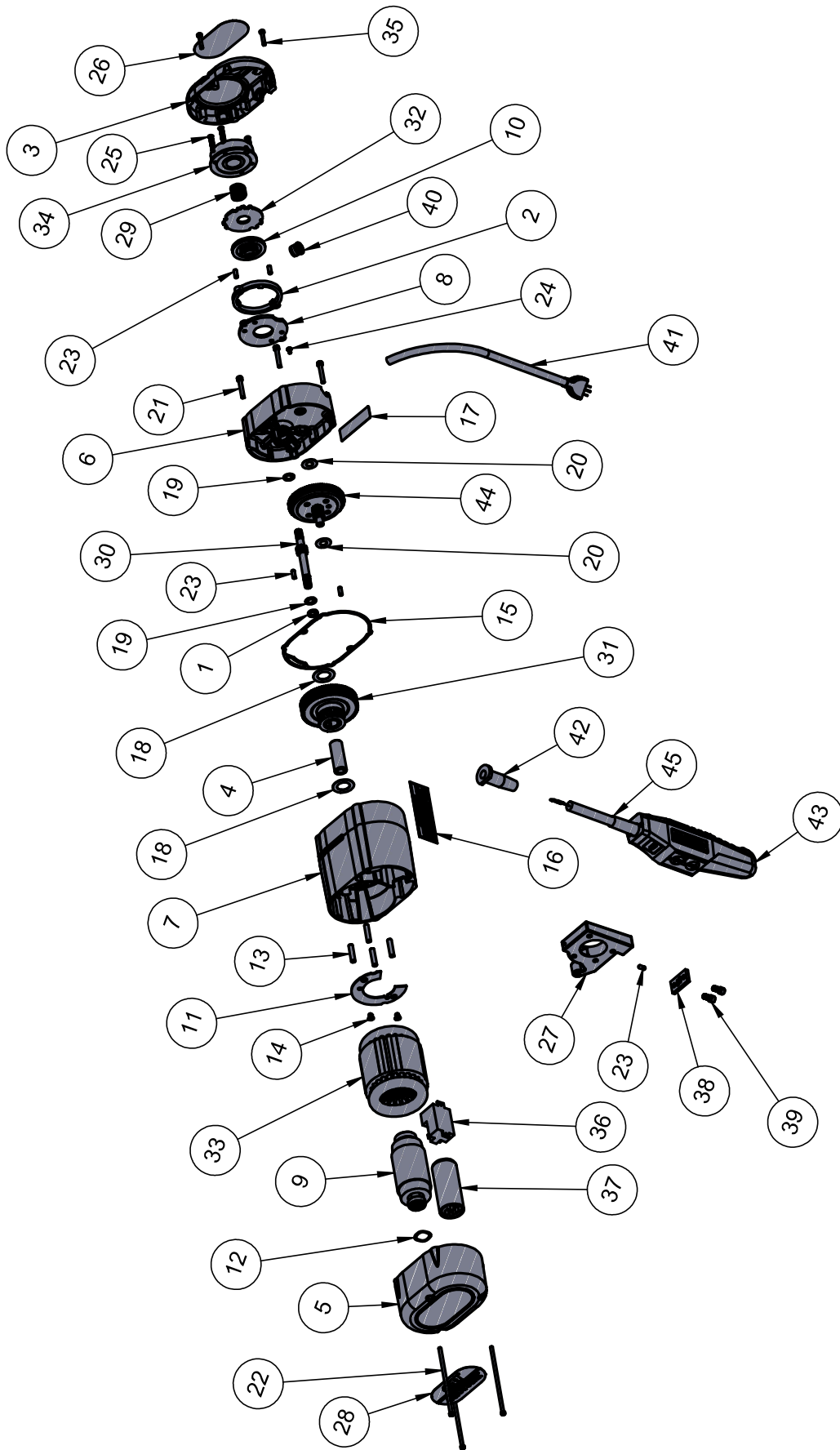
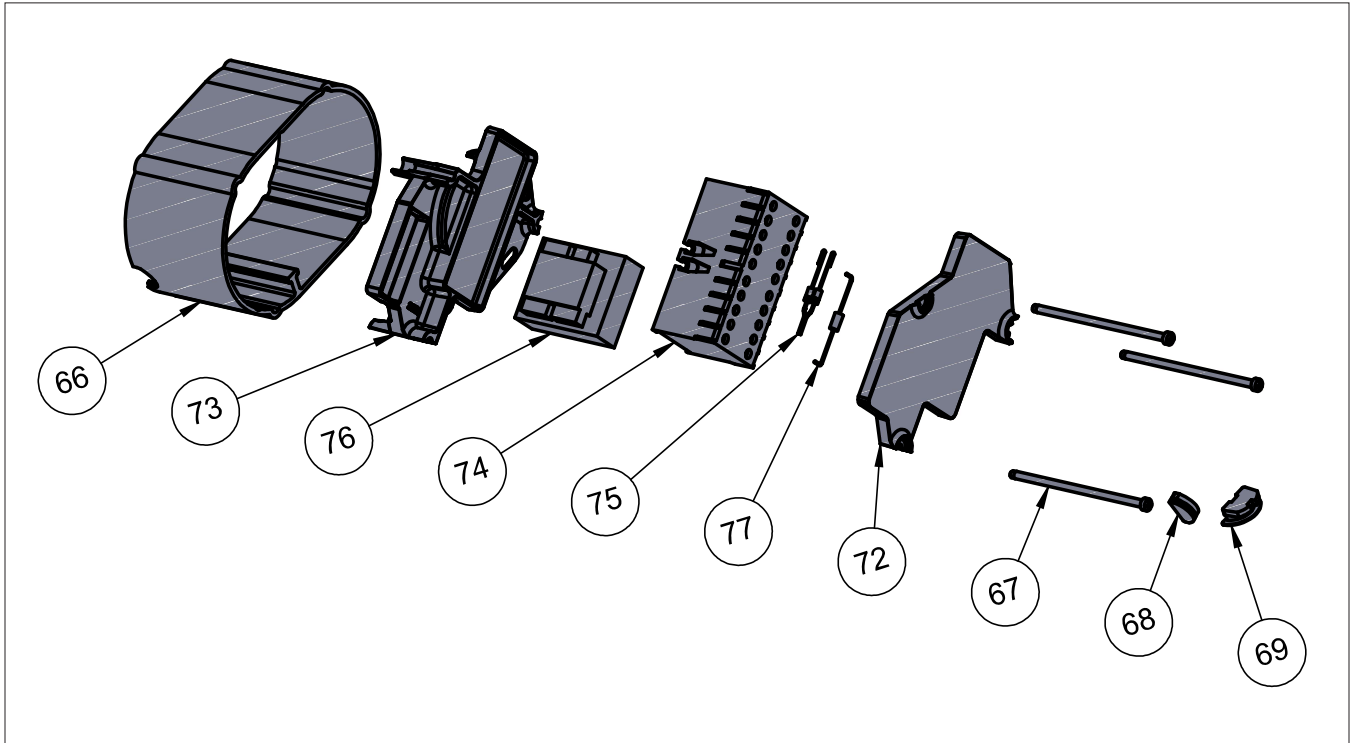


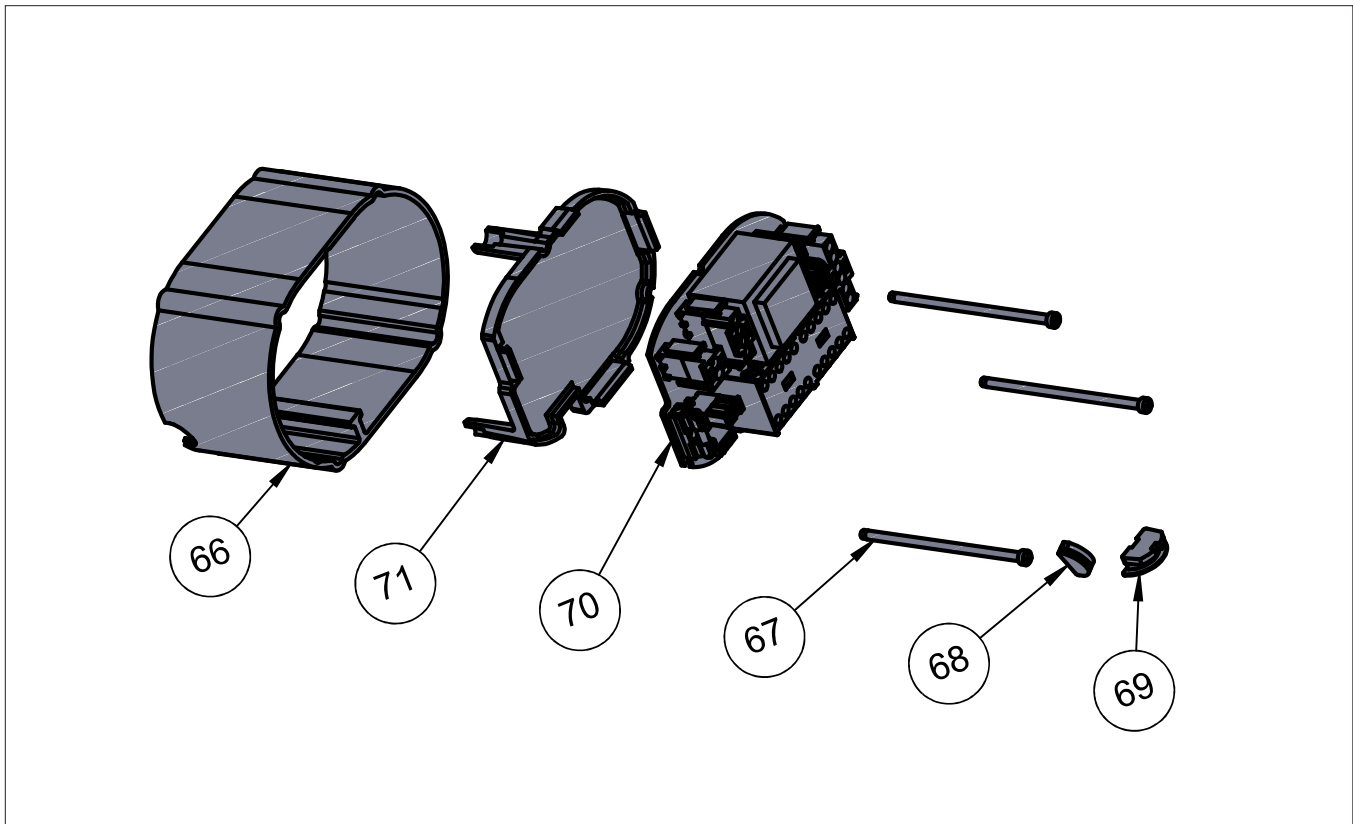
SHOPSTAR MAIN ASSEMBLY



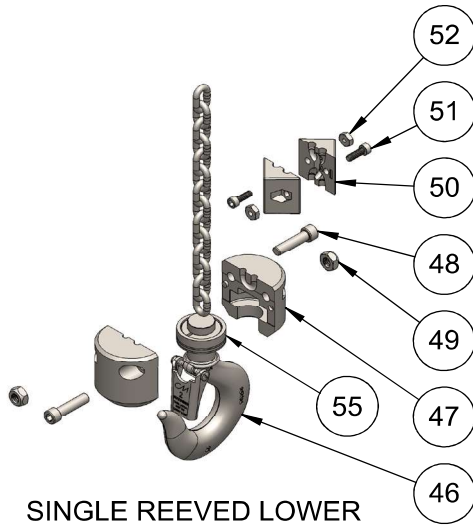
SHOPSTAR MAIN ASSEMBLY
HOIST WITH CONTACTOR



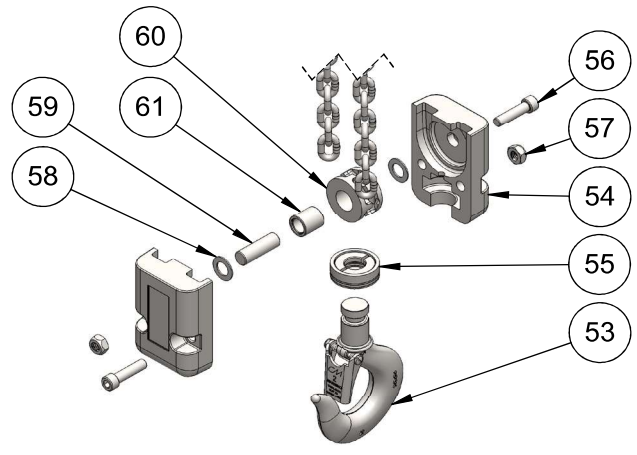
SHOPSTAR MAIN ASSEMBLY
HOIST WITH PRINTED CIRCUIT BOARD



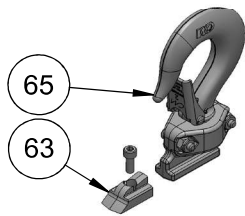
LOWER HOOK ASSEMBLIES



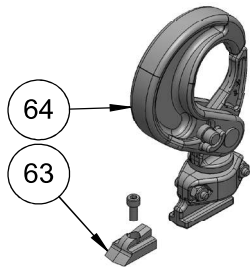
SINGLE REEVED LOWER HOOK & BLOCK



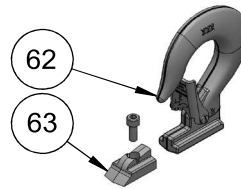
DOUBLE REEVED LOWER HOOK & BLOCK



SWIVEL HOOK SUSPENSION ASSEMBLY



SWIVEL LATCHLOK ASSEMBLY



RIGID HOOK SUSPENSION ASSEMBLY

SHOPSTAR PARTS LIST

ITEM NO.	PART NUMBER	DESCRIPTION	QTY.
1	20704	LIFTWHEEL SHAFT SEAL	1
2	20723	BRAKE SPACER	1
3	BRAKE END COVER		
	20323	BRAKE END COVER - ORANGE	1
	20377	BRAKE END COVER - WHITE	1
	20366	BRAKE END COVER - YELLOW	1
4	20313	LIFTWHEEL SHAFT	1
5	MOTOR END COVER		
	20302	MOTOR END COVER - ORANGE	1
	20356	MOTOR END COVER - WHITE	1
	20369	MOTOR END COVER - YELLOW	1
6	GEAR HOUSING		
	20350	GEAR HOUSING - ORANGE	1
	20371	GEAR HOUSING - WHITE	1
	20368	GEAR HOUSING - YELLOW	1
7	MAIN FRAME		
	20352	MAIN FRAME - ORANGE	1
	20370	MAIN FRAME - WHITE	1
	20367	MAIN FRAME - YELLOW	1
8	20419	BRAKE BASE PLATE	1
9	20651	ROTOR ASSEMBLY	1
10	20698	BRAKE DISC	1
11	20700	PIN RETAINER PLATE	1
12	20727	ROTOR THRUST WASHER	1
13	20729	CHAIN GUIDE/STRIPPER PIN	4
14	20743	PIN RETAINER PLATE SCREW	2
15	20755	GASKET	1
16	20758	CAUTION LABEL	1
17	24842	WARNING LABEL	2
18	88638	LIFTWHEEL THRUST WASHER	2
19	88639	FIRST PINION THRUST WASHER	2
20	88640	PROTECTOR THRUST WASHER	2
21	920718	GEAR HOUSING SCREW	4
22	920719	MOTOR COVER SCREW	3
23	920720	DOWEL PIN	4
24	920756	WIRE NUT	*
25	10001215	BRAKE SCREW	4
26	CAPACITY WARNING LABEL		
	20762	CAPACITY WARNING LABEL - 250 lbs.	1
	20737	CAPACITY WARNING LABEL - 300 lbs.	1
	20763	CAPACITY WARNING LABEL - 500 lbs.	1
	20738	CAPACITY WARNING LABEL - 600 lbs.	1
	20884	CAPACITY WARNING LABEL - 1,000 lbs.	1
27	20304/ 20305	INDIVIDUAL CHAIN GUIDE/STRIPPER	1

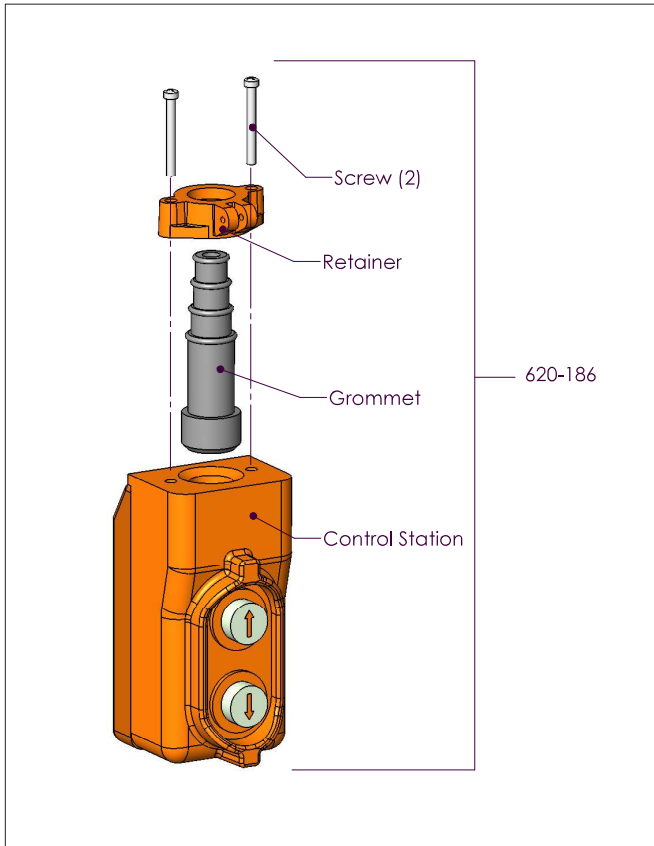
ITEM NO.	PART NUMBER	DESCRIPTION	QTY.
28	HOIST LABEL		
	20753	SERIES LABEL (SHOPSTAR)	1
	20874	SERIES LABEL (SHOPHOIST)	1
	20901	SERIES LABEL (SLC)	1
	20903	SERIES LABEL (SLM)	1
29	20887	BRAKE SPRING STANDARD	1
	20996	BRAKE SPRING 250 kg & 500 kg	1
30	20422	FIRST PINION AND DRIVE SHAFT, STANDARD.	1
	20423	FIRST PINION AND DRIVE SHAFT - 12 fpm, 500 lbs, 6 fpm, 1000 lbs.	1
31	LIFTWHEEL AND GEAR ASSEMBLY		
	20666	LIFTWHEEL AND GEAR ASSEMBLY - 6 fpm, 1,000 lbs.	1
	20664	LIFTWHEEL AND GEAR ASSEMBLY - 8 fpm, 500, 600 & 1,000 lbs.	1
	20666	LIFTWHEEL AND GEAR ASSEMBLY - 12 fpm, 500 lbs.	1
	20647	LIFTWHEEL AND GEAR ASSEMBLY - 12 fpm, 600 & 1000 lbs.	1
	20664	LIFTWHEEL AND GEAR ASSEMBLY - 16 fpm, 250, 300 & 500 lbs.	1
	20657	LIFTWHEEL AND GEAR ASSEMBLY - 20 fpm, 500 & 600 lbs.	1
	20647	LIFTWHEEL AND GEAR ASSEMBLY - 24 fpm, 250, 300 & 500 lbs.	1
	20657	LIFTWHEEL AND GEAR ASSEMBLY - 40 fpm, 250 & 300 lbs.	1
	32	20420	BRAKE ARMATURE
33	STATOR		
	20707	STATOR - 115-1-50/60 HOISTS	1
	20328	STATOR - 220-1-50 HOISTS	1
	20329	STATOR - 220-3-50/60 HOISTS	1
	20330	STATOR - 380-3-50, 415-3-50 & 460-3-60 HOISTS	1
	20344	STATOR - 575-3-60 HOISTS	1
	192039309	STATOR - 220/230-3-50/60 WITH PCB	1
	192039311	STATOR 380-3-50, 400-3-50, 415-3-50 WITH PCB	1
34	BRAKE FIELD (INCLUDES BRAKE COIL)		
	20659	BRAKE FIELD (INCLUDES BRAKE COIL) - 115-1-50/60 HOISTS	1
	20658	BRAKE FIELD (INCLUDES BRAKE COIL) - 220-1-50, 220-3-50/60, 380-3-50, 415-3-50 & 460-3-60 HOISTS	1
	20629	BRAKE FIELD (INCLUDES BRAKE COIL) - 575-3-60 HOISTS	1
	192039344	BRAKE FIELD - PCB	1
35	BRAKE END COVER SCREW		
	920715	BRAKE END COVER SCREW - HOISTS WITHOUT CONTACTOR	3
	20957	BRAKE END COVER SCREW - HOISTS WITH CONTACTOR	3
36	CUT-OUT DEVICE		
	20709	CUT-OUT DEVICE - 115-1-50/60 HOISTS	1
	20786	CUT-OUT DEVICE - 220-1-50, 230-1-60 HOISTS	1
37	CAPACITOR		
	20708	CAPACITOR - 115-1-50/60 HOIST	1
	20785	CAPACITOR - 220-1-50 HOIST	1

ITEM NO.	PART NUMBER	DESCRIPTION	QTY.
38	20714	DEAD END PLATE (DOUBLE CHAINED)	1
39	73715	DEAD END PLATE SCREW (DOUBLE CHAINED)	2
40	20717	POWER CORD GROMMET (NOT SHOWN)	1
41	POWER CORD		
	20635	POWER CORD - 115-1-50/60 HOISTS WITH CONTACTOR	1
	20608	POWER COR - 115-1-50/60 HOISTS WITHOUT CONTACTOR	1
	20633	POWER CORD - 220-1-50 HOISTS	1
	20628	POWER CORD - 220-3-50/60, 380-3-50, 415-3-60, 460-3-60 & 575-3-60 HOISTS	1
	192039303	PCB POWER CORD - "SHORT" 3'	1
	23657605	PCB POWER CORD - 5' - FOR 10' LIFT	1
	23657610	PCB POWER CORD - 10' - FOR 15' LIFT	1
	23657615	PCB POWER CORD - 15' - FOR 20' LIFT	1
42	20711	CONTROL CORD GROMMET (NOT SHOWN)	1
43	**	CONTROL STATION	A/R
44	PROTECTOR ASSEMBLY1		
	20665	PROTECTOR ASSEMBLY - 6 fpm, 1,000 lbs.	1
	20645	PROTECTOR ASSEMBLY - 8 fpm, 500 & 600 lbs.	1
	20660	PROTECTOR ASSEMBLY - 8 fpm, 1000 lbs.	1
	20665	PROTECTOR ASSEMBLY - 12 fpm 500 lbs.	1
	20638	PROTECTOR ASSEMBLY - 12 fpm, 600 lbs.	1
	20662	PROTECTOR ASSEMBLY - 12 fpm, 1000 lbs.	1
	20645	PROTECTOR ASSEMBLY - 16 fpm, 250 & 300 lbs.	1
	20660	PROTECTOR ASSEMBLY - 16 fpm, 500 lbs.	1
	20648	PROTECTOR ASSEMBLY - 20 fpm, 500 lbs	1
	20661	PROTECTOR ASSEMBLY - 20 fpm, 600 lbs.	1
	20638	PROTECTOR ASSEMBLY - 24 fpm, 250 & 300 lbs	1
	20662	PROTECTOR ASSEMBLY - 24 fpm, 500 lbs.	1
	20648	PROTECTOR ASSEMBLY - 40 fpm, 250 lbs	1
20661	PROTECTOR ASSEMBLY - 40 fpm, 300 lbs.	1	
45	CONTROL CORD ASSEMBLY		
	20607	CONTROL CORD ASSEMBLY - ORANGE CONTROL STATION 10 ft. lift	
	20615	CONTROL CORD ASSEMBLY - ORANGE CONTROL STATION 15 ft. lift	
	20616	CONTROL CORD ASSEMBLY - ORANGE CONTROL STATION 20 ft. lift	
	20642	CONTROL CORD ASSEMBLY - BLACK CONTROL STATION 10 ft. lift	
	20643	CONTROL CORD ASSEMBLY - BLACK CONTROL STATION 15 ft. lift	
	20644	CONTROL CORD ASSEMBLY - BLACK CONTROL STATION 20 ft. lift	
	192039304	CONTROL CORD ASSEMBLY - PCB CONTROL - Short 3' cord	
	23658206	CONTROL CORD ASSEMBLY - PCB CONTROL - 6' - 10' lift	
	23658211	CONTROL CORD ASSEMBLY - PCB CONTROL - 11' - 15' lift	
	23658216	CONTROL CORD ASSEMBLY - PCB CONTROL 16' - 20' lift	
	23654206	CONTROL CORD ASSEMBLY - CM ROCKET PENDANT - 10' lift	
	23654211	CONTROL CORD ASSEMBLY - CM ROCKET PENDANT - 15' lift	
23654216	CONTROL CORD ASSEMBLY - CM ROCKET PENDANT - 20' lift		

ITEM NO.	PART NUMBER	DESCRIPTION	QTY.
46	10001931B	LATCH TYPE SWIVEL HOOK – BLACK	1
47	10001878	LOWER HOOK BLOCK (1 REEVE)	2
48	10264605	CAP SCREW, SOCKET HEAD	2
49	82638	HOOK BLOCK NUT (1 REEVE)	2
50	20428	CHAIN STOP	2
51	25848	CHAIN STOP SCREW	2
52	982472	CHAIN STOP NUT	2
53	10001931B	LATCH TYPE SWIVEL HOOK – BLACK	1
54	192041692	HOOK BLOCK (2 REEVE)	2
55	****	BEARINGS/WASHERS/RINGS	A/R
56	82554	HOOK BLOCK CAP SCREW (2 REEVE)	2
57	82638	HOOK BLOCK NUT (2 REEVE)	2
58	88639	THRUST WASHER (2 REEVE)	2
59	20318	SHEAVE WHEEL SHAFT (2 REEVE)	1
60	20316	SHEAVE WHEEL (2 REEVE)	1
61	88641	BEARING - SHEAVE WHEEL (2 REEVE)	1
62	20650	LATCH HOOK ASSEMBLY RIGID	A/R
63	20713K	HOOK RETAINER & SCREW	1
64	10001297	LATCHLOK HOOK ASSEMBLY SWIVEL	A/R
65	10001130	LATCH HOOK ASSEMBLY SWIVEL	A/R
N/S	595522	HOOK LATCH KIT	1
66	FRAME SPACER		
	20333C	FRAME SPACER - ORANGE	1
	20333W	FRAME SPACER - WHITE	1
	20333Y	FRAME SPACER - YELLOW	1
67	20957	MOTOR COVER SCREW	3
68	20781	POWER CORD PLUG	1
69	20780	PLUG, CONTROL CORD	1
70	10001998	PCB - 48V	1
	10001999	PCB - 110V	1
71	10001979	PCB RETAINER	1
72	20777	OUTBOARD COMPONENT BRACKET	1
73	20778	INBOARD COMPONENT	1
74	20787	CONTACTOR 48V	1
	20814	CONTACTOR 110V	1
75	20789	DIODE S/A	1
76	20851	TRANSFORMER 48V	1
	20831	TRANSFORMER 110V	1
77	20861	VOLTAGE SUPPRESSOR	1
78	***	JUMPERS	A/R

A/R - As Requested - Contact Factory.
* Quantity is application dependent.
** See Control Station Section.
*** Contact Factory for Jumpers based on application.
**** Contact Factory for specific components.

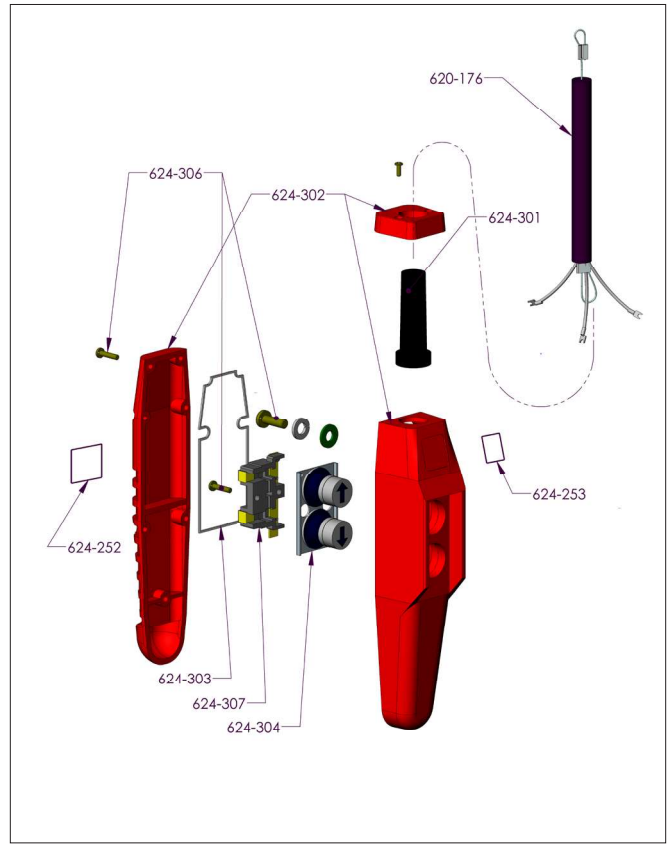
CONTROL STATIONS



CONTROL STATION (ORANGE) FOR USE ON 115 1-50/60 HOISTS WITHOUT CONTACTOR

PARTS LIST

Key No.	No. Part Name	Required	Part Number
620-186	Control station with retainer, screws and grommet	1	24807

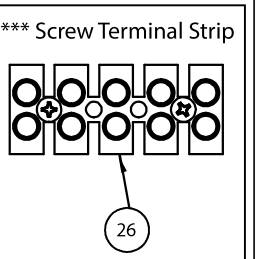
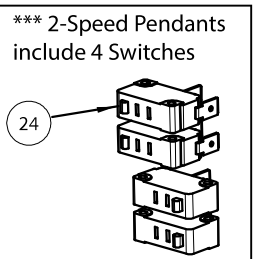
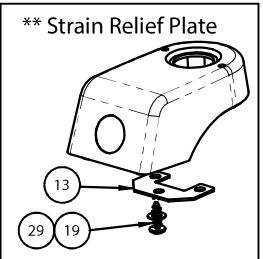
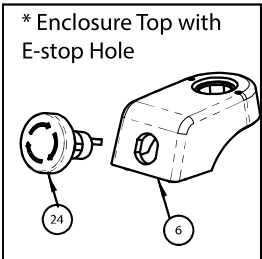
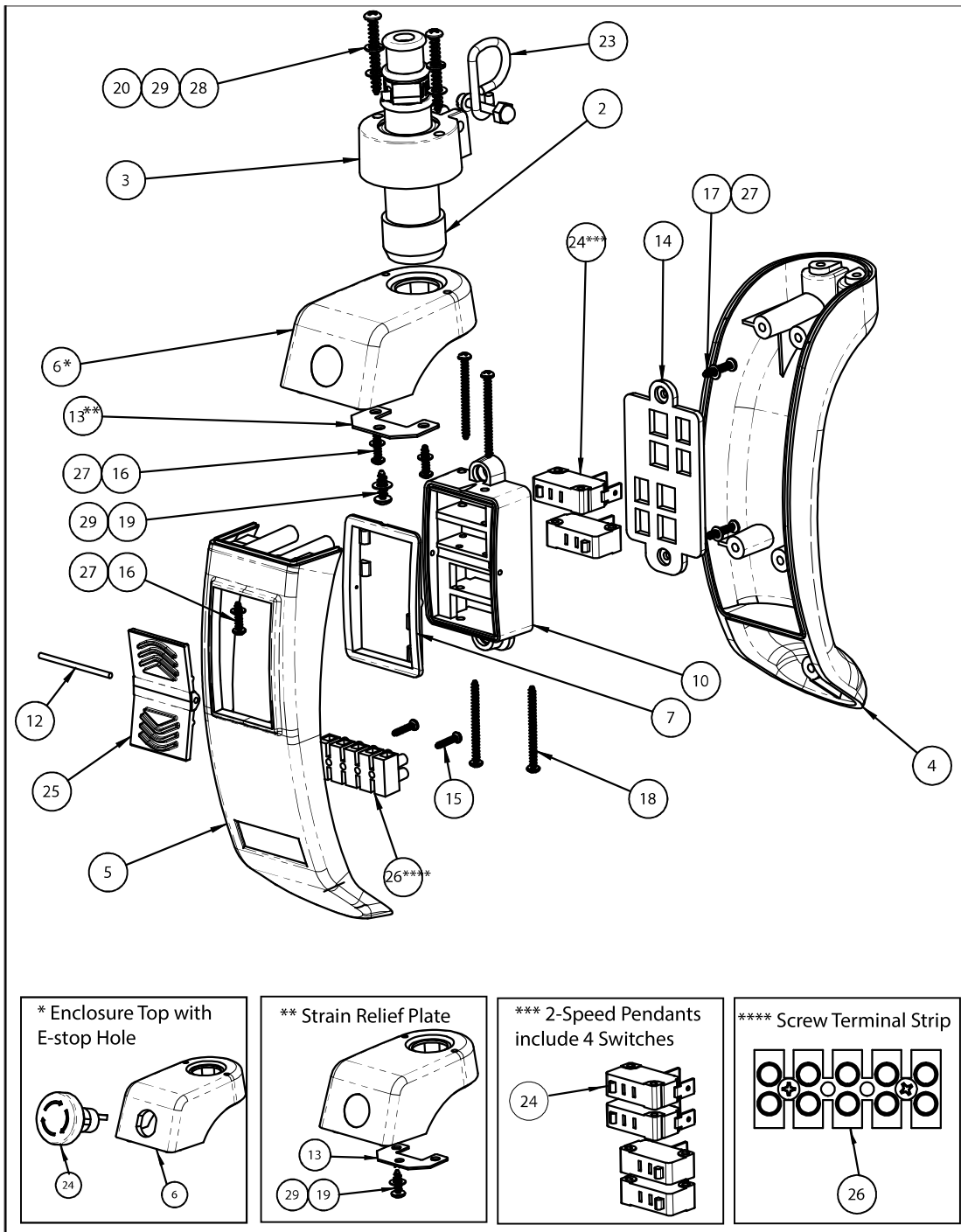


CONTROL STATION (BLACK) FOR USE ON 115-1-50/60 HOISTS WITH CONTACTOR, 220-1-50 AND THREE PHASE UNITS

CONTROL STATION

Key No.	No. Part Name	Required	Part Number
624-232	Control Station (Includes 624-301 thru 624-307)	1	36900B
624-252	Warning Label (Electrical)	1	24842
624-253	Manufacturer Label	1	28470
624-301	Control Station Grommet	1	36989
624-302	Control Station Housing	1	36998B
624-303	Gasket	1	36986
624-304	Control Station Button Assembly	1	36988
624-306	Control Station Parts Kit	1	36939
624-307	Contact Assembly (Includes 624-304)	1	36987
624-308	Warning Label	1	24845

CM ROCKET UNIVERSAL PENDANT



Rocket Universal Pendant Control	
Product Code	Description
ECUR-1S	Rocket Pendant Control - Single-Speed, No E-stop
ECUR-1SE	Rocket Pendant Control - Single-Speed with E-stop
ECUR-2S	Rocket Pendant Control - 2-Speed, No E-stop
ECUR-2SE	Rocket Pendant Control - 2-Speed with E-stop
ECUR-1S-25P	25 PACK: Rocket Pendant Control - Single-Speed, No E-stop
ECUR-1SE-25P	25 PACK: Rocket Pendant Control - Single-Speed with E-stop
ECUR-2S-25P	25 PACK: Rocket Pendant Control - 2-Speed, No E-stop
ECUR-2SE-25P	25 PACK: Rocket Pendant Control - 2-Speed with E-stop

Replacement Parts		
Product Code	Description	Qty
ECUR-0001	Strain Relief Kit	1
ECUR-0010	Switch Repair Kit, 2-Speed, 4 Switch	1
ECUR-0011	Switch Repair Kit, Single-Speed, 2 Switch	1
ECUR-0020	Enclosure Repair Kit, No E-Stop	1
ECUR-0021	Enclosure Repair Kit, With E-Stop	1
ECUR-0030	Label Kit	1
23608124	Emergency Stop Push Button	1
23608110	Rocket Bushing CBL 13.3-16.5mm	1

