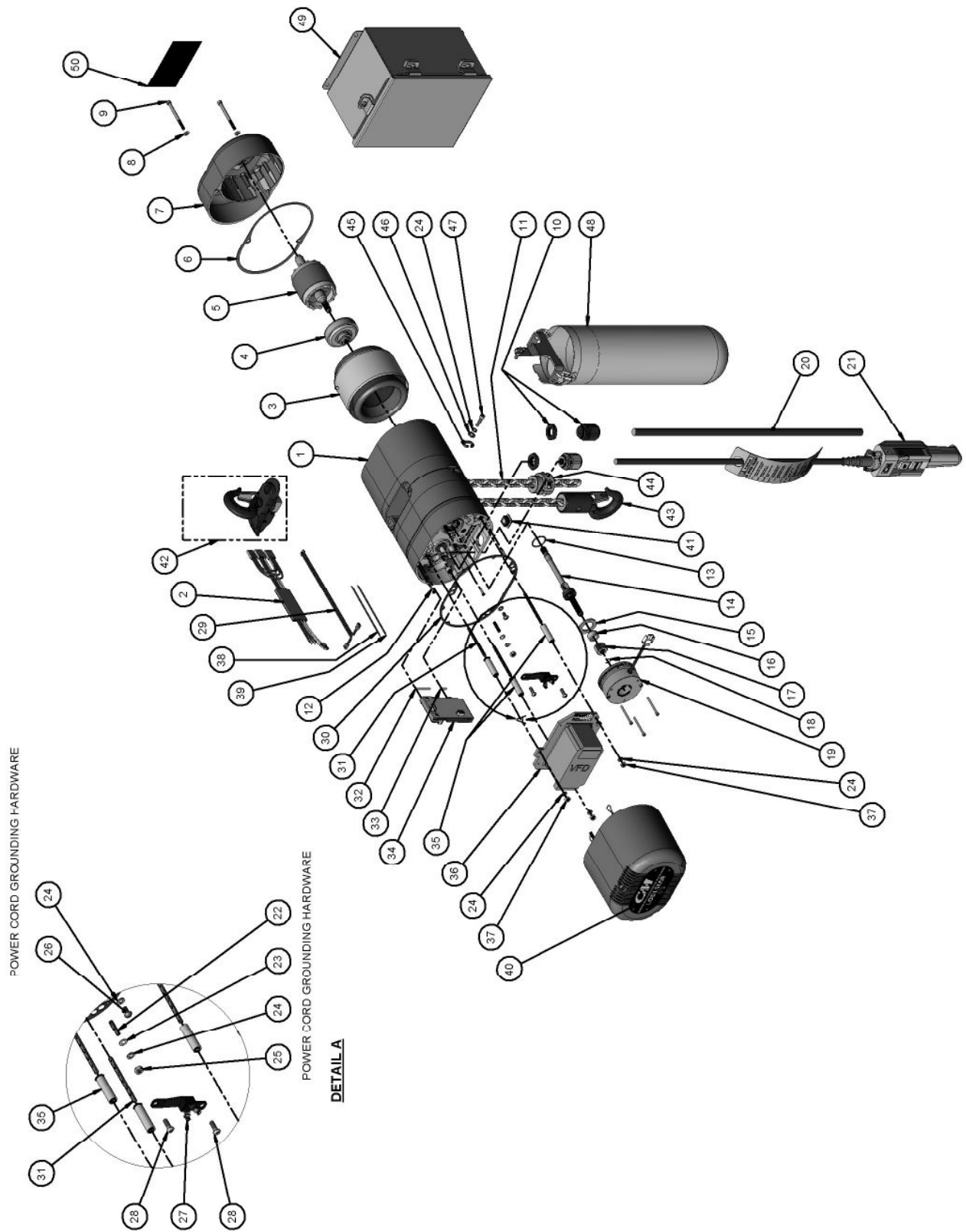


# MODELS A, AA, B, C, E, F & H



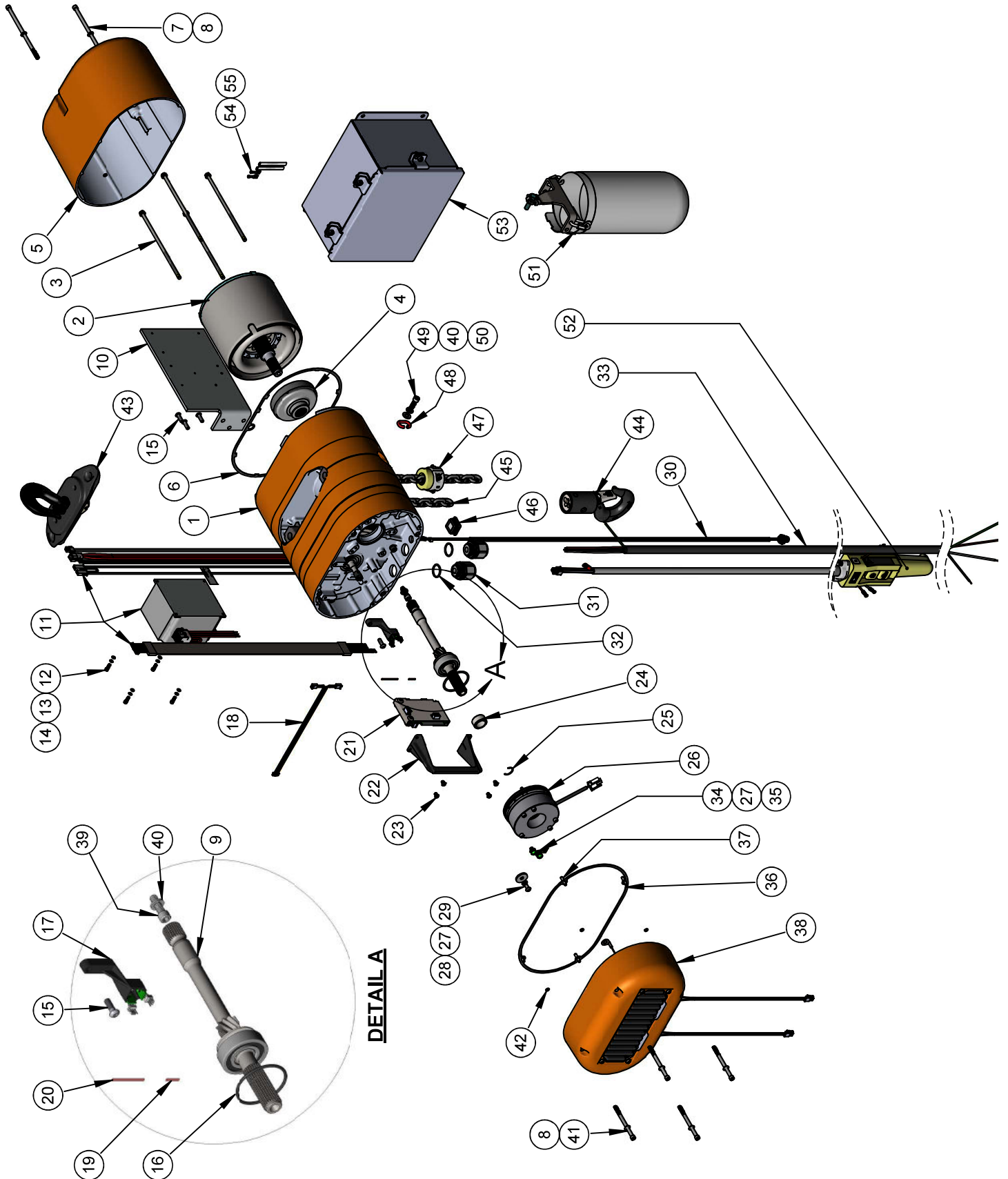
# MODELS A, AA, B, C, E, F & H

Item No.	Description	Model A	Model AA	Model B	Model C	Model E	Model F	Model H	Qty
1	GBOX-NH-MDL A/C-ORANGE	192045986	-	-	192045986	-	-	-	1
	GBOX-NH-MDL AA-ORANGE	-	192045990	-	-	-	-	-	
	GBOX-NH-MDL B/E/F/H-ORANGE	-	-	192045994	-	192045994	192045994	192045994	
2	WIRING HARNESS-230V UNITS	192045978							1
	WIRING HARNESS-460V & 575V UNITS	192045977							
3	STATOR	00000461							1
4	CLUTCH ASSEMBLY	C00000240	-	C00000240	-	C00000240	-	-	1
	CLUTCH ASSEMBLY	-	C00000241	-	C00000241	-	C00000241	C00000241	
5	ROTOR/SHAFT ASSY - 1/2 HP, 3Ø	00000260							1
6	MOTOR HOUSING COVER GASKET	27847							1
7	MOTOR HOUSING COVER	27058							1
8	MOTOR HOUSING COVER WASHER	982251							2
9	MOTOR HOUSING COVER SCREW	10001652							2
10	CORD GRIP 3/4" NPT	10001840							2
11	LOAD CHAIN For Models A, AA, B, C, F: Chain length = lift +1.25' For models E & H: Chain length = 2x lift + 2'	85944 (ZINC PLATED)							AS REQ'D
		85889 (BURNISHED AND OILED)							
		85965 (ZINC PHOSPHATE PLATED)							
		85915 (NICKEL PLATED)							
12	SPRING PIN	10001709							1
13	O-RING	10001355							1
14	DRIVE SHAFT ASS'Y V1-NH-DC-10T	10001348							1
15	SPACER	10001309							1
16	HUB SPACER V1 DC BRAKE	00001432							1
17	HUB, BRAKE	192042811							1
18	ROTOR CLIP RETAINING RING	10409710							1
19	BRAKE, 205VDC	192042664							1
20	POWER CORD, LS VS 16'	23659116							1
21	CORD & PENDANT ASSY	SEE CONTROL STATION SECTION							1
22	SET SCREW	987400							1
23	WASHER	927835							1
24	LOCKWASHER	982226							6
25	GROUND NUT	987401							1
26	GROUND SCREW	987827							1
27	LSVS V1 EPLS ENCODER	192046377							1
28	ENCODER MOUNTING SCREW	983656							2
29	HARNESS, EPLS, LODESTAR VS	192044241							1

## MODELS A, AA, B, C, E, F & H (CONT.)

Item No.	Description	Model A	Model AA	Model B	Model C	Model E	Model F	Model H	Qty
30	GASKET - V1 BACKFRAME COVER				10001344				1
31	ROD, 1/4-20 X 3.50 THREADED				192045461				3
32	ROD, FOAM RUBBER, Ø.125 X 1.57				192045457				1
33	ROD, FOAM RUBBER, Ø.125 X .62				192045455				1
34	SOLID STATE BRAKE RELAY-230V UNITS				192046018				1
	SOLID STATE BRAKE RELAY-460V & 575V UNITS				192046019				
35	STANDOFF				192045453				3
36	VFD-PLATE S/A-230V				192045999				1
	VFD-PLATE S/A-460V & 575V UNITS				192046000				
37	NUT				982514				3
38	JUMPER (B10)				192050183				1
39	JUMPER (B7)				192050182				1
40	BRAKE COVER-V1 S/A - ORANGE				192046013				1
41	DEAD END BLOCK HOLE PLUG	27223	27223	27223	27223	-	27223	-	1
41.1	UPPER SUSPENSION, SINGLE REEVED	2788NH	2788NH	2788NH	2788NH	-	2788NH	-	1
	UPPER SUSPENSION, DOUBLE REEVED		-	-	-	2789NH	-	2789NH	
42	UPPER SUSPENSION SCREW				987554				2
43	LOWER HOOK, SINGLE REEVED	302	302	302	302	-	302	-	-
	LOWER HOOK, DOUBLE REEVED		-	-	-	00000272B	-	00000272B	
44	CHAIN STOP KIT				24015K				1
45	LOOSE END LINK				27351				1
46	WASHER				954802				1
47	SCREW				10001696				1
48	CHAIN BAG KIT				SEE CHAIN CONTAINER SECTION				1
49	TRANSFORMER KIT-575V UNITS ONLY				11866310				1
50	CAPACITY LABEL-1/8T	00000581	00000581	-	-	-	-	-	1
	CAPACITY LABEL-1/4T	-	-	00000772	00000772	-	-	-	
	CAPACITY LABEL-1/2T	-	-	-	-	00000773	00000773	-	
	CAPACITY LABEL-1T	-	-	-	-	-	-	00000778	

# MODELS J, L, R, RT



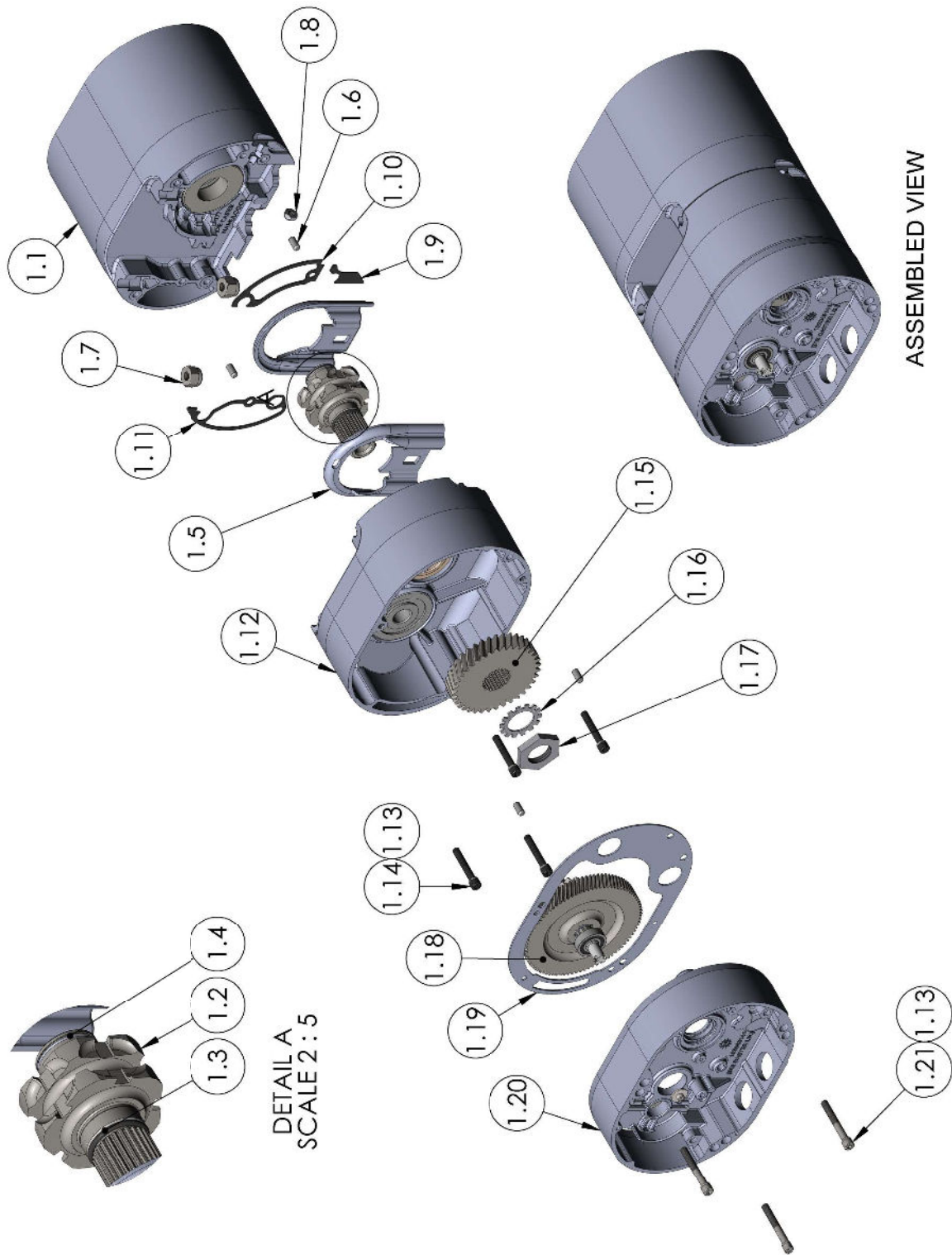
## MODELS J, L, R, RT (CONT.)

Item No.	Description	Model J	Model L	Model R	Model RT	Qty
1	GBOX-NH-MDL J - ORANGE	192056441	-	-	-	1
	GBOX-NH-MDL L/R - ORANGE	-	192056447	192056447	-	1
	GBOX-NH-MDL RT - ORANGE	-	-	-	192056453	1
2	MOTOR ASSY			00000440		1
3	MOTOR SCREW			87377		4
4	CLUTCH ASSEMBLY			00000242		1
5	MOTOR HOUSING COVER			36025C		1
6	GASKET MTR HOUSE COVER			35845		1
7	MOTOR HOUSING COVER SCREW			10001654		2
8	MOTOR HOUSING COVER WASHER			982251		6
9	DRIVE SFT ASSY V2-NH-DC-10T	10001351	-	-	-	1
	DRIVE SFT ASSY-V2-NH-DC-10T	-	10001350	10001350	10001350	1
10	AFD BRACKET-V2			00000399		1
11	VFD-HARNESS S/A-230V			192056461		1
	VFD-HARNESS S/A-460V			192056462		
12	SCREW, 8-32 X .50 ZINC SHCS			192046015		2
13	LOCKWASHER			957844		2
14	WASHER, #8 .032THK .3040D, FLAT			192046016		2
15	BHCS - 1/4-20 X .75 ~ UNC-2A			983656		4
16	O-RING BUNA-N 3MM X 52MM ID			10001392		1
17	LSVS V2 EPLS ENCODER			192056430		1
18	HARNESS, EPLS, LODESTAR VS			192044241		1
19	ROD, FOAM RUBBER, Ø.125 X .62			192045455		1
20	ROD, FOAM RUBBER, Ø.125 X 1.57			192045457		1
21	SOLID STATE BRAKE RELAY-230V			192046018		1
	SOLID STATE BRAKE RELAY-460V			192046019		
22	RELAY BOARD BRACKET			192056428		1
23	#10-32 x 5/16 BUTTON SKT HEAD			10001259		4
24	HUB SPACER V2 DC INTORQ BRAKE			00001433		1
25	ROTOR CLIP RETAINING RING			10409711		1
26	BRAKE, 205VDC, #8 INTORQ			192057128		1
27	LOCKWASHER 1/4 X .109 X .062			982226		7
28	WASHER, .281"IDX1"ODX.125"			192057418		1
29	SCREW SOCKET BUTTON HEAD			10565301		1
30	LSVS DATA PORT			192056468		1
31	CORD GRIP			23251011		2
32	O-RING BUNA-N 2.5MM X 23MM ID			10001839		2
33	POWER CORD, LS VS 16', V2			23671816		1

## MODELS J, L, R, RT (CONT.)

Item No.	Description	Model J	Model L	Model R	Model RT	Qty
34	WASHER 1/4 (.265) X .50 X .032			927835		2
35	SCREW 1/4-20 UNC-2A X 1/2"			987827		2
36	GASKET - V2 BACKFRAME COVER			10001345		1
37	PIN 3/16 X 7/8 SPRING			983784		4
38	BRAKE COVER-V2 S/A - ORANGE			192056414		1
39	5/16-18 X 1" SOCKET HEAD CAP SCREW			10001697		1
40	LOCKWASHER, 5/16 X .125 X .078			945851		2
41	1/4-20 X 3.5" SKT HD CAP SCREW			10001655		4
42	O-RING 008			00001747		6
43	UPPER SUSPENSION, SINGLE REEVED	3651NH	3651NH	-	-	1
	UPPER SUSPENSION, DOUBLE REEVED	-	-	3658NH	-	1
	UPPER SUSPENSION, TRIPLE REEVED	-	-	-	9559NH	1
44	LOWER HOOK, SINGLE REEVED	35651	35651	-	-	1
	LOWER HOOK, DOUBLE REEVED	-	-	192045793	-	1
	LOWER HOOK, TRIPLE REEVED	-	-	-	36607	1
45	LOAD CHAIN	85949 (ZINC PLATED)				1
		85979 (BURNISHED AND OILED)				1
		85966 (ZINC PHOSPHATE PLATED)				1
		85916 (NICKEL PLATED)				1
46	DEAD END BLOCK HOLE PLUG	35291	35291	-	-	1
47	KIT, V2 CHAIN STOP			24016K		1
48	LOOSE END LINK			35367		1
49	5/16-18 X 1-1/4" SOCKET HEAD CAP			10001698		1
50	WASHER 5/16 X 11/16 X .065 SAE			954807		1
51	KIT, CHAIN BAG 11"LG.	3814PNH	3814PNH	-	-	1
	KIT, CHAIN BAG 17"LG.	-	-	3815PNH	-	1
	KIT, CHAIN BAG 23"LG.	-	-	-	3811PNH	1
52	CORD & PENDENT ASSY	SEE CONTROL STATION SECTION				1
53	TRANSFORMER KIT - 575V UNITS ONLY			11870010		1
54	TERMINAL			983638		2
55	LINE CONNECTOR			982158		2
56	CAPACITY INSERT- ½ TON	35209NH	-	-	-	1
	CAPACITY INSERT- 1 TON	-	35252NH	-	-	1
	CAPACITY INSERT- 2 TON	-	-	35259NH	-	1
	CAPACITY INSERT- 3 TON	-	-	-	35261NH	1

**MODELS A, AA, B, C, E, F & H**

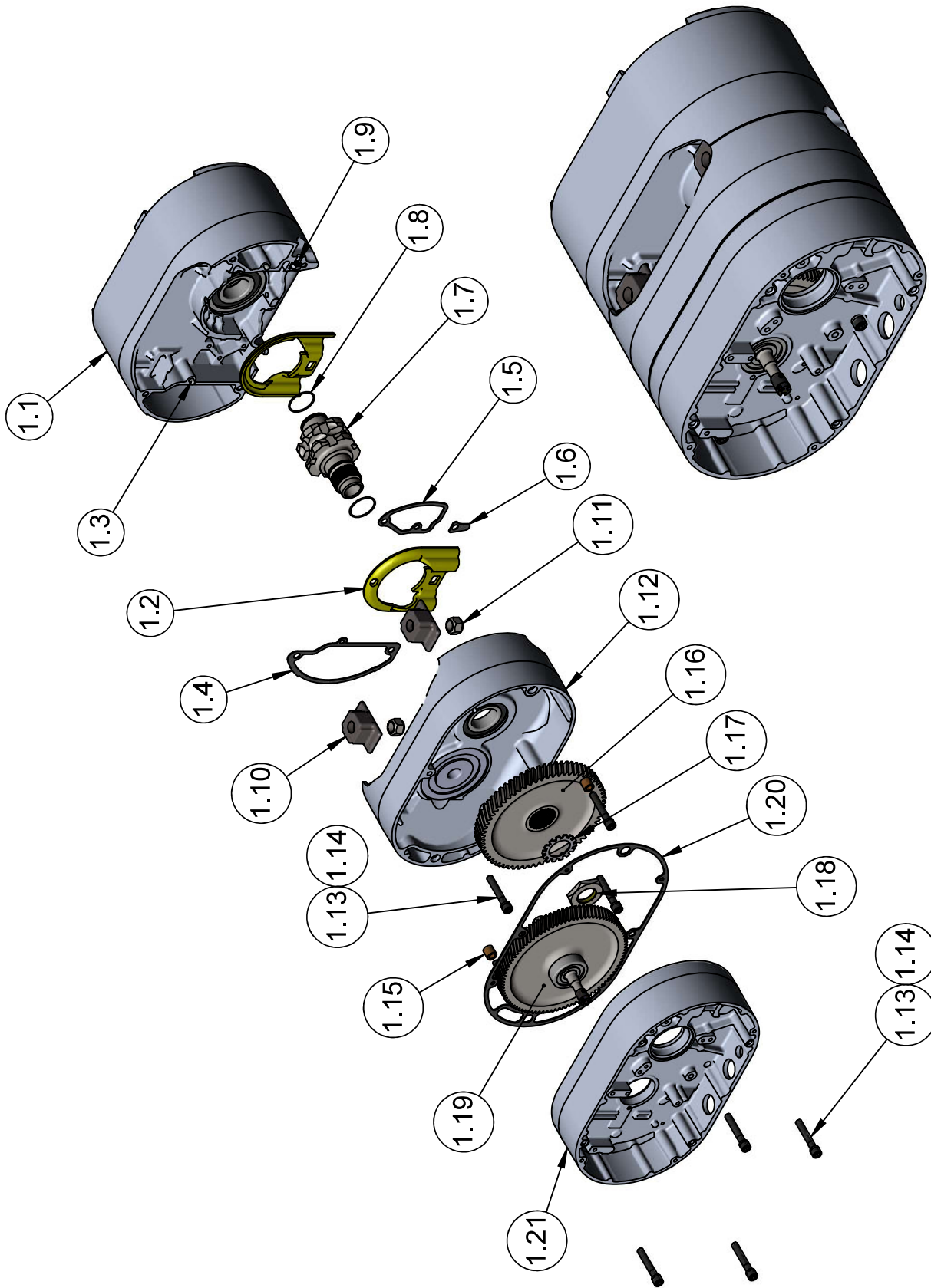


# MODELS A, AA, B, C, E, F & H

Item No.	Part No.	Description	Models A & C	Model AA	Models B, E, F & H
1	192045986	COMPLETE GEARBOX ASS'Y	1	-	-
	192045990		-	1	-
	192045994		-	-	1
1.1	00000504C	V1 MOTOR HSG S/A-ORANGE	1	1	1
1.2	10001591	LIFTWHEEL S/A - V1	1	1	1
1.3	10001354	O-RING BUNA-N AS568A-122	1	1	1
1.4	10001388	O-RING BUNA-N 1.5MM X 27MM ID	1	1	1
1.5	10001110	V1 CHAIN GUIDE COATED	2	2	2
1.6	82354	1/4 DOWEL PIN	4	4	4
1.7	927755	ELASTIC STOP NUT	2	2	2
1.8	82638	NUT-1/4-20 UNC-2B HEX-UNITORQ	1	1	1
1.9	00000191	GASKET-MOTOR HOUSING-V1	1	1	1
1.10	00000190	GASKET-MOTOR HOUSING-V1	1	1	1
1.11	00000189	GASKET-MTR HSG-WIREWAY-V1	1	1	1
1.12	00000502C	V1 GEAR HSG S/A-ORANGE	-	-	1
	00000503C		1	1	-
1.13	940802	LOCKWASHER 1/4 X .078 THICK	7	7	7
1.14	28830	SCREW 1/4-20 UNC-2A X 1 5/8	4	4	4
1.15	00000159	LIFTWHEEL GEAR-36 TEETH	-	1	-
	00000160	LIFTWHEEL GEAR-45 TEETH	1	-	-
	00000161	LIFTWHEEL GEAR-59 TEETH	-	-	1
1.16	00000199	WASHER-LOCK-EXTERNAL TOOTH-1"	1	1	1
1.17	00000198	NUT-1"-12-THIN	1	1	1
1.18	192046001	INT SHAFT S/A 88T/8T	-	-	1
	192046003	INT SHAFT S/A 88T/12T	1	-	-
	192046005	INT SHAFT S/A 88T/18T	-	1	-
1.19	10001346	GASKET - V1 GEARBOX	1	1	1
1.20	192046009	BACK FRAME-V1 S/A - ORANGE	1	1	1
1.21	982699	SCREW 1/4-20 UNC-2A X 2"	3	3	3



# MODELS J, L, R & RT

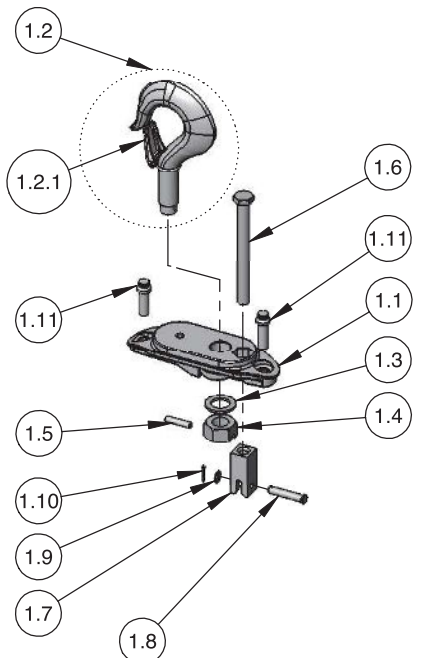


ASSEMBLED VIEW

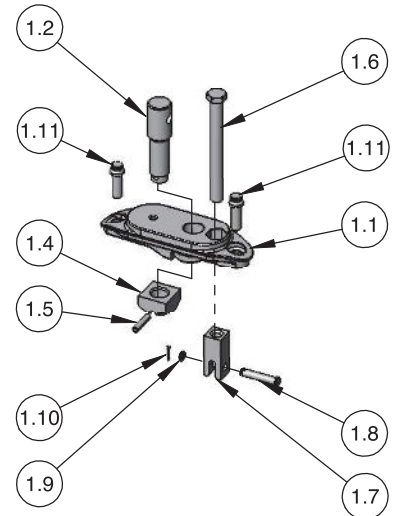
## MODELS J, L, R & RT

Item No.	Part No.	Description	Models J	Model L & R	Models RT
1	192056441	COMPLETE GEARBOX ASSEMBLY	1	-	-
	192056447		-	1	-
	192056453		-	-	1
1.1	192056453	V2 MOTOR HSG S/A - ORANGE	1	1	-
	00000513C	V2 MOTOR HSG S/A - ORANGE	-	-	1
1.2	10001112	CHAIN GUIDE-COATED-V2	2	2	2
1.3	82354	1/4 DOWEL PIN	2	2	2
1.4	00000193	GASKET-MTR HOUSING-WIREWAY-V2	1	1	1
1.5	00000194	GASKET-MOTOR HOUSING-V2	1	1	1
1.6	00000549	GASKET-MOTOR HOUSING-V2	1	1	1
1.7	10001592	LIFT-WHEEL S/A - V2	1	1	1
1.8	10001390	O-RING BUNA-N 1.5MM X 32MM ID	2	2	2
1.9	82639	NUT-5/16-18 UNC-2B HEX	1	1	1
1.10	35066	SUSPENSION ADAPTER ANCHOR	2	2	2
1.11	935791	ELASTIC STOP NUT	2	2	2
1.12	00000507C	V2 GEAR HOUSING S/A	1	1	-
	00000512C	V2 GEAR HOUSING S/A -3R	-	-	1
1.13	982682	SOCKET HEAD CAP SCREW	8	8	8
1.14	940830	LOCKWASHER 5/16 X .047 X.078	8	8	8
1.15	35768	DOWEL, BACK FRAME	2	2	2
1.16	35768	LIFT-WHEEL GEAR-66 TEETH	1	1	1
1.17	986276	WASHER-LOCK-EXT TOOTH-1 1/8"	1	1	1
1.18	35773	NUT-1 1/8"-12-THIN	1	1	1
1.19	192056437	INT SHAFT S/A - 47T/8T	1	-	-
	192056438	INT SHAFT S/A - 92T/8T	-	1	1
1.20	00000192	GASKET-GEAR HOUSING-V2	1	1	1
1.21	192056424	V2 BACKFRAME-MACHINED	1	1	1

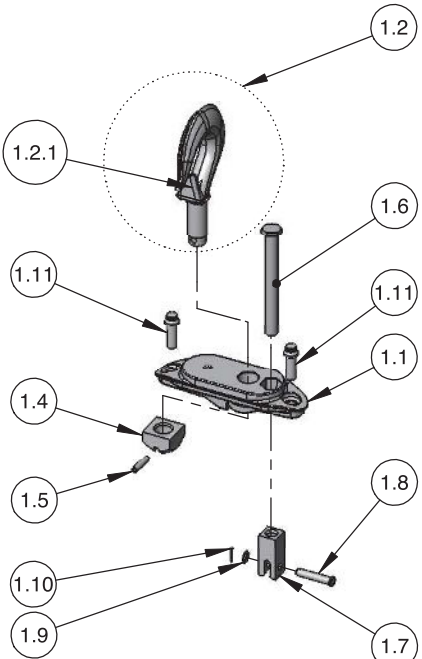
# UPPER SUSPENSIONS



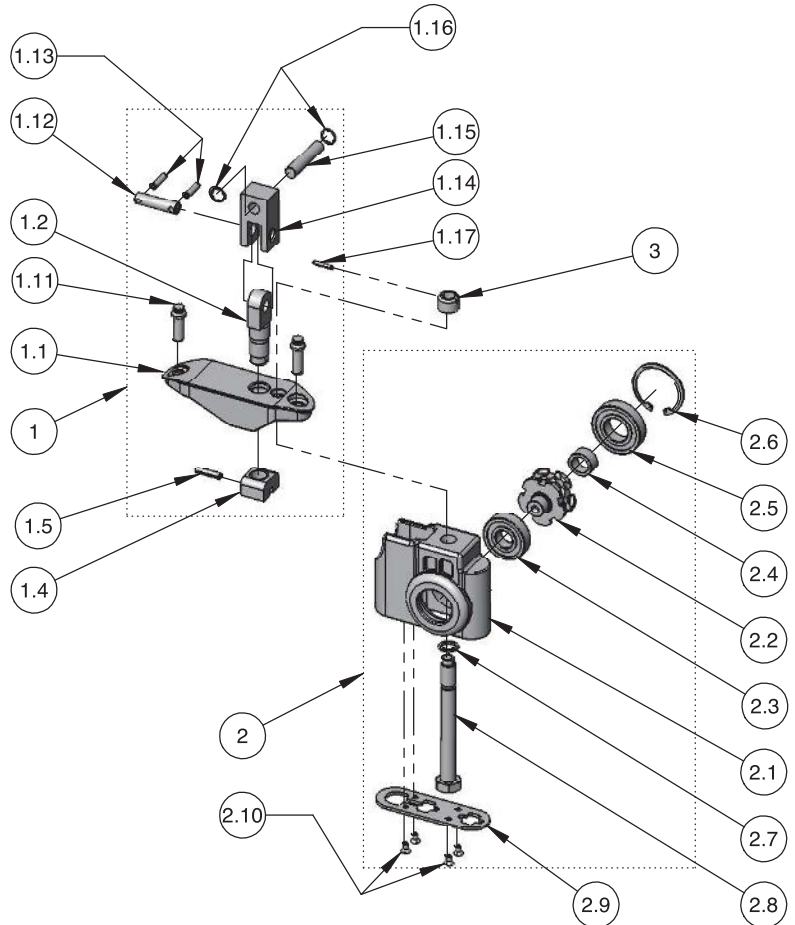
**SWIVEL HOOK ASSEMBLY**



**LUG ASSEMBLY**



**RIGID HOOK ASSEMBLY**



**TRIPLE REEVED LUG ASSEMBLY**

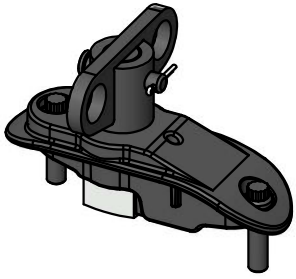
# UPPER SUSPENSIONS

Item No.	Description	Part Numbers					QTY.
		MODELS A, AA, B, C, F	MODELS E & H	MODELS J & L	MODEL R	MODEL RT	
1	SWIVEL SUSPENSION ASSEMBLY - W/ LATCH TYPE HOOK	2792NH	2793NH	3661NH	3660NH	9557NH	1
	SWIVEL SUSPENSION ASSEMBLY - W/ LATCHLOK TYPE HOOK	2796NH	-*	3662NH	3663NH	-*	
	RIGID SUSPENSION ASSEMBLY - W/ LATCH TYPE HOOK	2788NH	2789NH	3651NH	3658NH	9559NH	
	RIGID SUSPENSION ASSEMBLY - W/ LATCHLOK TYPE HOOK	2790NH	-*	3652NH	-*	-*	
	LUG SUSPENSION FOR MOTOR DRIVEN TROLLEY	2992NH	2993NH	3679NH	3668NH	9561NH	
	LUG SUSPENSION FOR LOW HEADROOM TROLLEY	2778NH	2779NH	3677NH			
1.1	SUSPENSION ADAPTER	00000218B	00000223B	00000220B	00000221B	00000222B	1
1.2	UPPER HOOK SUB-ASSEMBLY - LATCH TYPE	28689B	28697B	35617B	35616B	36613B	1
	UPPER HOOK SUB-ASSEMBLY - LATCHLOK TYPE	28643	-*	36678	36680	-*	
	SUSPENSION LUG FOR MOTOR DRIVEN TROLLEY	27454	27455	35459	35457	36356	
	SUSPENSION LUG FOR LOW HEADROOM TROLLEY	27450	27452	35456			
1.2.1	LATCH KIT	45661	45661	45662	45663	45663	-**
1.3	THRUST WASHER (FOR SWIVEL SUSPENSIONS ONLY)	27786	45930	45930	45918	-	1
1.4	UPPER HOOK COLLAR FOR SWIVEL SUSPENSIONS	27350	45385	35042	35041	36352	1
	UPPER HOOK COLLAR FOR RIGID HOOK AND LUG SUSPENSIONS	27372	27373	35458	35426	36360	
1.5	SPRING PIN	27805	45941	983764	983762	983762	1
1.6	DEAD END BOLT	-	89508	-	35957	-	1
1.7	DEAD END BLOCK	-	27397	-	35418	-	1
1.8	DEAD END PIN	-	82320	-	82314	-	1
1.9	WASHER	-	987878	-	987877	-	1
1.10	COTTER PIN	-	988330	-	988330	-	1
1.11	SUSPENSION SCREW	987554	987554	36849	36849	36849	2
1.12	SUSPENSION LUG SUPPORT PIN	-	-	-	-	36366	1
1.13	PIN RETAINER	-	-	-	-	983760	2
1.14	SHACKLE	-	-	-	-	36357	1
1.15	SHACKLE SUPPORT PIN	-	-	-	-	36363	1
1.16	RING RETAINER	-	-	-	-	36867	2
1.17	SHEAVE STUD PIN	-	-	-	-	983791	1
2	UPPER SHEAVE HANGER S/A	-	-	-	-	00000285C	1
2.1	UPPER SHEAVE HANGER	-	-	-	-	00000281C	1
2.2	SHEAVE	-	-	-	-	00000274	1
2.3	BEARING 6305ZZ	-	-	-	-	83674	1
2.4	PILOT BUSHING	-	-	-	-	00000284	1
2.5	BEARING 6207ZZ	-	-	-	-	83669	1
2.6	RETAINING RING	-	-	-	-	46800	1
2.7	WASHER	-	-	-	-	36370	1
2.8	SHEAVE STUD	-	-	-	-	36372	1
2.9	CLOVER LEAF PLATE	-	-	-	-	00000282B	1
2.10	SCREW	-	-	-	-	936823	4
3	SHEAVE STUD NUT	-	-	-	-	00000289	1

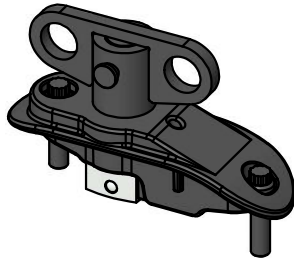
\*Contact factory for Latchlok hooks and assemblies

\*\* Latch Type hooks assemblies come with latches installed

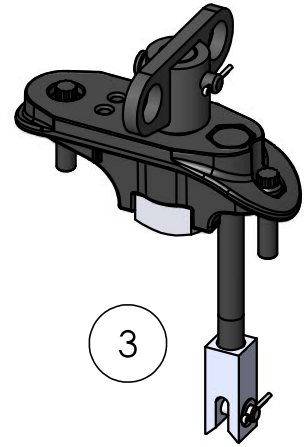
**UPPER SUSPENSIONS  
UNIVERSAL TROLLEY MODELS A, AA, B, C, E, F & H**



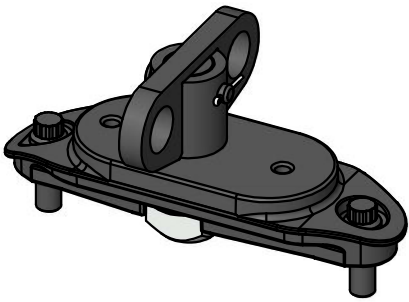
1



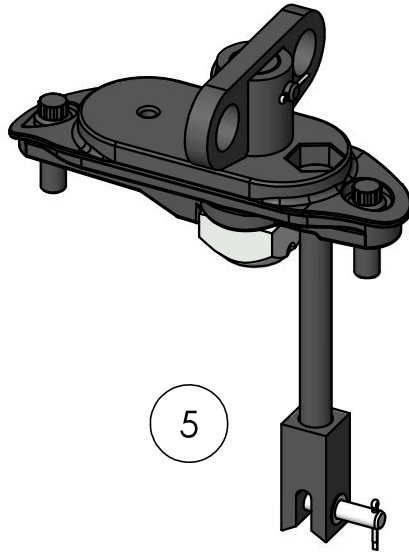
2



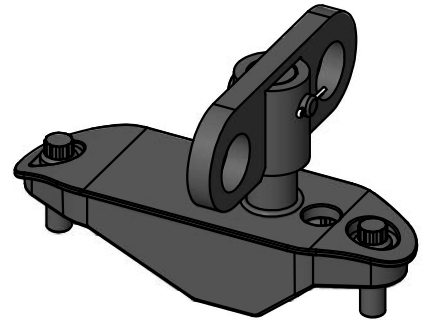
3



4



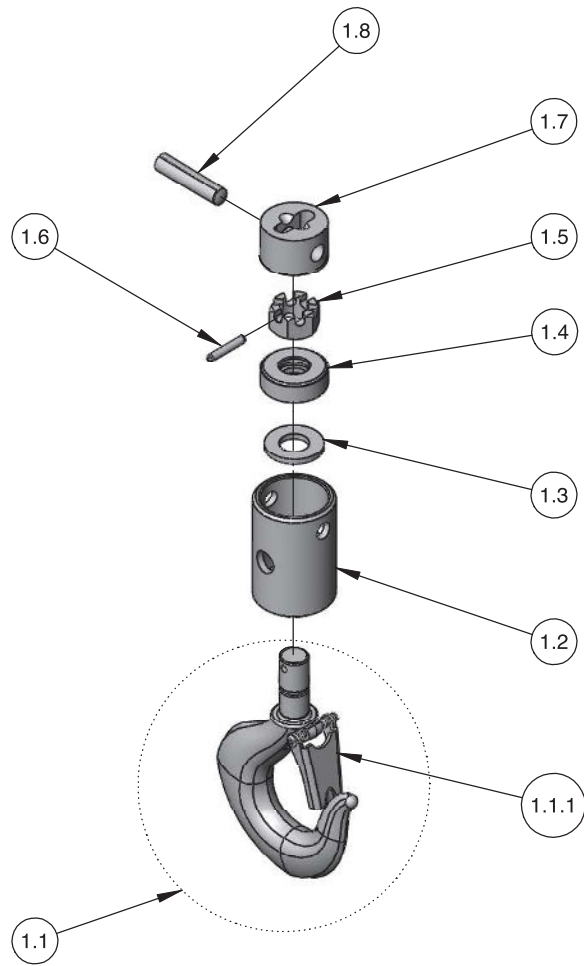
5



6

Item No.	Description	Models	Reeving	Part Number
1	UT 1/2 TON SUSPENSION KIT - PARALLEL MOUNT ONLY	A, AA, B, C & F	1	2992NHUT
2	UT 1/2 TON SUSPENSION KIT - CROSS MOUNT ONLY	A, AA, B, C & F	1	2992NHUTC
3	UT 1 TON SUSPENSION KIT - CROSS OR PARALLEL	E & H	2	2993NHUT
4	UT 1 TON SUSPENSION KIT - CROSS OR PARALLEL	J & L	1	3677NHUT
5	UT 2 TON SUSPENSION KIT - CROSS OR PARALLEL	R	2	3668NHUT
6	UT 3 TON SUSPENSION KIT - CROSS OR PARALLEL	RT	3	9561NHUT

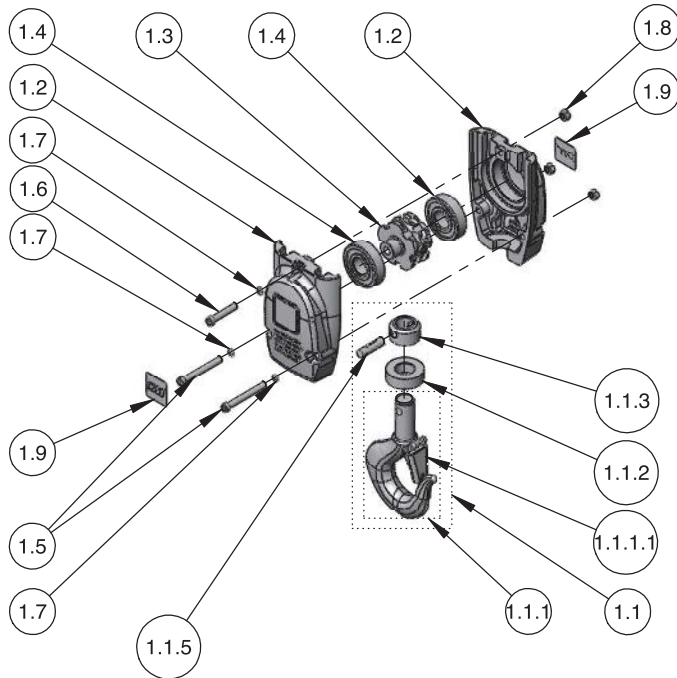
# LOWER HOOK BLOCKS SINGLE REEVED



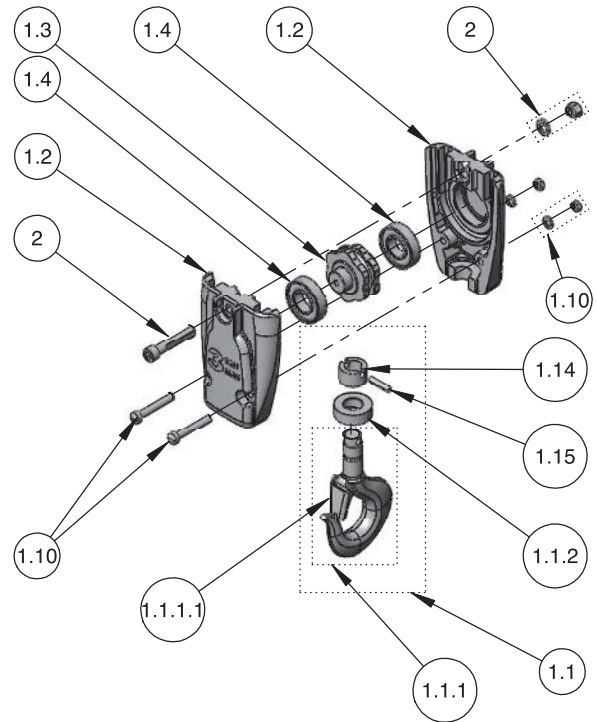
Item No.	Description	SINGLE-REEVED MODELS		Qty.
		A, AA, B, C, F	J & L	
1	LOWER HOOK BLOCK ASSEMBLY-COMPLETE WITH LATCH TYPE HOOK	*28683	*35651	1
1.1	LOWER HOOK WITH LATCH	28686	35611	1
	LATCHLOK TYPE HOOK	28604	28604	
1.1.1	LATCH KIT	45661	45662	1
1.2	LOWER HOOK BODY	45401B	35370	1
1.3	LOWER HOOK WASHER	945921	945921	1
1.4	LOWER HOOK THRUST BEARING	88485	88485	1
1.5	LOWER HOOK NUT	982526	982526	1
1.6	LOWER HOOK NUT PIN	983772	983772	1
1.7	LOWER HOOK CHAIN BLOCK	28007	35026	1
1.8	LOWER HOOK CHAIN BLOCK PIN	45943	35790	1

\*Contact CM for Latchlok part number

## LOWER HOOK BLOCKS DOUBLE & TRIPLE REEVED



**DOUBLE-REEVED**



**TRIPLE-REEVED**

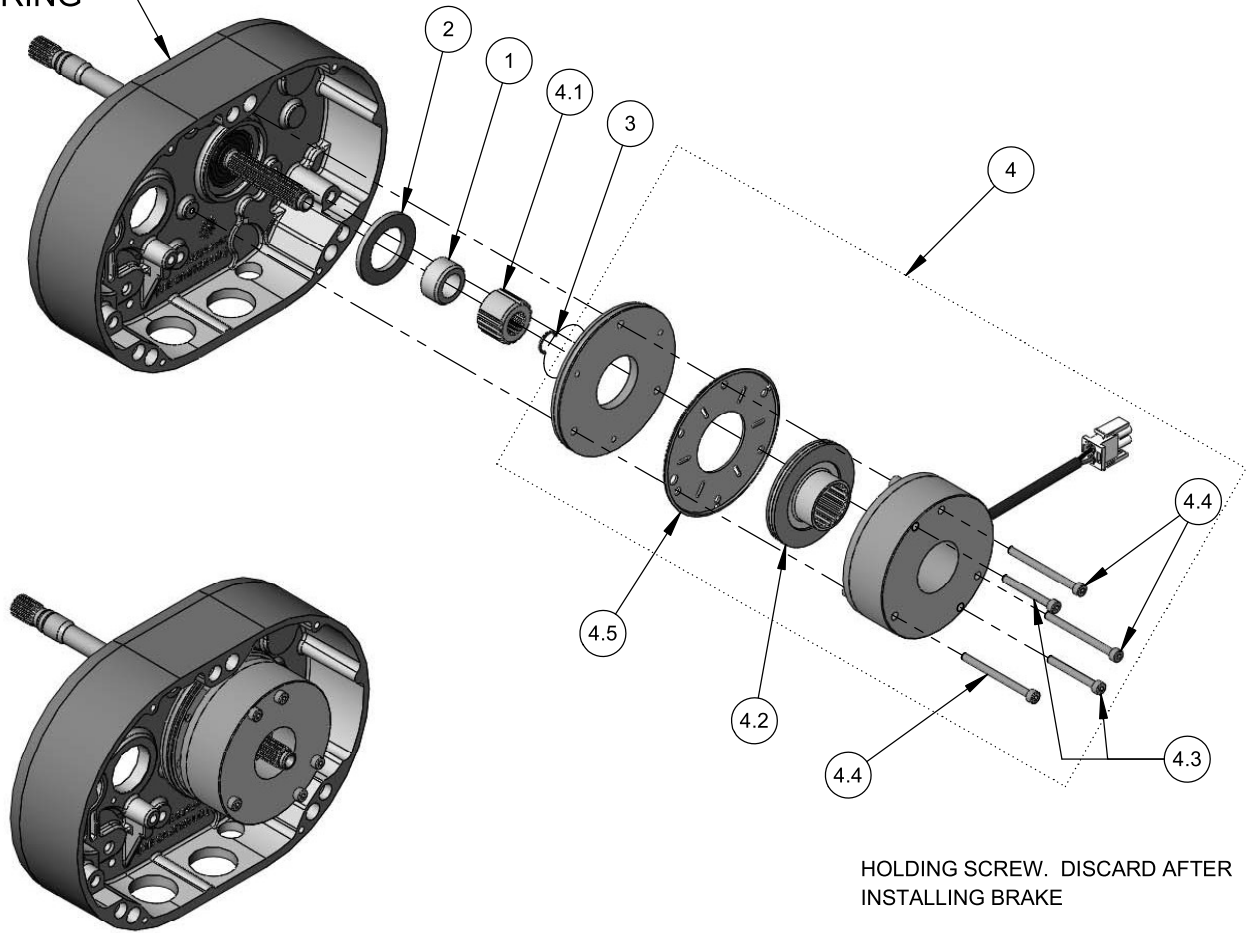
## LOWER HOOK BLOCKS DOUBLE & TRIPLE REEVED

Item No.	Description	DOUBLE-REEVED MODELS		TRIPLE REEVED MODELS	Qty.
		E, H	R	RT	
1	LOWER HOOK BLOCK ASSEMBLY-COMLETE WITH LATCH TYPE HOOK	*00000272B	*00000277B	*36607	1
1.1	LOWER HOOK ASSEMBLY WITH LATCH AND BRG	28665	35645	36606	1
	LATCHLOK TYPE HOOK ASSEMBLY WITH BRG	-	-	-	
1.1.1	LOWER HOOK WITH LATCH	28687B	35612B	36353B	1
	LATCHLOK TYPE HOOK	28603	36681	*	
1.1.1.1	LATCH KIT	45662	45663	45663	1
1.1.2	LOWER HOOK THRUST BEARING	88478	88505	88505	1
1.1.3	LOWER HOOK COLLAR	45385	35369	-	1
1.1.4	LOWER HOOK NUT	-	-	36352	1
1.1.5	LOWER HOOK PIN	45941	45946	983762	1
1.2	HOOK BLOCK (ORDER IN PAIRS)	00000271B	00000276B	36010B	2
1.3	HOOK BLOCK SHEAVE	00000273	00000274	36351	1
1.4	HOOK BLOCK SHEAVE BEARING	88429	83674	83670	2
1.5	HOOK BLOCK SCREW-LONG	982066	982374	-	2
1.6	HOOK BLOCK SCREW-SHORT	986191	982370	-	1
1.7	HOOK BLOCK LOCK WASHER	940802	940830	-	3
1.8	HOOK BLOCK NUT	982514	982445	-	3
1.9	HOOK BLOCK LABEL	00000766	00000766	-	2
1.10	HOOK BLOCK SCREWS WITH NUTS AND LOCK WASHERS (2 EACH)	-	-	C245	1
2	DEAD END SCREW WITH NUT AND LOCK WASHER	-	-	C249	1

\*Contact CM for Latchlok part number

# DC BRAKE

BACK FRAME  
w/ DRIVE SHAFT  
& O-RING

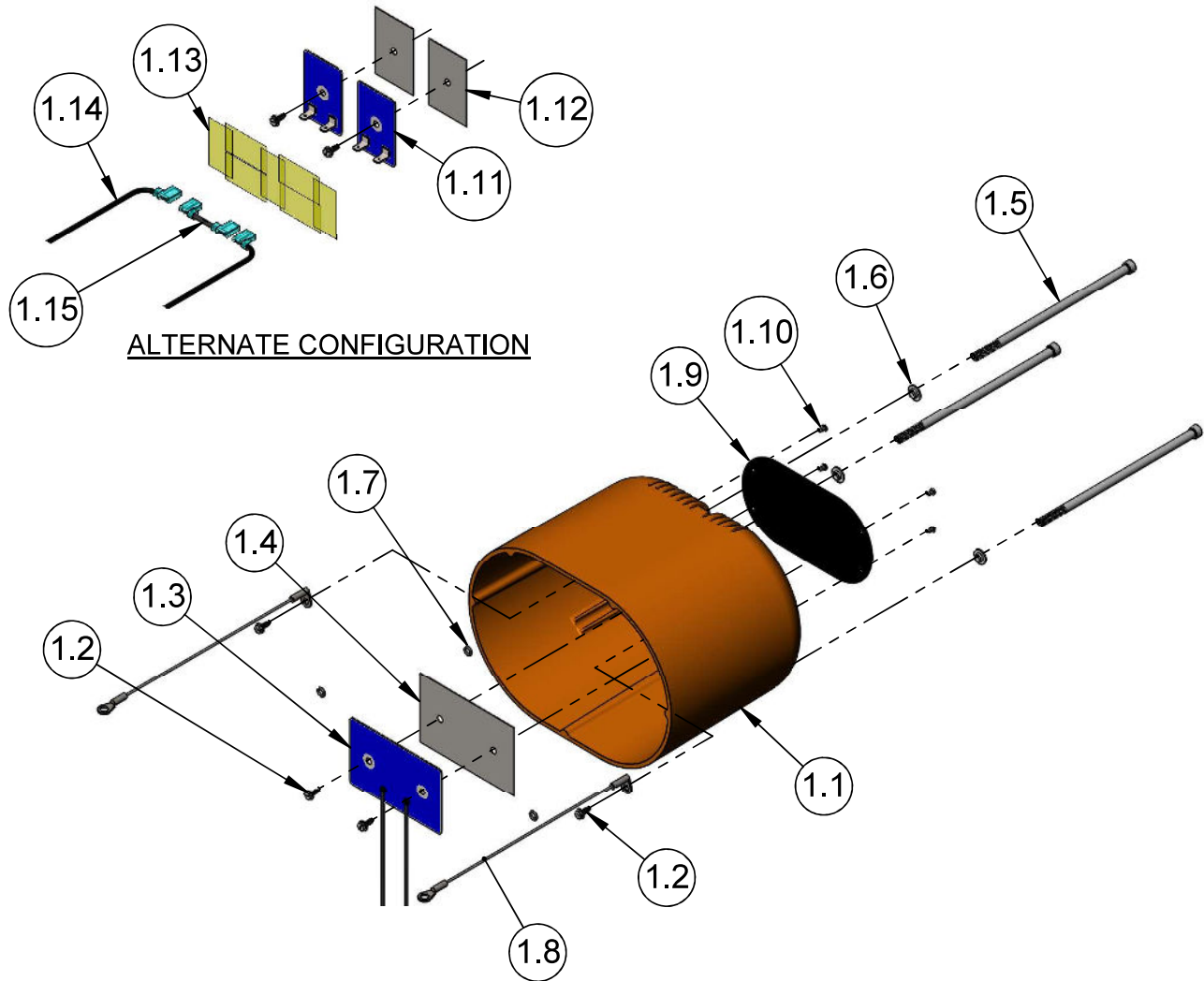


## ASSEMBLED VIEW

Item No.	Description	Models A, AA, B, C, E, F & H	Models J, L, R & RT	Qty.
1	SPACER	10001309	-	1
2	HUB SPACER	00001432	00001433	1
3	ROTOR CLIP RETAINING RING	10409710	10409711	1
4	BRAKE, 205VDC	192042664	192057127	1
4.1	HUB, BRAKE, INTORQ	192042811	00001431	1
4.2	FRICTION DISC (ROTOR)	192043932	10001253	1
4.3	RETAINING SCREW	192043929	192059433	2
4.4	MOUNTING SCREW	192043930	192059432	3
4.5	FRICTION PLATE	192043933	00001437	1

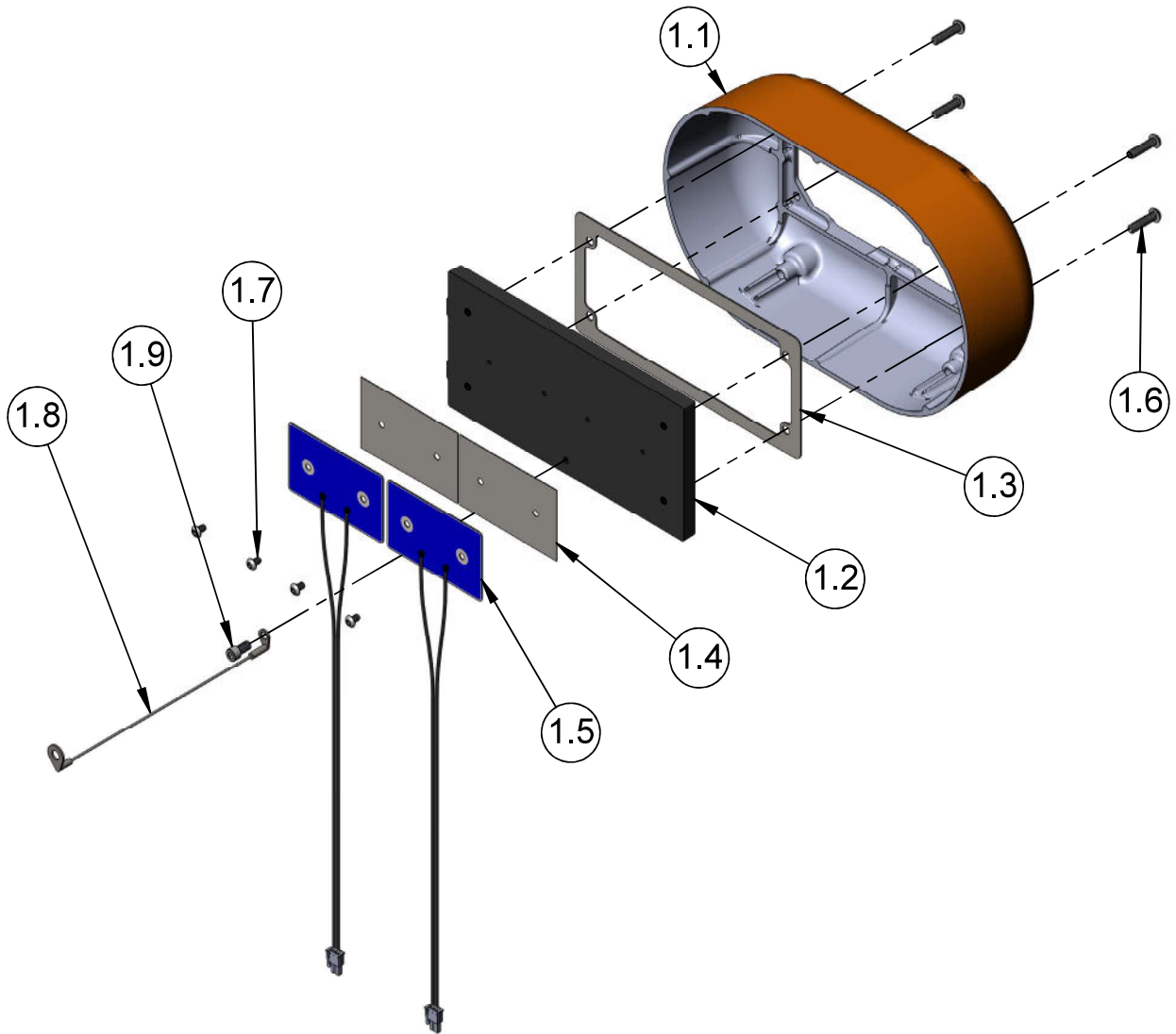


# BACKFRAME COVER ASSEMBLY MODELS A, AA, B, C, E, F & H



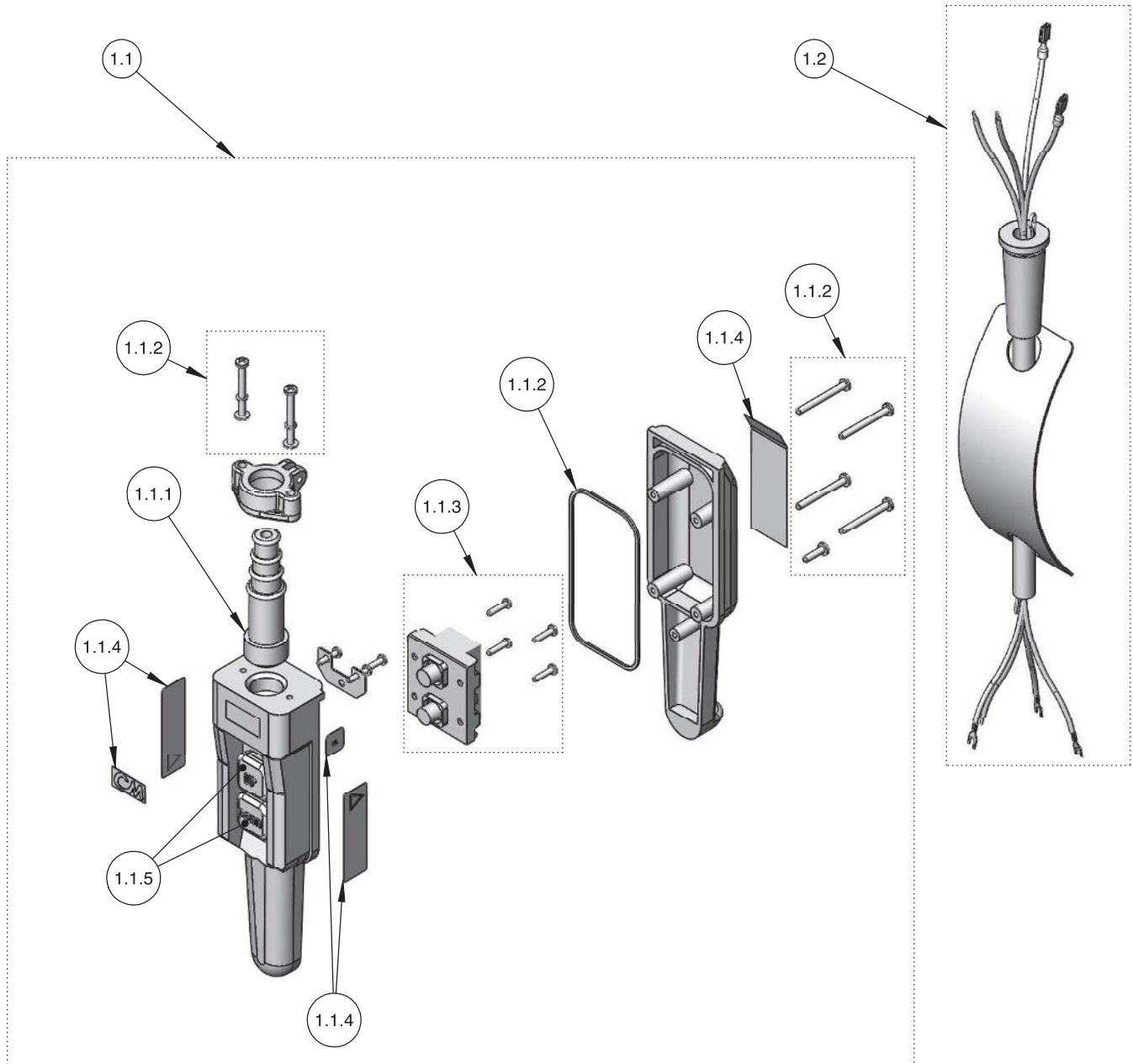
Item No.	Description	Primary Configuration	Alternate Configuration	Qty.
1	BRAKE COVER-V1 S/A	192046011		1
1.1	ENDCOVER, V1 BRAKE, MACH.	192042381		1
1.2	SCREW, HEX HEAD, 8-32 THRD	192045463		4
1.3	RESISTOR, DYNAMIC BRAKING - 300Ω	192056465	-	1
1.4	THERMAL PAD	192056427	-	1
1.5	1/4-20 X 6.5" SKT HD CAP SCREW	10001653		3
1.6	WASHER - .252 ID X .19 WALL	982251		3
1.7	O-RING 008	1747		3
1.8	LANYARD, EYE TO 90° EYE	192045460		2
1.9	LABEL, LODESTAR VS, V1	192045464		1
1.10	LABEL SCREW, #4-24 X .19" LONG	10001686		4
1.11	RESISTOR, DB, 200W, 150Ω	-	192043818	2
1.12	THERMAL PAD	-	192043819	2
1.13	TAPE, KAPTON, 1" X 0.0025"	-	192045454	7
1.14	JUMPER - DBR LEAD	-	192045458	2
1.15	JUMPER - DBR	-	192045459	1

# BACKFRAME COVER ASSEMBLY MODELS J, L, R & RT



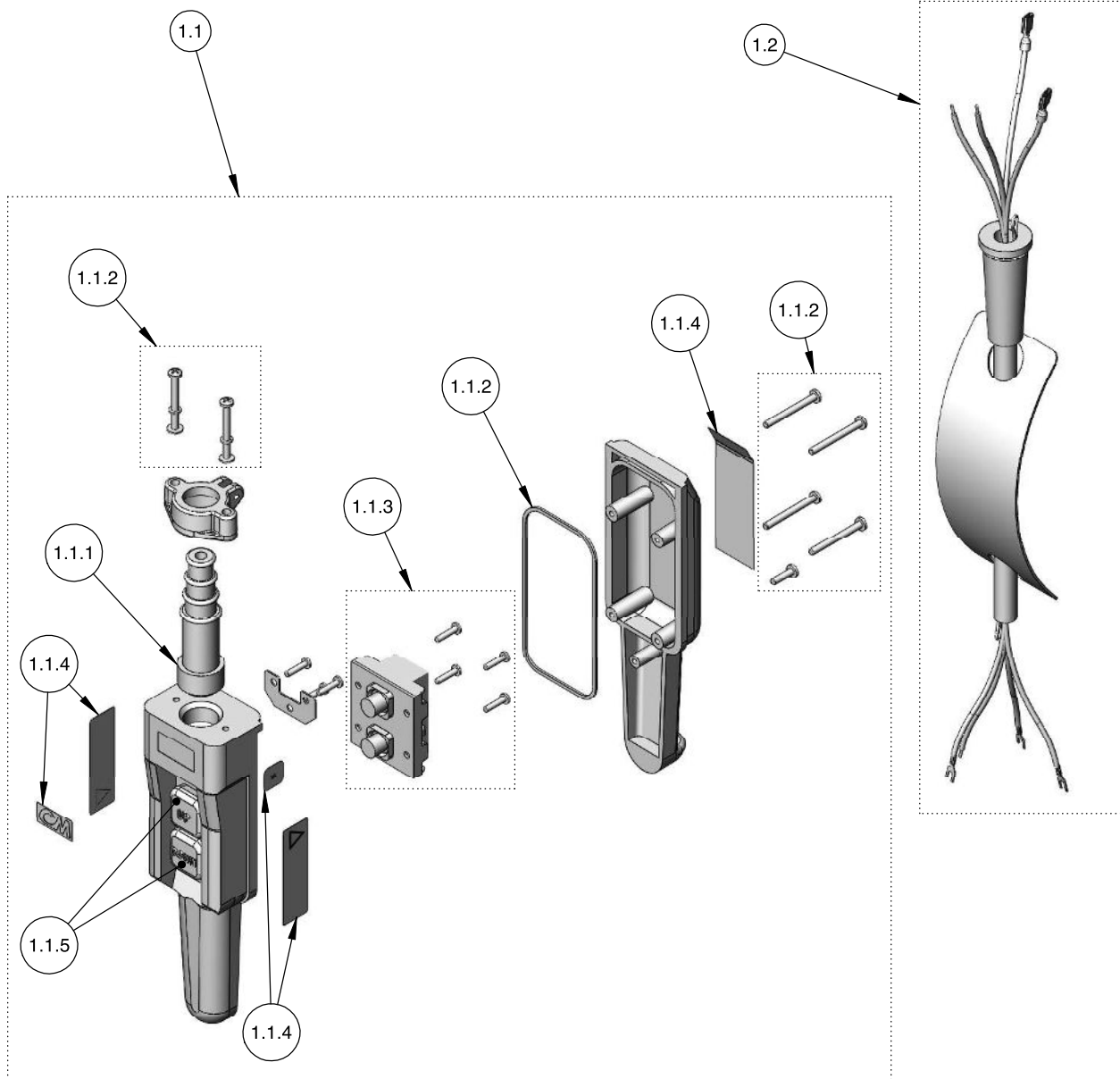
Item No.	Part Number	Description	Qty.
1	192056414	BRAKE COVER-V2 S/A - ORANGE	1
1.1	192056432	ENDCOVER, V2 BRAKE, MACH., ORANGE	1
1.2	192056409	HEAT SINK COUNTER WEIGHT - MACHINED	1
1.3	192056411	GASKET, HEAT SINK COUNTER WEIGHT	1
1.4	192056427	THERMAL PAD	2
1.5	192056466	RESISTOR, DYNAMIC BRAKING, 300Ω W/CONN	2
1.6	192056433	BUTTON HEAD - 1/4-20 X 1" W/LOCKING ELM	4
1.7	192056434	BUTTON HEAD - #10-24 X 5/16"	4
1.8	192056435	TETHER	1
1.9	73715	SOCKET HEAD CAP SCREW	1

# COMPLETE CONTROL CORD AND STATION ASSEMBLY VFD, 2-SPEED HOIST CONTROL STATION



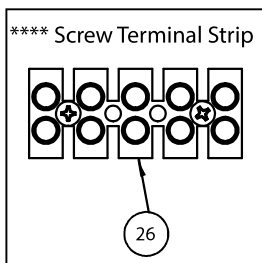
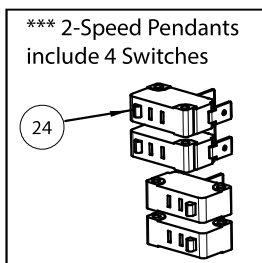
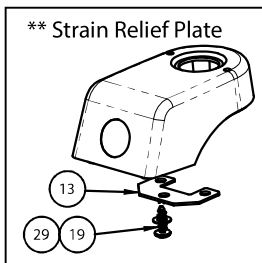
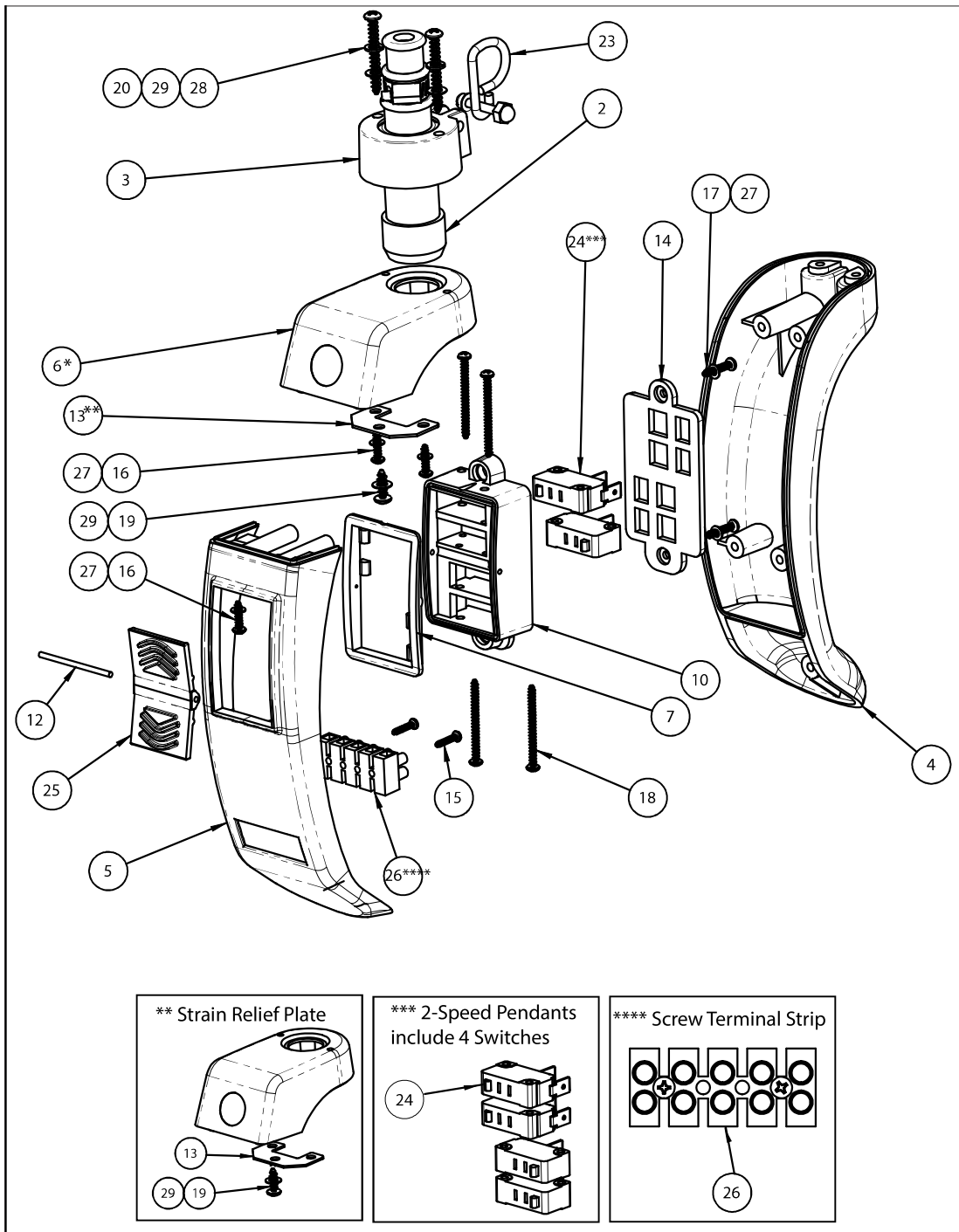
Item No.	Part Number	Description	Qty.
1	23659706	STATION ASSEMBLY AND CONTROL CORD FOR 10 FOOT LIFT	1
	23659711	STATION ASSEMBLY AND CONTROL CORD FOR 15 FOOT LIFT	
	23659716	STATION ASSEMBLY AND CONTROL CORD FOR 20 FOOT LIFT	
1.1	58273	2 BUTTON CONTROL STATION	1
1.1.1	58278	GROMMET	1
1.1.2	58275	HARDWARE KIT	1
1.1.3	58256	2-SPEED INSERT	1
1.1.4	58276	WARNING LABEL KIT	1
1.1.5	58277	BUTTON LABEL KIT	1
1.2	23661106	CONTROL CORD - 10 FOOT LIFT	1
	23661111	CONTROL CORD - 15 FOOT LIFT	
	23661116	CONTROL CORD - 20 FOOT LIFT	

# COMPLETE CONTROL CORD AND STATION ASSEMBLY VFD, 3-SPEED HOIST CONTROL STATION



Item No.	Part Number	Description	Qty.
1	23659806	STATION ASSEMBLY AND CONTROL CORD FOR 10 FOOT LIFT	1
	23659811	STATION ASSEMBLY AND CONTROL CORD FOR 15 FOOT LIFT	
	23659816	STATION ASSEMBLY AND CONTROL CORD FOR 20 FOOT LIFT	
1.1	58296	2 BUTTON CONTROL STATION	1
1.1.1	58278	GROMMET	1
1.1.2	58275	HARDWARE KIT	1
1.1.3	57803	3-SPEED INSERT	1
1.1.4	58276	WARNING LABEL KIT	1
1.1.5	58277	BUTTON LABEL KIT	1
1.2	23661206	CONTROL CORD - 10 FOOT LIFT	1
	23661211	CONTROL CORD - 15 FOOT LIFT	
	23661216	CONTROL CORD - 20 FOOT LIFT	

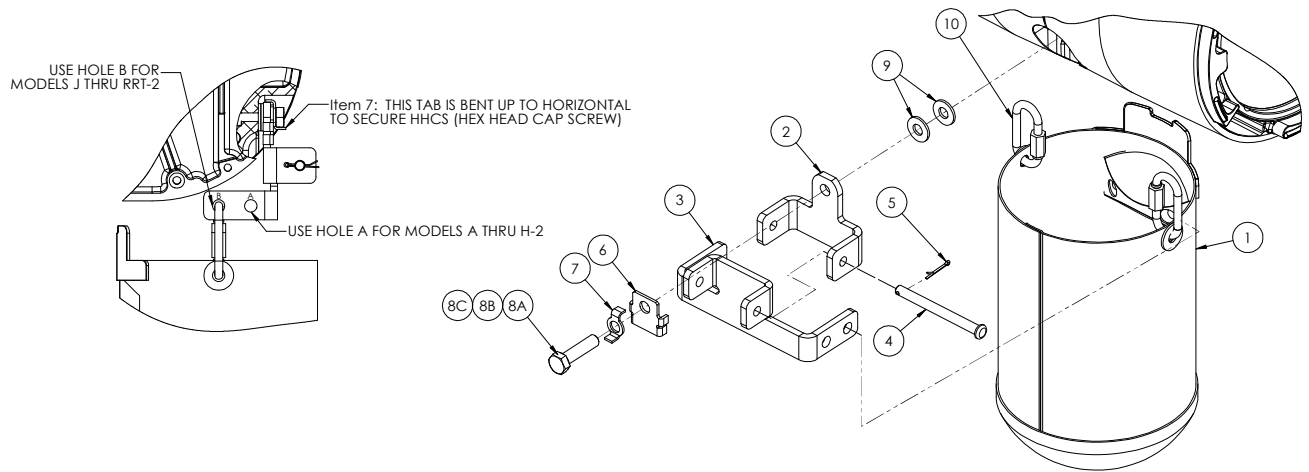
# CM ROCKET UNIVERSAL PENDANT CONTROL



Rocket Universal Pendant Control	
Product Code	Description
ECUR-1S	Rocket Pendant Control - Single-Speed, No E-stop
ECUR-2S	Rocket Pendant Control - 2-Speed, No E-stop
ECUR-1S-25P	25 PACK: Rocket Pendant Control - Single-Speed, No E-stop
ECUR-2S-25P	25 PACK: Rocket Pendant Control - 2-Speed, No E-stop

Product Code	Description
ECUR-0001	Strain Relief Kit
ECUR-0010	Switch Repair Kit, 2-Speed, 4 Switch
ECUR-0011	Switch Repair Kit, Single-Speed, 2 Switch
ECUR-0020	Enclosure Repair Kit, No E-Stop
ECUR-0021	Enclosure Repair Kit, With E-Stop
ECUR-0030	Label Kit
23608124	Emergency Stop Push Button
23608110	Rocket Bushing CBL 13.3-16.5mm

# 5" METAL AND FABRIC CHAIN CONTAINER INSTALLATION INSTRUCTIONS



Chain Container Bucket Length Vs. Model And Lift (Table A)

A Thru C2 & F Thru F-2	E, E-2, H, & H-2	J Thru LL-2	R Thru Rr-2	RT Thru RRT-2	Bucket Length (Inches)	Metal Container Part Numbers	Fabric Container Part Numbers
LIFT IN FEET					-	-	-
10	5 -	-	-	-	8	2450	3813PNH
10 - 20	5 - 10	10	5	-	11	2451	3814PNH
20 - 30	10 - 15	10 - 15	5 - 7.5	5	14	2452	3810PNH
30 - 40	15 - 20	15 - 20	7.5 - 10	5 - 6.3	17	2453	3815PNH
40 - 50	20 - 25	20 - 25	10 - 12.5	6.3 - 8.3	20	2454	3816PNH
50 - 60	25 - 30	25 - 30	12.5 - 15	8.3 - 10	23	2455	3811PNH
60 - 90	30 - 45	30 - 40	15 - 20	10 - 13.3	31	2456	3817PNH
90 - 100	45 - 50	40 - 60	20 - 30	13.3 - 20	36	2457	3812PNH
100 - 140	50 - 70	60 - 90	30 - 45	20 - 30	48	2458	3818PNH

Item No.	Part Number	Description	Qty.
1	-	CHAIN CONTAINER BUCKET/BAG	1
-		CHAIN CONTAINER KIT 5" DIAMETER (CONSIST OF THE BELOW ITEMS)	1
2		UPPER BRACKET	1
3		LOWER BRACKET	1
4		PIN CLEVIS	1
5		COTTER PIN-1/16 X 3/4 LG	1
6		ADAPTER (V2) FOR MODELS J THRU RRT-2	1
7		SCREW HEAD RETAINER	1
8A	24650	HHCS 5/16-18 UNC-2A X 1 1/4 USE ONLY ON HOIST WITH SERIAL # BEGINNING WITH "NL" MODELS J THRU RRT AND WJ & WR	1
8B		HHCS 1/4-20 UNC-2A X 1 1 USE ONLY ON MODELS A THRU H-2	1
8C		HHCS 5/16-18 UNC-2A X 1 USE ONLY ON HOIST WITH SERIAL # BEGINNING WITH "L" OR "LW" MODELS J-RRT AND WJ & WR	1
9		WASHER 5/16 X 11/16 X .065 SAE USED ONLY ON HOIST WITH SERIAL # BEGINNING WITH "NL"	2
10		QUICK LINK	2

# LUBRICANTS

Part Number for Packaged Lubricants Used in the Lodestar Electric Chain Hoists (Refer to page 17 for Lubrication Instructions)		
Lubricant Usage	Type of Lubricant	Part Numbers and Packaged Quantity of Lubricants
Hoist Gears	Grease (Special)	Models A to H uses 28605
Load Chain	Oil	28608 for 1 Pint Can 28619 for 1 Gal Can
Lower Hook Thrust Bearing	*Oil	Heavy Machine Oil obtain locally

\*These oils are not furnished by CM in Packaged Quantities. When ordering lubricants, specify the type of lubricant, part number and packages quantity required.

Touch-up Paints for Lodestar Electric Chain Hoists:

Hoist Order \*(1) case (12-12 oz. Aerosol Cans) of Black Touch-up paints Part Number 84189.

Hoist Order \*(1) case (12-12 oz. Aerosol Cans) of Orange Touch-Up paint Part Number 84190.

\*Touch-up paints are only available in case quantities.

**NOTE:** When painting hoists, also order warning labels, identification labels, etc. that may be coated during painting.

## RECOMMENDED SPARE PARTS

To insure continued service of the Lodestar Hoist, the following is a list of parts that are recommended to be kept on hand at all times to replace parts that have worn or failed.

Part Description	Models A-H	Qty Required For Each Hoist
VFD Assembly-230V (includes mounting plate and relay harness)	192045999	1
VFD Assembly-460V (includes mounting plate and relay harness)	192046000	
Brake Relay Assembly - 230V	192046018	1
Brake Relay Assembly - 460V	192046019	
VFD to Relay Harness	192045996	1
Limit Switch Encoder Assembly	192046377	1
Suspension Bolts	987554	2
2-speed CM Control Station	58273	1
3-speed CM Control Station	58296	1
2-speed Rocket Control Station	ECUR-2S	1