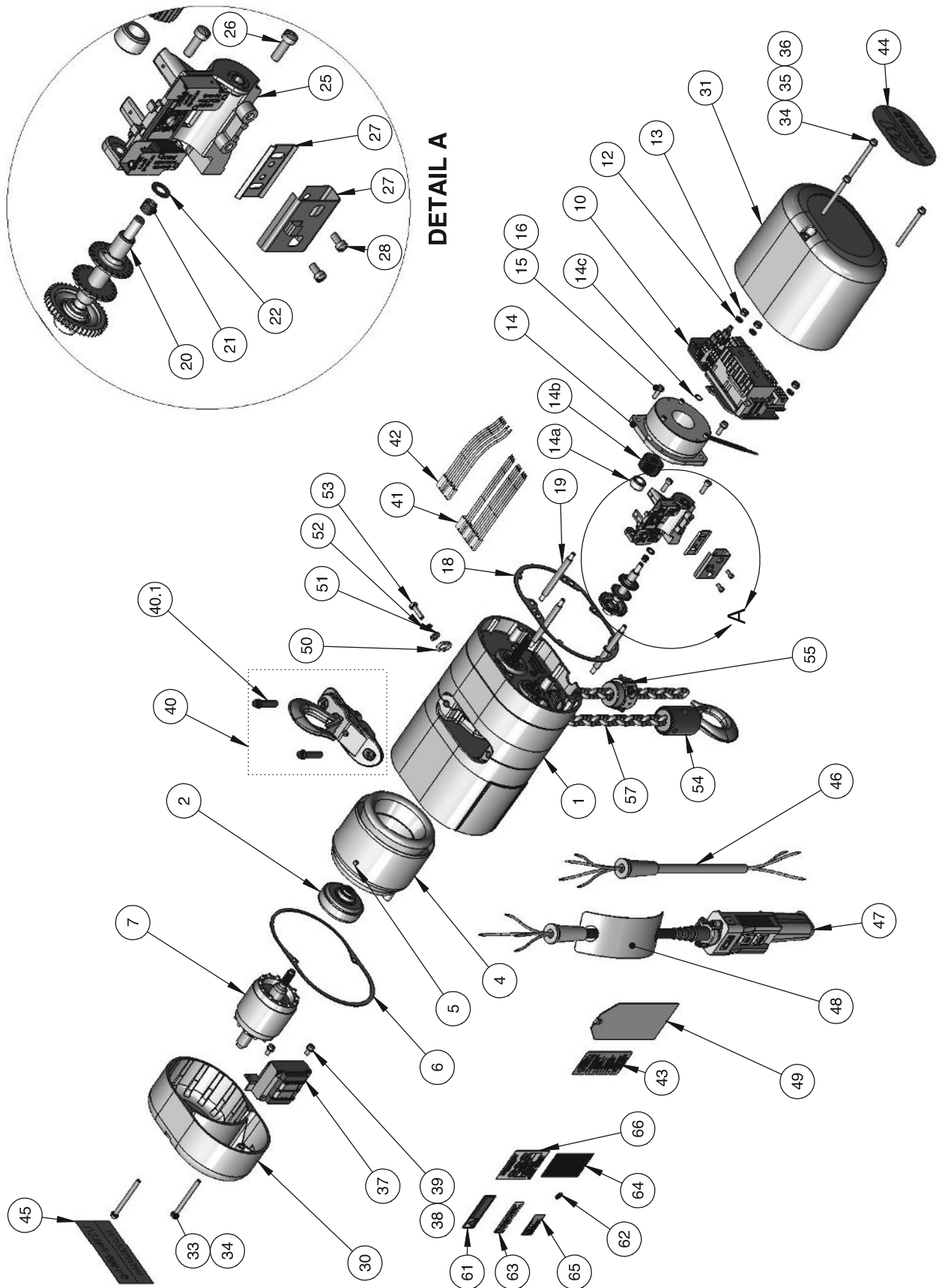


**MODELS A, A-2, AA, AA-2, B, B-2, C, C-2, E, E-2, F, F-2, H & H-2**



## MODELS A, A-2, AA, AA-2, B, B-2, C, C-2, E, E-2, F, F-2, H & H-2

Item No.	Description	MODELS A & A-2	MODELS AA & AA-2	MODELS B & B-2	MODELS C & C-2	MODELS E & E-2	MODELS F & F-2	MODELS H & H-2	QTY.
1	GEAR BOX SUB-ASSY - DC TYPE BRAKE SEE GEARBOX SECTION	00000830C	00000831C	00000832C	00000833C	00000832C	00000834C		1
	CLEAN ROOM GEAR BOX SUB-ASSY - DC TYPE BRAKE SEE GEARBOX SECTION	00000835W	00000836W	00000837W	00000838W	00000837W	00000839W		
2	CLUTCH ASSEMBLY	C00000240	C00000241	C00000240	C00000241	C00000240	C00000241		1
3	EMPTY	-							-
4	STATOR - 115/230V-50HZ-1Ø	00000473	00000472	00000473	00000472	00000473	000004721		1
	STATOR - 115/230V-60HZ-1Ø	00000467	00000462	00000467	00000462	00000467	00000462		
	STATOR - 230/460V-3Ø	00000466	00000461	00000466	00000461	00000466	00000461		
	STATOR - 575V-3Ø	00000469	N/A	00000469	00000465	00000469	00000465		
	STATOR-230V-2 SPEED	00000471	00000463	00000471	00000463	00000471	00000463		
	STATOR-460V-2 SPEED	00000464	00000464	00000464	00000464	00000464	00000464		
STATOR-575V-2 SPEED	00000470	N/A	00000470	00000470	00000470	00000470			
5	STATOR PIN	983541							1
6	MOTOR COVER GASKET	27847							1
7	ROTOR ASSEMBLY 50HZ-1Ø	00000261	00000261	00000261	00000261	00000261	00000261		1
	ROTOR ASSEMBLY 60HZ-1Ø	00000265	00000261	00000265	00000261	00000265	00000261		
	ROTOR ASSEMBLY 3Ø	00000264	00000260	00000264	00000260	00000264	00000260		
	ROTOR ASSEMBLY - 2 SPEED	00000262	00000263	00000262	00000263	00000262	00000263		
8-9	EMPTY	-							-
10	CONTACTOR PLATE ASSEMBLY	SEE CONTACTOR PLATE SECTION							1
11	EMPTY	-							-
12	LOCK WASHER	982226							3
13	CONTACTOR PLATE MOUNTING NUT	982514							3
14	BRAKE ASSEMBLY	SEE DC BRAKE SECTION							1
14a	BRAKE HUB SPACER	SEE DC BRAKE SECTION							0-1
14b	BRAKE HUB	SEE DC BRAKE SECTION							0-2
14c	BRAKE HUB SNAP RING	SEE DC BRAKE SECTION							1
15	LOCK WASHER	982226							2
16	BRAKE MOUNTING SCREW	982708							2
17	EMPTY	-							-
18	BACK FRAME COVER GASKET	27848							1
19	CONTACTOR PLATE MOUNTING STUD	27836							3
20	LIMIT SWITCH SHAFT S/A - 44 TPI	00000521							1
	LIMIT SWITCH SHAFT S/A - 56 TPI	00000522							
	LIMIT SWITCH SHAFT S/A - 64 TPI	00000523							
21	LIMIT SWITCH SHAFT SPRING	28712							1
22	WASHER	987878							1
23-24	EMPTY	-							-

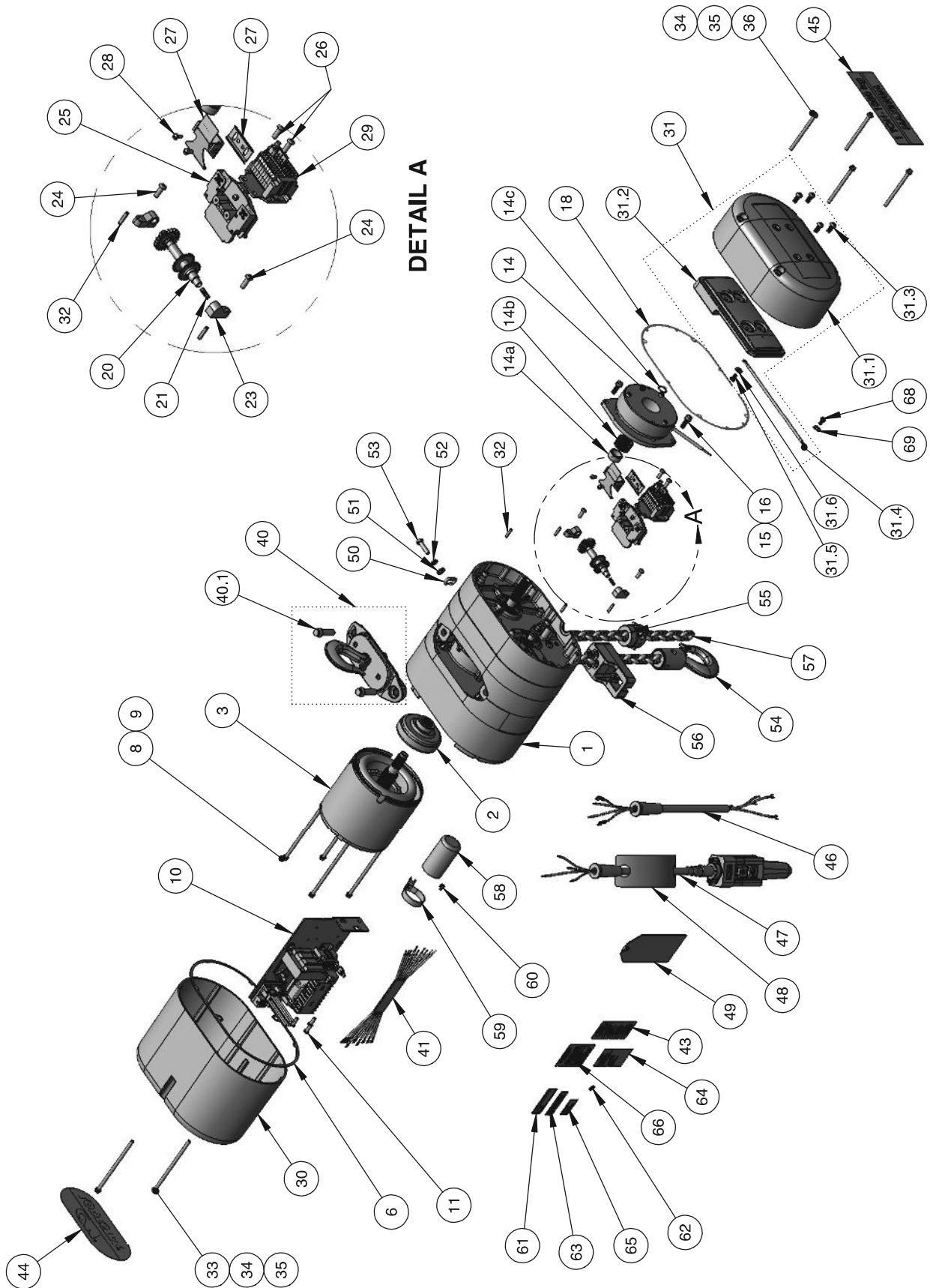
## MODELS A, A-2, AA, AA-2, B, B-2, C, C-2, E, E-2, F, F-2, H & H-2 (CONT.)

Item No.	Description	MODELS A & A-2	MODELS AA & AA-2	MODELS B & B-2	MODELS C & C-2	MODELS E & E-2	MODELS F & F-2	MODELS H & H-2	QTY.
25	LIMIT SWITCH BRACKET S/A - 1ø				00000532				1
	LIMIT SWITCH BRACKET S/A - 3ø				00000531				
26	LIMIT SWITCH BRACKET SCREWS				982708				2
27	LIMIT SWITCH SPRING GUIDE				52737				1
	LIMIT SWITCH GUIDE PLATE				28714				
28	LIMIT SWITCH GUIDE MOUNTING SCREW				983614				2
29	EMPTY				-				-
30	MOTOR COVER				27058				1
	MOTOR COVER - CLEAN ROOM				27034				
31	BACK FRAME COVER				28009C				1
	BACK FRAME COVER - CLEAN ROOM				28009W				
32	EMPTY				-				-
33	MOTOR COVER SCREW				987397				2
34	WASHER				982251				5
35	SCREW RETAINER				00001747				3
36	BACK FRAME COVER SCREW				87325				3
37	TRANSFORMER 24V SECONDARY				00000586T				1
	TRANSFORMER 48V SECONDARY				00000587T				
	TRANSFORMER 120V SECONDARY				00000588T				
38	LOCK WASHER				982226				2
39	TRANSFORMER MOUNTING SCREW				982688				2
40	UPPER SUSPENSION ASSEMBLY				SEE SUSPENSION SECTION				1
40.	1 SUSPENSION BOLT				987554				2
41	HARNESS-110/115V-1-50/60, 110/115V CON- TROL				00001516				1
	HARNESS-110/115V-1-50/60, 24/48V CONTROL				00001517				
	HARNESS-220/230V-1-50/60				00001522				
	HARNESS-220/230/380/415/460V-3-50/60				00001518				
	HARNESS-550/575V-3-50/60				00000807				
	HARNESS-220/230V-1-50/60, 2 SPEED				00000764				
	HARNESS-380/415/460V-1-50/60, 2 SPEED				00001519				
	HARNESS-550/575V-1-50/60, 2 SPEED				00000769				
	HARNESS-230-3-60, VFD				00001558				
42	HARNESS-V1 (3ø ONLY)				00000749				1
43	WARNING LABEL				00000779				1
44	SERIES LABEL				00000780				1
45	CAPACITY LABEL	00000581		00000772		00000773	00000778		1

## MODELS A, A-2, AA, AA-2, B, B-2, C, C-2, E, E-2, F, F-2, H & H-2 (CONT.)

Item No.	Description	MODELS A & A-2	MODELS AA & AA-2	MODELS B & B-2	MODELS C & C-2	MODELS E & E-2	MODELS F & F-2	MODELS H & H-2	QTY.
46	POWER CORD-110/115V-1-50/60	29924							1
	POWER CORD-220/230V-1-50/60	29925							
	POWER CORD-3Ø (1 & 2 SPEED)	23606515							
	POWER CORD-CREEP CONTROL	29924							
47	CONTROL CORD	SEE CONTROL CORD SECTION							1
48	WARNING TAG	68209							1
49	INSTRUCTION TAG	29271							1
50	LOOSE END LINK	27351							1
51	WASHER	954802							1
52	LOCK WASHER	982226							1
53	LOOSE END SCREW	927764							1
54	LOWER HOOK BLOCK ASSEMBLY	SEE LOWER HOOK BLOCK SECTION							1
55	CHAIN STOP KIT	24015K							1
56	EMPTY	-							-
57	LOAD CHAIN	85944 (ZINC PLATED)							AS REQ'D
		85889 (BURNISHED AND OILED)							
		85965 (ZINC PHOSPHATE PLATED)							
		85915 (NICKEL PLATED)							
		85952 (STAINLESS STEEL - FOR USE IN CLEAN ROOM HOIST ONLY)							
58-60	EMPTY								
61	ELECTRICAL WARNING LABEL	24842							2
62	ROHS LABEL	00000782							1
63	ELECTRICAL INFORMATION LABEL	24846							1
64	BILINGUAL WARNING LABEL	27248							1
65	MANUFACTURE LABEL	927236							1
66	CHAIN LABEL	928894							1
67	HOIST IDENTIFICATION PLATE/LABEL	CONTACT FACTORY							1

**MODELS J, J-2, JJ, JJ-2, L, L-2, LL, LL-2, R, R-2, RR, RR-2, RT, RT-2, RRT, & RRT-2**



**DETAIL A**

# MODELS J, J-2, JJ, JJ-2, L, L-2, LL, LL-2, R, R-2, RR, RR-2, RT, RT-2, RRT, & RRT-2 (CONT.)

Item No.	Description	MODELS J & J-2	MODELS JJ & JJ-2	MODEL L MODEL L-2	MODELS LL & LL-2	MODELS R & R-2	MODELS RR & RR-2	MODELS RT & RT-2	MODELS RRT & RRT-2	QTY.
1	GEAR BOX SUB-ASSY - DC TYPE BRAKE SEE GEARBOX SECTION	00000845C	00000846C	00000847C	00000845C	00000847C	00000845C	00000848C	00000849C	1
2	CLUTCH ASSEMBLY	00000242	00000243	00000242	00000243	00000242	00000243	00000242	00000243	1
3	3/4 MOTOR - 115V-1Ø	00000401	-	00000401	-	00000401	-	00000401	-	1
	3/4 MOTOR - 230V-1Ø	00000428	-	00000428	-	00000428	-	00000428	-	
	3/4 MOTOR - 230/460V-3Ø	00000440	00000450	00000440	00000450	00000440	00000450	00000440	00000450	
	3/4 MOTOR - 575V-3Ø	00000433	00000439	00000433	00000439	00000433	00000439	00000433	00000439	
	3/4 MOTOR - 230V-2 SPEED	00000414	00000420	00000414	00000420	00000414	00000420	00000414	00000420	
	3/4 MOTOR - 460V-2 SPEED	00000415	00000421	00000415	00000421	00000415	00000421	00000415	00000421	
	3/4 MOTOR - 575V-2 SPEED	00000418	00000422	00000418	00000422	00000418	00000422	00000418	00000422	
4	EMPTY	-								-
5	EMPTY	-								-
6	MOTOR COVER GASKET	35845								1
7	ROTOR ASSEMBLY	-								-
8	LOCK WASHER	982226								4
9	MOTOR MOUNTING SCREW - 1Ø	87377								4
	MOTOR MOUNTING SCREW - 230/460V-3-60 OR 575V-3-60	87377	87336	87377	87336	87377	87336	87377	87336	
	MOTOR MOUNTING SCREW - 2 SPEED	87336								
10	CONTACTOR PLATE ASSEMBLY	SEE SEE CONTACTOR PLATE SECTION								1
11	CONTACTOR PLATE MOUNTING SCREW	983656								3
12	EMPTY	-								-
13	EMPTY	-								-
14	BRAKE ASSEMBLY	SEE BRAKE SECTION								1
14a	BRAKE HUB SPACER	SEE BRAKE SECTION								0-2
14b	BRAKE HUB	SEE BRAKE SECTION								0-2
14c	BRAKE HUB SNAP RING	SEE BRAKE SECTION								1
15	LOCK WASHER	945851								2
16	BRAKE MOUNTING SCREW	SEE BRAKE SECTION								1-2
18	BACK FRAME COVER GASKET	00000236								1
19	EMPTY	-								-
20	LIMIT SWITCH SHAFT S/A - 44 TPI	00000525	00000525	00000524	00000525	00000524	00000525	00000524	00000525	1
	LIMIT SWITCH SHAFT S/A - 56 TPI	00000527	00000527	00000526	00000527	00000526	00000527	00000526	00000527	
	LIMIT SWITCH SHAFT S/A - 64 TPI	00000529	00000529	00000528	00000529	00000528	00000529	00000528	00000529	
21	LIMIT SWITCH SHAFT SPRING	35703								1
22	EMPTY	-								-
23	LIMIT SWITCH BEARING	35751								2
24	LIMIT SWITCH BEARING SCREWS	983656								2
25	LIMIT SWITCH BRACKET S/A	36827								1
26	LIMIT SWITCH BRACKET SCREWS	983656								2
27	LIMIT SWITCH GUIDE PLATE	28714								1
	LIMIT SWITCH GUIDE PLATE-ROTATABLE	52500								
28	LIMIT SWITCH GUIDE MOUNTING SCREW	983614								2

# MODELS J, J-2, JJ, JJ-2, L, L-2, LL, LL-2, R, R-2, RR, RR-2, RT, RT-2, RRT, & RRT-2 (CONT.)

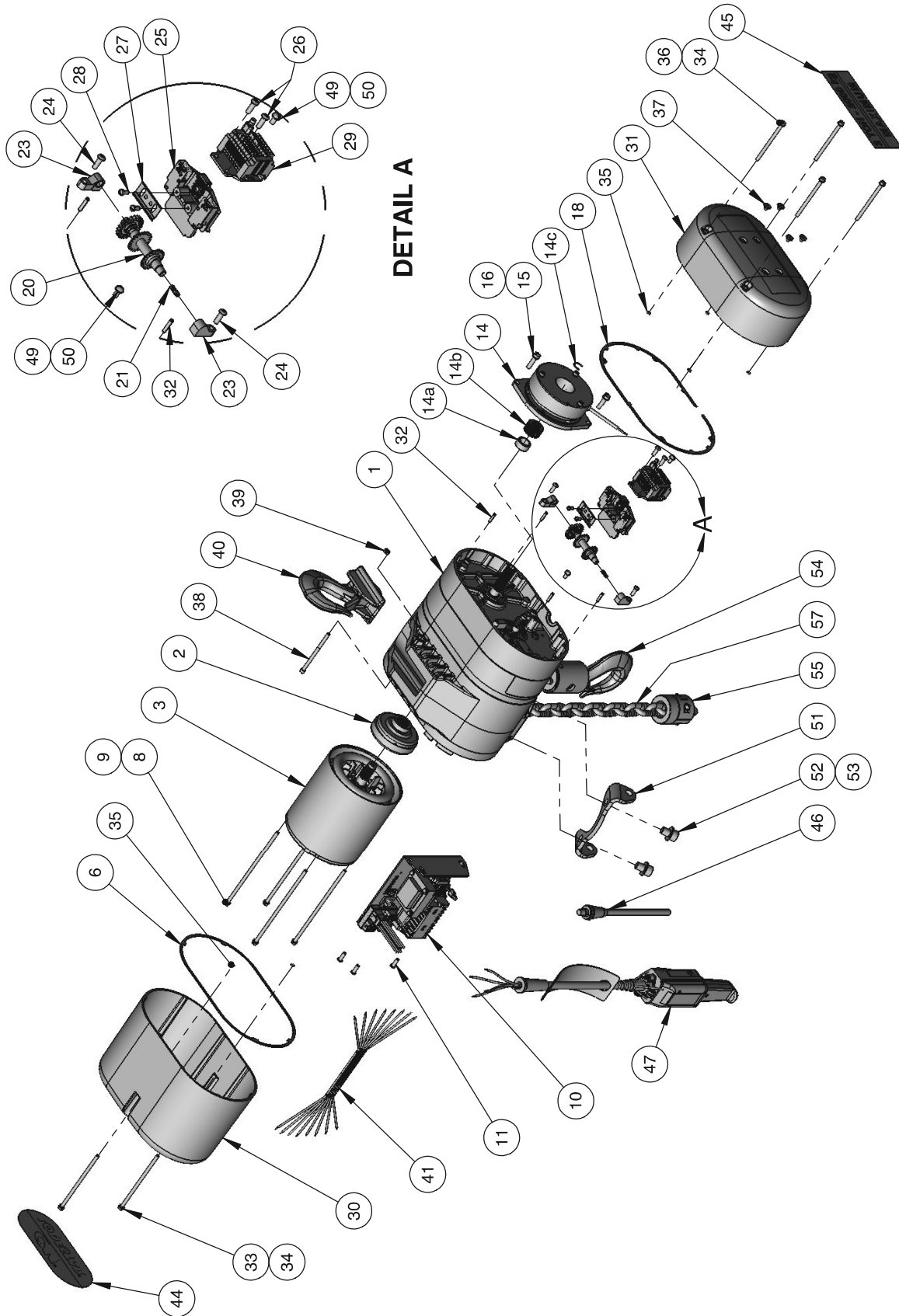
Item No.	Description	MODELS J & J-2	MODELS JJ & JJ-2	MODEL L MODEL L-2	MODELS LL & LL-2	MODELS R & R-2	MODELS RR & RR-2	MODELS RT & RT-2	MODELS RRT & RRT-2	QTY.
29	TERMINAL STRIP S/A (115V-1Ø)				00001739					1
	TERMINAL STRIP S/A (230V-1Ø)				00001738					
	TERMINAL STRIP S/A (230/460V-3Ø)				00001734					
	TERMINAL STRIP S/A (575V-1Ø)				00001735					
	TERMINAL STRIP S/A (230V-2 SPEED)				00001736					
	TERMINAL STRIP S/A (460/575V-2 SPEED)				00001746					
30	MOTOR COVER				36025C					1
31	BACK FRAME COVER ASSEMBLY				00000578C					1
31.1	BACK FRAME COVER				36008C					1
31.2	COUNTER WEIGHT				00000565					1
31.3	COUNTER WEIGHT SCREW				00000576					4
31.4	TETHER				00000575					1
31.5	SCREW				00000577					1
31.6	WASHER				00000554					1
32	BACK FRAME COVER PINS				983784					4
33	MOTOR COVER SCREW				987553					2
34	WASHER				982251					6
35	SCREW RETAINER				00001747					6
36	BACK FRAME COVER SCREW				968752					4
37-39	EMPTY				-					-
40	UPPER SUSPENSION ASSEMBLY				SEE SUSPENSION SECTION					1
40.1	SUSPENSION BOLT				36849					2
41	HARNESS-110/115V-1-50/60, 110/115V CONTROL				00001530					1
	HARNESS-110/115V-1-50/60, 24/48V CONTROL				00001523					
	HARNESS-220/230V-1-50/60				00001523					
	HARNESS-220/230/380/415/460V-3-50/60				00001531					
	HARNESS-550/575V-3-50/60				00001534					
	HARNESS-220/230V-1-50/60, 2 SPEED				00001532					
	HARNESS-380/415/460V-1-50/60, 2 SPEED				00001533					
	HARNESS-550/575V-1-50/60, 2 SPEED				00001533					
	HARNESS-230-3-60, VFD				000001556					
	HARNESS-460-3-60, VFD				00001556					
42	EMPTY				-					-
43	WARNING LABEL				00000779					1
44	SERIES LABEL				00000781					1
45	CAPACITY LABEL	00000774		00000775		00000776		00000777		1
46	POWER CORD-110/115V-1-50/60				29042					1
	POWER CORD-220/230V-1-50/60				29042					
	POWER CORD-3Ø (1 & 2 SPEED)				23606515					
47	CONTROL STATION AND CORD				SEE CONTROL STATION SECTION					1
48	WARNING TAG				68209					1

# MODELS J, J-2, JJ, JJ-2, L, L-2, LL, LL-2, R, R-2, RR, RR-2, RT, RT-2, RRT, & RRT-2 (CONT.)

Item No.	Description	MODELS J & J-2	MODELS JJ & JJ-2	MODEL L MODEL L-2	MODELS LL & LL-2	MODELS R & R-2	MODELS RR & RR-2	MODELS RT & RT-2	MODELS RRT & RRT-2	QTY.
49	INSTRUCTION TAG	29271								1
50	LOOSE END LINK	35367								1
51	WASHER	954807								1
52	LOCK WASHER	945851								1
53	LOOSE END SCREW	987210								1
54	LOWER HOOK BLOCK ASSEMBLY	SEE LOWER HOOK BLOCK SECTION								1
55	CHAIN STOP KIT	24016K								1
56	CONTACT BLOCK	-				00000224C		-		1
57	LOAD CHAIN	85949 (ZINC PLATED)								AS REQ'D
		85979 (BURNISHED AND OILED)								
		85966 (ZINC PHOSPHATE PLATED)								
		85916 (NICKEL PLATED)								
58	SOLID STATE REVERSE SWITCH	35499								1*
59	SOLID STATE REVERSE SWITCH MTG. CLAMP	27275								1*
60	SOLID STATE REVERSE SWITCH MTG. CLAMP SCREW	982873								1*
61	ELECTRICAL WARNING LABEL	24842								2
62	ROHS LABEL	00000782								1
63	ELECTRICAL INFORMATION LABEL	24846								1
64	BILINGUAL WARNING LABEL	27248								1
65	MANUFACTURE LABEL	927236								1
66	CHAIN LABEL	928894								1
67	HOIST IDENTIFICATION PLATE/LABEL (NOT SHOWN)	Contact Factory								1
68	SCREW	00000577								1
69	WASHER	00000554								1



# MODEL RRS

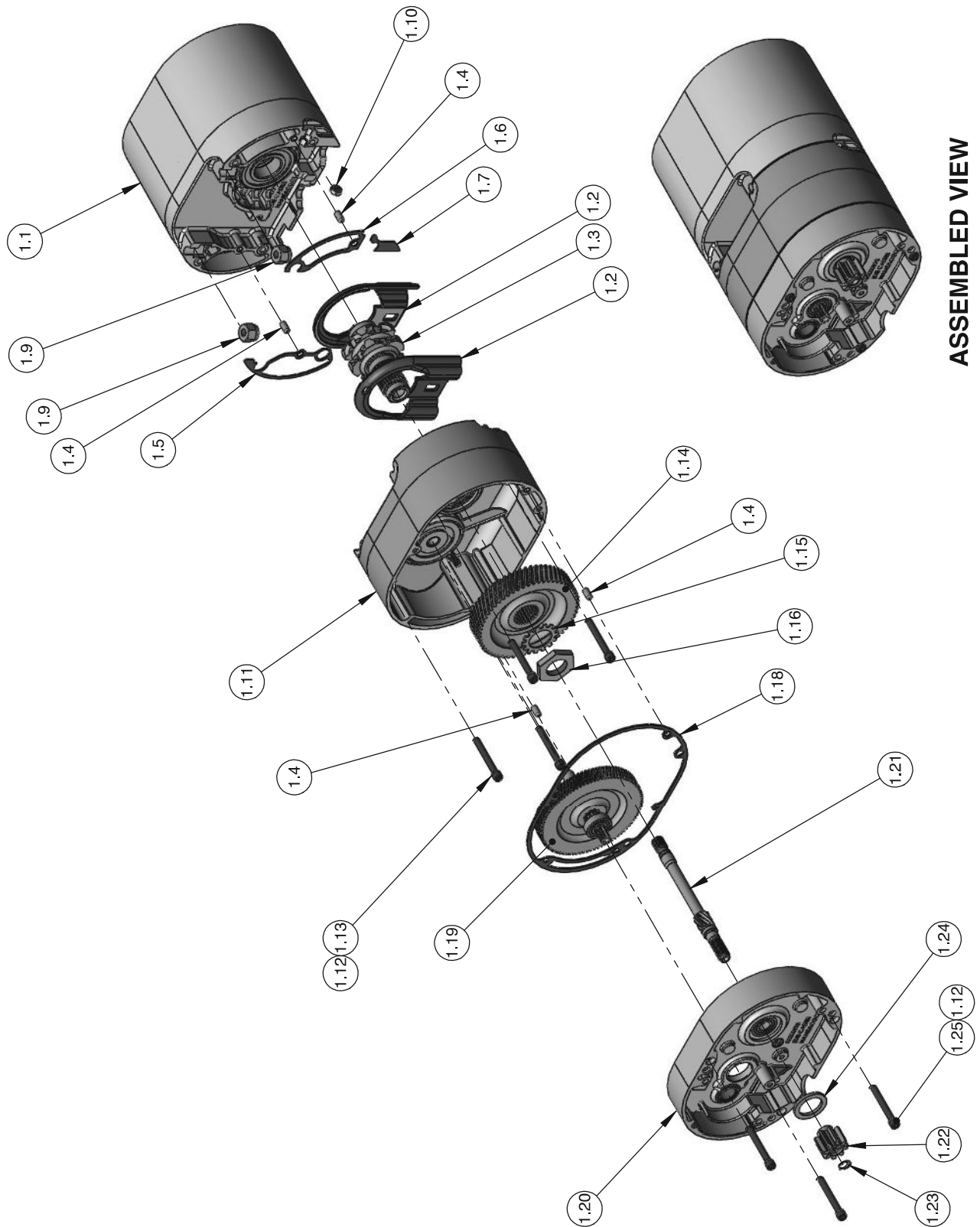


**DETAIL A**

# MODEL RRS

Item No.	Description	Part Number	Qty.
1	GEARBOX ASSEMBLY-ORANGE	10001000C	1
2	CLUTCH ASSEMBLY-V2-2 HP	00000243	1
3	MOTOR - 230/460V-WITH PLUG	10001023	1
	MOTOR 2HP- 575V	10001024	
4	EMPTY	-	-
5	EMPTY	-	-
6	GASKET-MOTOR COVER	10001019	1
7	EMPTY	-	-
8	LOCK WASHER	982226	4
9	MOTOR MOUNTING SCREW	87334	4
10	CONTACTOR PLATE ASSEMBLY	SEE CONTACTOR PLATE SECTION	1
11	CONTACTOR PLATE MOUNTING SCREWS	983656	3
12	EMPTY	-	-
13	EMPTY	-	-
14	BRAKE ASSEMBLY	SEE BRAKE SECTION	1
14a	BRAKE HUB SPACER	00001433	1
14b	BRAKE HUB	00001431	1
14c	BRAKE HUB SNAP RING	10409711	1
15	LOCK WASHER	945851	2
16	BRAKE MOUNTING SCREW	982709	2
17	EMPTY	-	-
18	BACK FRAME COVER GASKET	00000236	1
19	EMPTY	-	-
20	LIMIT SWITCH SHAFT S/A - 44 TPI	00000524	1
	LIMIT SWITCH SHAFT S/A - 56 TPI	00000526	
	LIMIT SWITCH SHAFT S/A - 64 TPI	00000528	
21	LIMIT SWITCH SHAFT SPRING	35703	1
22	EMPTY	-	-
23	LIMIT SWITCH BEARING	35751	2
24	LIMIT SWITCH BEARING SCREWS	983656	2
25	LIMIT SWITCH BRACKET S/A	36827	1
26	LIMIT SWITCH BRACKET SCREWS	983656	2
27	LIMIT SWITCH GUIDE PLATE	28714	1
28	LIMIT SWITCH GUIDE PLATE MOUNTING SCREWS	983614	2
29	TERMINAL STRIP S/A (230/460V-3ø)	00001734	1
	TERMINAL STRIP S/A (575V-3ø)	00001735	
30	MOTOR COVER	36025C	1
31	BACK FRAME COVER	36008C	1
32	BACK FRAME COVER PINS	983784	4
33	MOTOR COVER SCREW	987553	2
34	WASHER	982251	6
35	SCREW RETAINER	00001747	6
36	BACK FRAME COVER SCREW	968752	4
37	HOLE PLUG	00000574	4
38	SUSPENSION RETAINER SCREW	10001047	1
39	SUSPENSION RETAINER NUT	82638	1
40	UPPER SUSPENSION ASSEMBLY	SEE SUSPENSION SECTION	1
41	WIRING HARNESS (230/460V-3ø)	00001531	1
	WIRING HARNESS (575V-3ø)	00001534	
42	LINE CONNECTOR (NOT SHOWN)	982158	1
43	EMPTY	-	-
44	SERIES LABEL	00000781	1
45	CAPACITY LABEL	00000776	1
46	POWER CORD	23606515	1
	KIT, LESS POWER CORD	28039	
47	CONT STATION AND CORD	SEE LOWER HOOK BLOCK SECTION	1
48	EMPTY	-	-
49	GROUND SCREW	987827	2
50	LOCK WASHER	982226	2
51	CHAIN CONTAINER BRACKET	10001041	1
52	WASHER	10001043	2
53	SCREW	982433	2
54	LOWER HOOK ASSEMBLY	10001052	1
55	CHAIN BLOCK KIT	10001029	1
56	CHAIN STARTER LINK (NOT SHOWN)	85960LEL	1
57	LOAD CHAIN, ZINC PLATED	85960EN	REQ'D LIFT +2FT

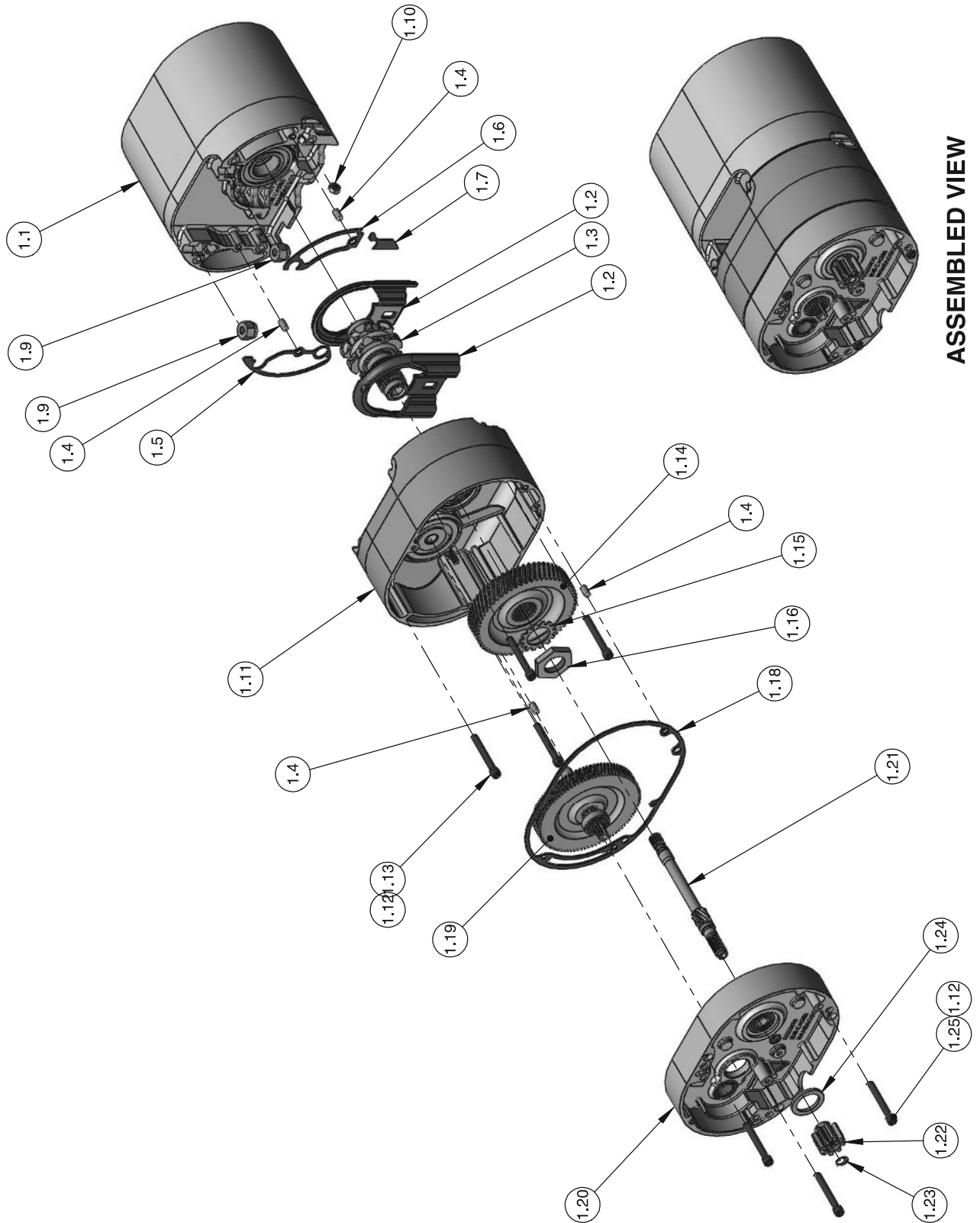
**MODELS A, A-2, AA, AA-2, B, B-2, C, C-2, E, E-2, F, F-2, H & H-2**



## MODELS A, A-2, AA, AA-2, B, B-2, C, C-2, E, E-2, F, F-2, H & H-2 (CONT.)

Item No.	Description	DC TYPE BRAKE					Qty.
		Model A	Model AA	MODELS B/ E	MODELS B/ E	MODELS F/ H	
1	GEARBOX SUB-ASSEMBLY	00000830C	00000831C	00000832C	00000833C	00000834C	1
	CLEAN ROOM GEAR BOX SUB-ASSEMBLY	00000835W	00000836W	00000837W	00000838W	00000839W	
1.1	MOTOR HOUSING SUB-ASSY	00000504C					1
	CLEAN ROOM MOTOR HOUSING 1SUB-ASSY	00000504W					
1.2	CHAIN GUIDE	00000232					2
	CLEAN ROOM CHAIN GUIDE	00000811					
1.3	LIFTWHEEL	00000500					1
	CLEAN ROOM LIFTWHEEL	00000818					
1.4	DOWEL PIN	82354					4
1.5	GASKET-MOTOR HOUSING WIREWAY	00000189					1
1.6	GASKET MOTOR HOUSING	00000190					1
1.7	GASKET MOTOR HOUSING	00000191					1
1.8	EMPTY	-					-
1.9	SUSPENSION NUT	927755					2
1.10	LOOSE END NUT	82638					1
1.11	GEAR HOUSING SUB-ASSY	00000503C	00000503C	00000502C	00000503C	00000502C	1
	CLEAN ROOM GEAR HOUSING SUB-ASSY	00000503W	00000503W	00000502W	00000503W	00000502W	
1.12	LOCK WASHER	940802					7
1.13	GEAR HOUSING SCREW	28830					4
1.14	LIFTWHEEL GEAR	00000160 (45TEETH)	00000159 (36TEETH)	00000161 (59TEETH)	00000160 (45TEETH)	00000161 (59TEETH)	1
1.15	LOCK WASHER	00000199					1
1.16	LIFTWHEEL NUT	00000198					1
1.17	EMPTY	-					-
1.18	GEAR HOUSING GASKET	00000188					1
1.19	INTERMEDIATE SHAFT SUB-ASSY	00000156 (88TEETH/ 12TEETH)	00000157 (88TEETH/ 18TEETH)	00000155 (88TEETH/ 8TEETH)	00000156 (88TEETH/ 12TEETH)	00000155 (88TEETH/ 8TEETH)	1
1.20	BACK FRAME SUB-ASSY	00000505C*					1
	CLEAN ROOM BACK FRAME SUB-ASSY	00000505W*					
1.21	DRIVE SHAFT	00000819 (10 TEETH)					1
1.22	BRAKE HUB	SEE BRAKE SECTION					1
1.23	RETAINING RING	SEE BRAKE SECTION					1
1.24	SPACER	SEE BRAKE SECTION					1
1.25	BACKFRAME SCREW	982699					3

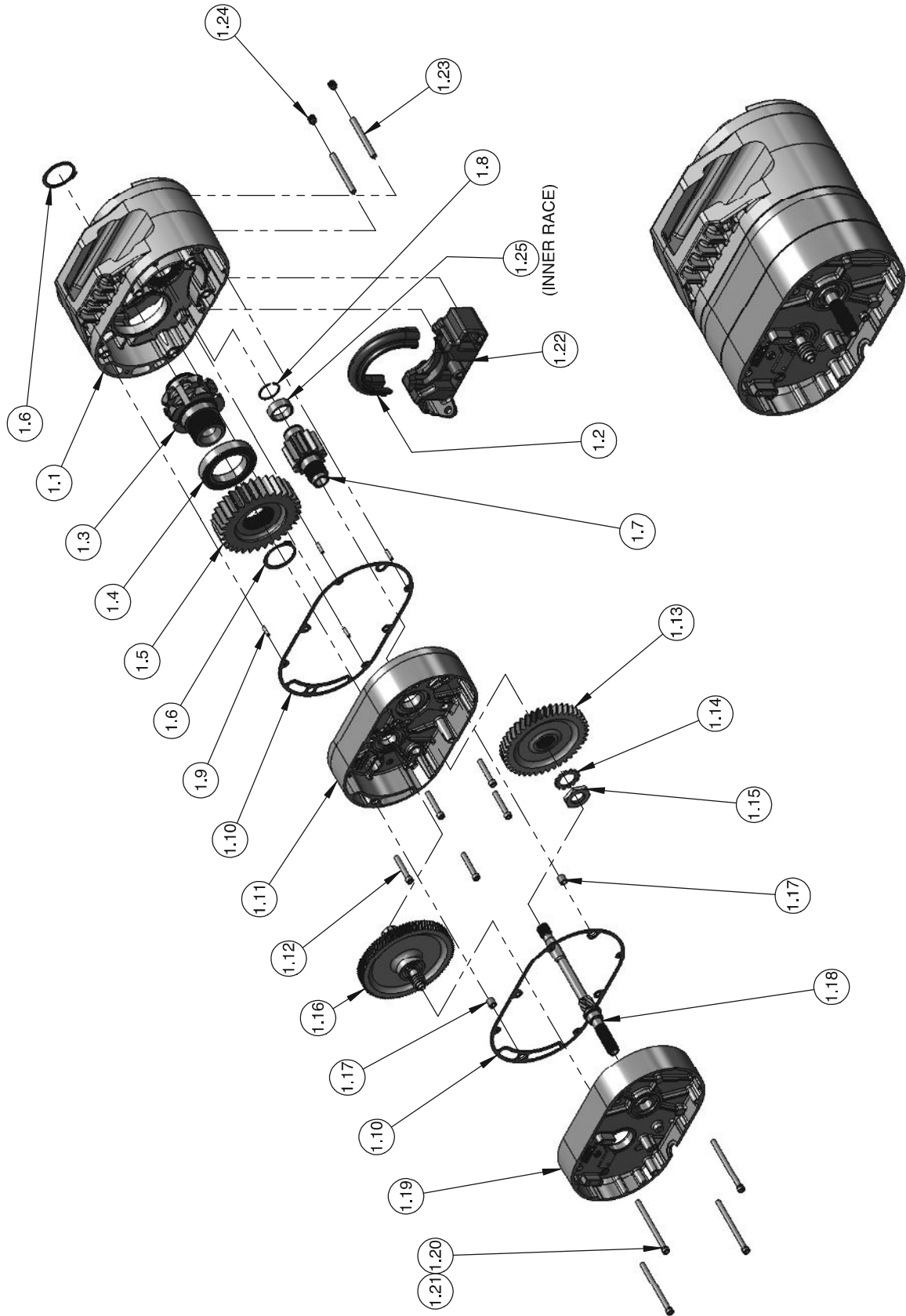
**J, J-2, JJ, JJ-2, L, L-2, LL, LL-2, R, R-2, RR, RR-2, RT, RT-2, RRT, & RRT-2**



# J, J-2, JJ, JJ-2, L, L-2, LL, LL-2, R, R-2, RR, RR-2, RT, RT-2, RRT, & RRT-2 (CONT.)

Item No.	Description	DC TYPE BRAKE					Qty.
		MODELS J/LL/RR	MODEL JJ	MODELS L/R	MODEL RT	MODEL RRT	
1	GEARBOX SUB-ASSEMBLY	00000845C	00000846C	00000847C	00000848C	00000849C	1
1.1	MOTOR HOUSING SUB-ASSY	00000509C	00000509C	00000509C	00000513C	00000513C	1
1.2	CHAIN GUIDE	00000235					2
1.3	LIFT-WHEEL	00000501					1
1.4	DOWEL PIN	82354					2
1.5	GASKET-MOTOR HOUSING WIREWAY	00000193					1
1.6	GASKET MOTOR HOUSING	00000194					1
1.7	GASKET MOTOR HOUSING	00000549					1
1.8	SUSPENSION ANCHOR	35066					2
1.9	SUSPENSION NUT	935791					2
1.10	LOOSE END NUT	82639					1
1.11	GEAR HOUSING SUB-ASSY	00000507C	00000508C	00000507C	00000512C	00000512C	1
1.12	LOCK WASHER	940830					8
1.13	GEAR HOUSING SCREW	982682					8
1.14	LIFEWHEEL GEAR	00000163 (66 TEETH)	00000162 (42 TEETH)	00000163 (66 TEETH)	00000163 (66 TEETH)	00000163 (66 TEETH)	1
1.15	LOCK WASHER	986276					1
1.16	LIFTWHEEL NUT	35773					1
1.17	ALIGNMENT BUSHING	35768					2
1.18	GEAR HOUSING GASKET	00000192					1
1.19	INTERMEDIATE SHAFT SUB-ASSY	00000146 (47 TEETH/ 8 TEETH)	00000170 (47 TEETH/ 10 TEETH)	00000171 (92 TEETH/ 8 TEETH)	00000171 (92 TEETH/ 8 TEETH)	00000146 (47 TEETH/ 8 TEETH)	1
1.2	BACK FRAME SUB-ASSY	00000510C					1
1.21	DRIVE SHAFT	00000821 (10 TEETH)	00000821 (10 TEETH)	00000820 (10 TEETH)	00000820 (10 TEETH)	00000821 (10 TEETH)	1
1.22	BRAKE HUB	SEE BRAKE SECTION					1
1.23	RETAINING RING	SEE BRAKE SECTION					1

# RRS GEARBOX



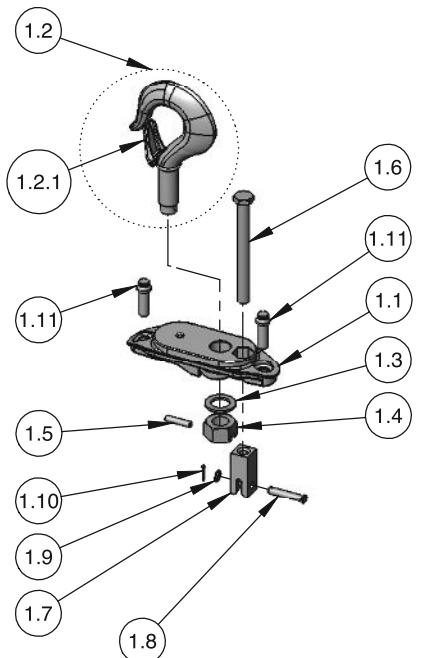
ASSEMBLED VIEW

# RRS GEARBOX

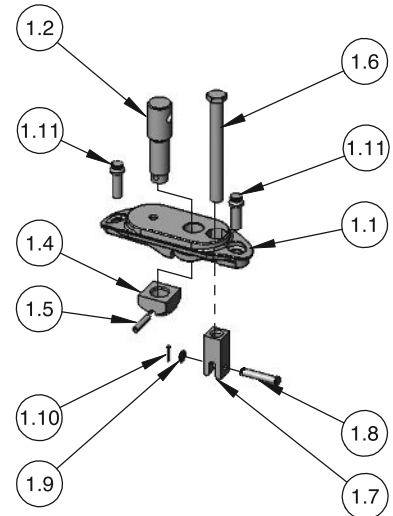
Item No.	Description	Part Number	Qty.
1	GEARBOX ASSEMBLY	10001000	1
1.1	MAIN FRAME SUB ASSEMBLY-ORANGE	10001001C	1
1.2	CHAIN GUIDE	10001004	1
1.3	LIFTWHEEL-5PKT-10MM X 30MM	10001074	1
1.4	RADIAL BALL BEARING	10001017	1
1.5	GEAR-33T	10001006	1
1.6	RETAINING RING-EXTERNAL	10001108	2
1.7	PINION SUB-ASSY-12T	10001007	1
1.8	RETAINING RING-EXTERNAL	10001107	1
1.9	SPRING PIN	983784	4
1.1	GASKET-GEAR HOUSING-V2	00000192	2
1.11	INT. FRAME-SUB-ASSY-ORANGE	10001009C	1
1.12	SCREW	982682	5
1.13	GEAR - 42 TEETH	00000162	1
1.14	WASHER-LOCK-EXT T00TH	986276	1
1.15	NUT	35773	1
1.16	SHAFT SUB-ASSY 10T/92T	10001011	1
1.17	DOWEL, BACK FRAME	35768	2
1.18	DRIVE SHAFT-10T	10001012	1
1.19	V2 BACK FRAME S/A-ORANGE	00000510C	1
1.20	SCREW	80409	4
1.21	LOCK WASHER	940830	4
1.22	CHAIN CHUTE-MACHINED-BLACK	10001014B	1
1.23	DOWEL PIN	10001038	2
1.24	SET SCREW	10001045	2
1.25	CYLINDRICAL ROLLER BEARING	10001016	1



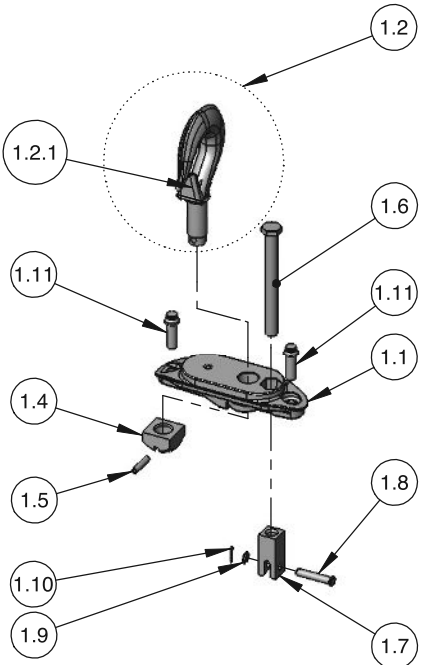
**MODEL A TO RRT-2 EXCLUDES RRS.**



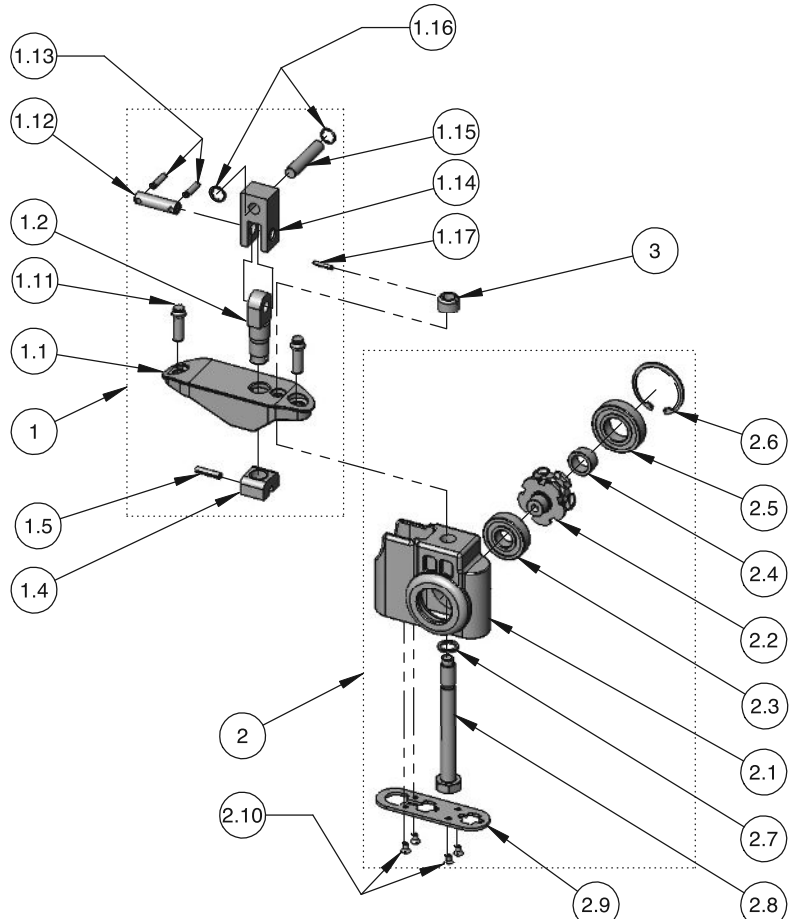
**SWIVEL HOOK ASSEMBLY**



**LUG ASSEMBLY**



**RIGID HOOK ASSEMBLY**



**TRIPLE REEVED LUG ASSEMBLY**

**UPPER SUSPENSIONS**

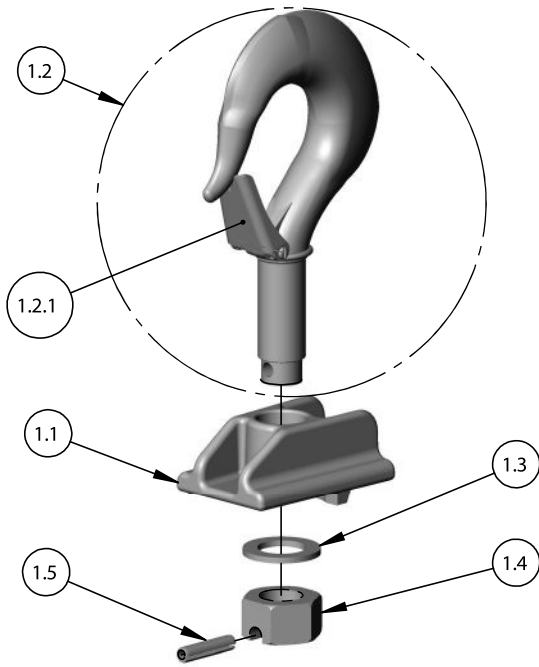
# UPPER SUSPENSIONS

Item No.	Description	Part Numbers					QTY.
		MODELS A, A-2, AA, AA-2, B, B- 2, C, C-2, F, F-2	MODELS E, E-2, H, H-2	MODELS J, J-2, L, L- 2, LL, LL-2	MODELS R, R-2, RR, RR-2	MODELS RT, RT-2, RRT, RRT-2	
1	SWIVEL SUSPENSION ASSEMBLY - W/ LATCH TYPE HOOK	2792NH	2793NH	3661NH	3660NH	9557NH	1
	SWIVEL SUSPENSION ASSEMBLY - W/ LATCHLOK TYPE HOOK	2796NH	-*	3662NH	3663NH	-*	
	RIGID SUSPENSION ASSEMBLY - W/ LATCH TYPE HOOK	2788NH	2789NH	3651NH	3658NH	9559NH	
	RIGID SUSPENSION ASSEMBLY - W/ LATCHLOK TYPE HOOK	2790NH	-*	3652NH	-*	-*	
	LUG SUSPENSION FOR MOTOR DRIVEN TROLLEY	2992NH	2993NH	3679NH	3668NH	9561NH	
	LUG SUSPENSION FOR LOW HEADROOM TROLLEY	2778NH	2779NH	3677NH			
1.1	SUSPENSION ADAPTER	00000218B	00000223B	00000220B	00000221B	00000222B	1
1.2	UPPER HOOK SUB-ASSEMBLY - LATCH TYPE	28689B	28697B	35617B	35616B	36613B	1
	UPPER HOOK SUB-ASSEMBLY - LATCHLOK TYPE	28643	-*	36678	36680	-*	
	SUSPENSION LUG FOR MOTOR DRIVEN TROLLEY	27454	27455	35459	35457	36356	
	SUSPENSION LUG FOR LOW HEADROOM TROLLEY	27450	27452	35456			
1.2.1	LATCH KIT	45661	45661	45662	45663	45663	-**
1.3	THRUST WASHER (FOR SWIVEL SUSPENSIONS ONLY)	27786	45930	45930	45918	-	1
1.4	UPPER HOOK COLLAR FOR SWIVEL SUSPENSIONS	27350	45385	35042	35041	36352	1
	UPPER HOOK COLLAR FOR RIGID HOOK AND LUG SUSPENSIONS	27372	27373	35458	35426	36360	
1.5	SPRING PIN	27805	45941	983764	983762	983762	1
1.6	DEAD END BOLT	-	89508	-	35957	-	1
1.7	DEAD END BLOCK	-	27397	-	35418	-	1
1.8	DEAD END PIN	-	82320	-	82314	-	1
1.9	WASHER	-	987878	-	987877	-	1
1.10	COTTER PIN	-	988330	-	988330	-	1
1.11	SUSPENSION SCREW	987554	987554	36849	36849	36849	2
1.12	SUSPENSION LUG SUPPORT PIN	-	-	-	-	36366	1
1.13	PIN RETAINER	-	-	-	-	983760	2
1.14	SHACKLE	-	-	-	-	36357	1
1.15	SHACKLE SUPPORT PIN	-	-	-	-	36363	1
1.16	RING RETAINER	-	-	-	-	36867	2
1.17	SHEAVE STUD PIN	-	-	-	-	983791	1
2	UPPER SHEAVE HANGER S/A	-	-	-	-	00000285C	1
2.1	UPPER SHEAVE HANGER	-	-	-	-	00000281C	1
2.2	SHEAVE	-	-	-	-	00000274	1
2.3	BEARING 6305ZZ	-	-	-	-	83674	1
2.4	PILOT BUSHING	-	-	-	-	00000284	1
2.5	BEARING 6207ZZ	-	-	-	-	83669	1
2.6	RETAINING RING	-	-	-	-	46800	1
2.7	WASHER	-	-	-	-	36370	1
2.8	SHEAVE STUD	-	-	-	-	36372	1
2.9	CLOVER LEAF PLATE	-	-	-	-	00000282B	1
2.10	SCREW	-	-	-	-	936823	4
3	SHEAVE STUD NUT	-	-	-	-	00000289	1

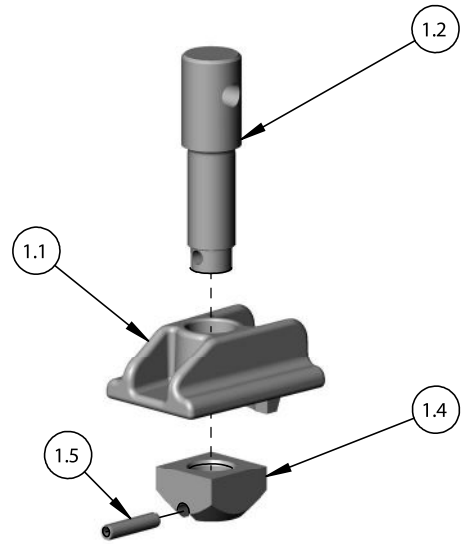
\*Contact factory for Latchlok hooks and assemblies

\*\* Latch Type hooks assemblies come with latches installed

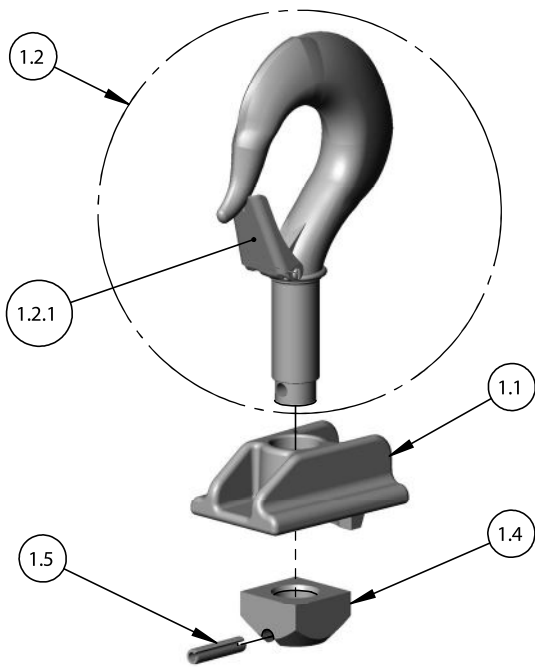
# UPPER SUSPENSIONS MODEL RRS



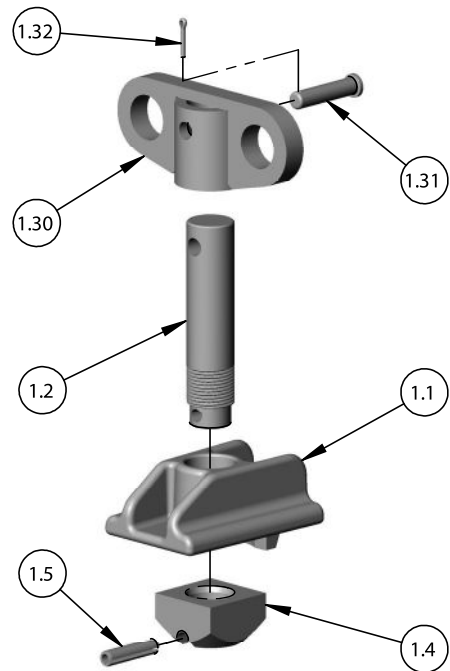
SWIVEL HOOK ASSEMBLY



LUG ASSEMBLY



RIGID HOOK ASSEMBLY



UNIVERSAL TROLLEY LUG ASSEMBLY

## UPPER SUSPENSIONS MODEL RRS

Item No.	Description	Part Number	Qty.
1	SWIVEL SUSPENSION ASSEMBLY - W/ LATCH TYPE HOOK	10001100	1
	SWIVEL SUSPENSION ASSEMBLY - W/ LATCHLOK TYPE HOOK	_*	
	RIGID SUSPENSION ASSEMBLY - W/ LATCH TYPE HOOK	10001101	
	RIGID SUSPENSION ASSEMBLY - W/ LATCH TYPE HOOK CROSS MOUNT	10001101X	
	RIGID SUSPENSION ASSEMBLY - W/ LATCHLOK TYPE HOOK	_*	
	LUG SUSPENSION FOR LOW HEADROOM OR MOTOR DRIVEN TROLLEY	10001103	
	LUG SUSPENSION FOR LOW HEADROOM OR MOTOR DRIVEN TROLLEY CROSS MOUNT	10001103X	
	LUG SUSPENSION FOR UNIVERSAL TROLLEY	10001104	
	LUG SUSPENSION FOR UNIVERSAL TROLLEY CROSS MOUNT	10001104X	
1.1	SUSPENSION ADAPTER	10001050B	1
1.2	UPPER HOOK SUB-ASSEMBLY - LATCH TYPE	35616B	1
	UPPER HOOK SUB-ASSEMBLY - LATCHLOK TYPE	36680	
	SUSPENSION LUG FOR LOW HEADROOM OR MOTOR DRIVEN TROLLEY	35457	
	SUSPENSION LUG FOR UNIVERSAL TROLLEY	00002508	
1.2.1	LATCH KIT	45663	1**
1.3	THRUST WASHER (FOR SWIVEL SUSPENSIONS ONLY)	35426	1
1.4	UPPER HOOK COLLAR FOR SWIVEL SUSPENSIONS	35041	1
	UPPER HOOK COLLAR FOR RIGID HOOK AND LUG SUSPENSIONS	45918	
1.5	SPRING PIN	983762	1
1.6	DEAD END BOLT	35957	1
1.7	DEAD END BLOCK	35418	1
1.8	DEAD END PIN	82314	1
1.9	WASHER	987877	1
1.10	COTTER PIN	988330	1
1.11	SUSPENSION SCREW	36849	2
1.30	LUG ADAPTER	00002503	1
1.31	LUG ADAPTER PIN	00002504	1
1.32	COTTER PIN	H5025P	1

**UPPER SUSPENSIONS  
UNIVERSAL TROLLEY MODELS A THRU RRT-2 EXCLUDING RRS**



1



2



3



4



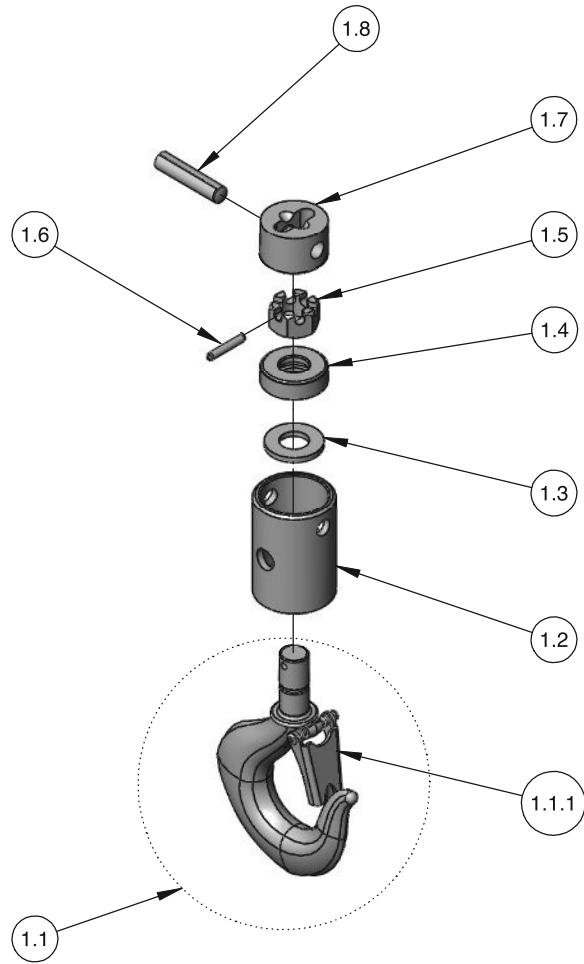
5



6

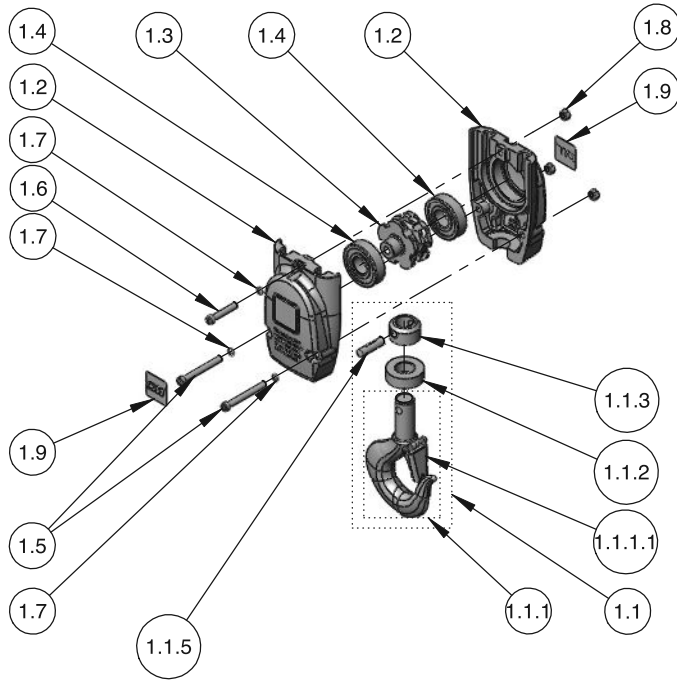
Item No.	Description	Reeving	Part Number
1	UT 1 TON SUSPENSION KIT - PARALLEL MOUNT ONLY	1	2292NHUT
2	UT 1 TON SUSPENSION KIT - CROSS MOUNT ONLY	1	2292NHUTC
3	UT 1 TON SUSPENSION KIT - CROSS OR PARALLEL	2	29923NHUT
4	UT 2 TON SUSPENSION KIT - CROSS OR PARALLEL	1	3677NHUT
5	UT 2 TON SUSPENSION KIT - CROSS OR PARALLEL	2	3668NHUT
6	UT 3 TON SUSPENSION KIT - CROSS OR PARALLEL	3	9561NHUT

# LOWER HOOK BLOCKS SINGLE REEVED

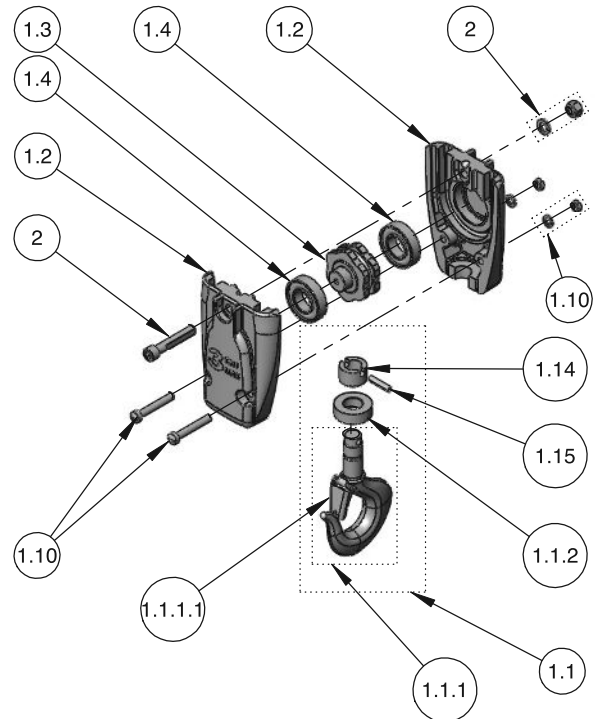


Item No.	Description	SINGLE-REEVED MODELS			Qty.
		A, A-2, AA, AA-2, B, B-2, C, C-2, F, F-2	J, J-2, L, L-2, LL, LL-2	RRS	
1	LOWER HOOK BLOCK ASSEMBLY-COMPLETE WITH LATCH TYPE HOOK	*28683	*35651	*10001052	1
1.1	LOWER HOOK WITH LATCH	28686	35611	35612B	1
	LATCHLOK TYPE HOOK	28604	28604	36681	
1.1.1	LATCH KIT	45661	45662	45663	1
1.2	LOWER HOOK BODY	45401B	35370	45399B	1
1.3	LOWER HOOK WASHER	945921	945921	N/A	1
1.4	LOWER HOOK THRUST BEARING	88485	88485	88505	1
1.5	LOWER HOOK NUT	982526	982526	35369	1
1.6	LOWER HOOK NUT PIN	983772	983772	45946	1
1.7	LOWER HOOK CHAIN BLOCK	28007	35026	10001054	1
1.8	LOWER HOOK CHAIN BLOCK PIN	45943	35790	45948	1

# LOWER HOOK BLOCKS DOUBLE & TRIPLE REEVED



**DOUBLE-REEVED**

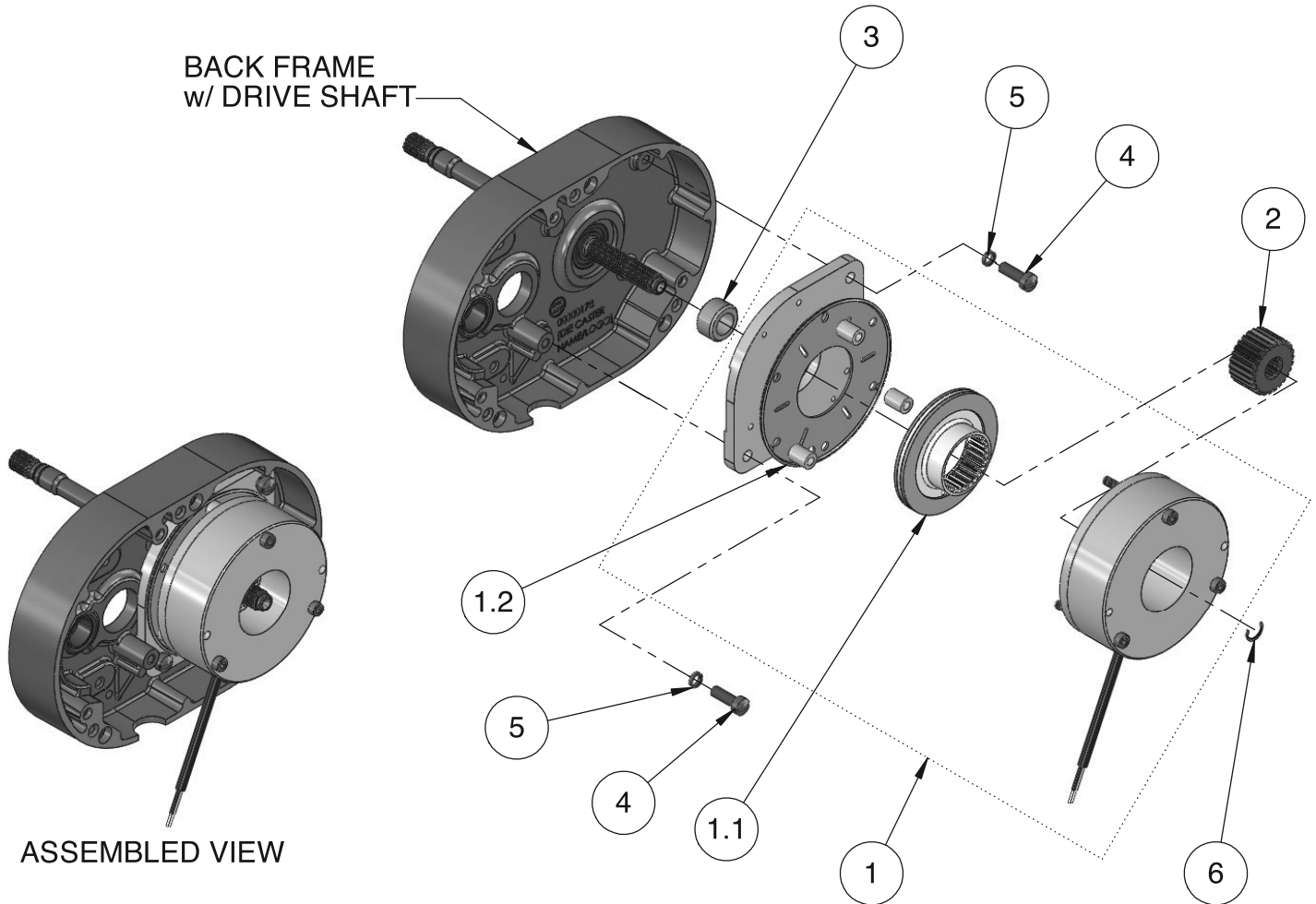


**TRIPLE-REEVED**

Item No.	Description	SINGLE-REEVED MODELS		TRIPLE REEVED MODELS	Qty.
		E, E-2, H, H-2	R, R-2, RR, RR-2	RT, RT-2, RRT, RRT	
1	LOWER HOOK BLOCK ASSEMBLY-COMLETE WITH LATCH TYPE HOOK	*00000272B	*00000277B	*36607	1
1.1	LOWER HOOK ASSEMBLY WITH LATCH AND BRG	28665	35645	36606	1
	LATCHLOK TYPE HOOK ASSEMBLY WITH BRG	-	-	-	
1.1.1	LOWER HOOK WITH LATCH	28687B	35612B	36353B	1
	LATCHLOK TYPE HOOK	28603	36681	*	
1.1.1.1	LATCH KIT	45662	45663	45663	1
1.1.2	LOWER HOOK THRUST BEARING	88478	88505	88505	1
1.1.3	LOWER HOOK COLLAR	45385	35369	-	1
1.1.4	LOWER HOOK NUT	-	-	36352	1
1.1.5	LOWER HOOK PIN	45941	45946	983762	1
1.2	HOOK BLOCK (ORDER IN PAIRS)	00000271B	00000276B	36010B	2
1.3	HOOK BLOCK SHEAVE	00000273	00000274	36351	1
1.4	HOOK BLOCK SHEAVE BEARING	88429	83674	83670	2
1.5	HOOK BLOCK SCREW-LONG	982066	982374	-	2
1.6	HOOK BLOCK SCREW-SHORT	986191	982370	-	1
1.7	HOOK BLOCK LOCK WASHER	940802	940830	-	3
1.8	HOOK BLOCK NUT	982514	982445	-	3
1.9	HOOK BLOCK LABEL	00000766	00000766	-	2
1.10	HOOK BLOCK SCREWS WITH NUTS AND LOCK WASHERS (2 EACH)	-	-	C245	1
2	DEAD END SCREW WITH NUT AND LOCK WASHER	-	-	C249	1

\*Contact CM for Latchlok part number

# DC BRAKE - SINGLE MODELS A, A-2, AA, AA-2, B, B-2, C, C-2, E, E-2, F, F-2, H & H-2



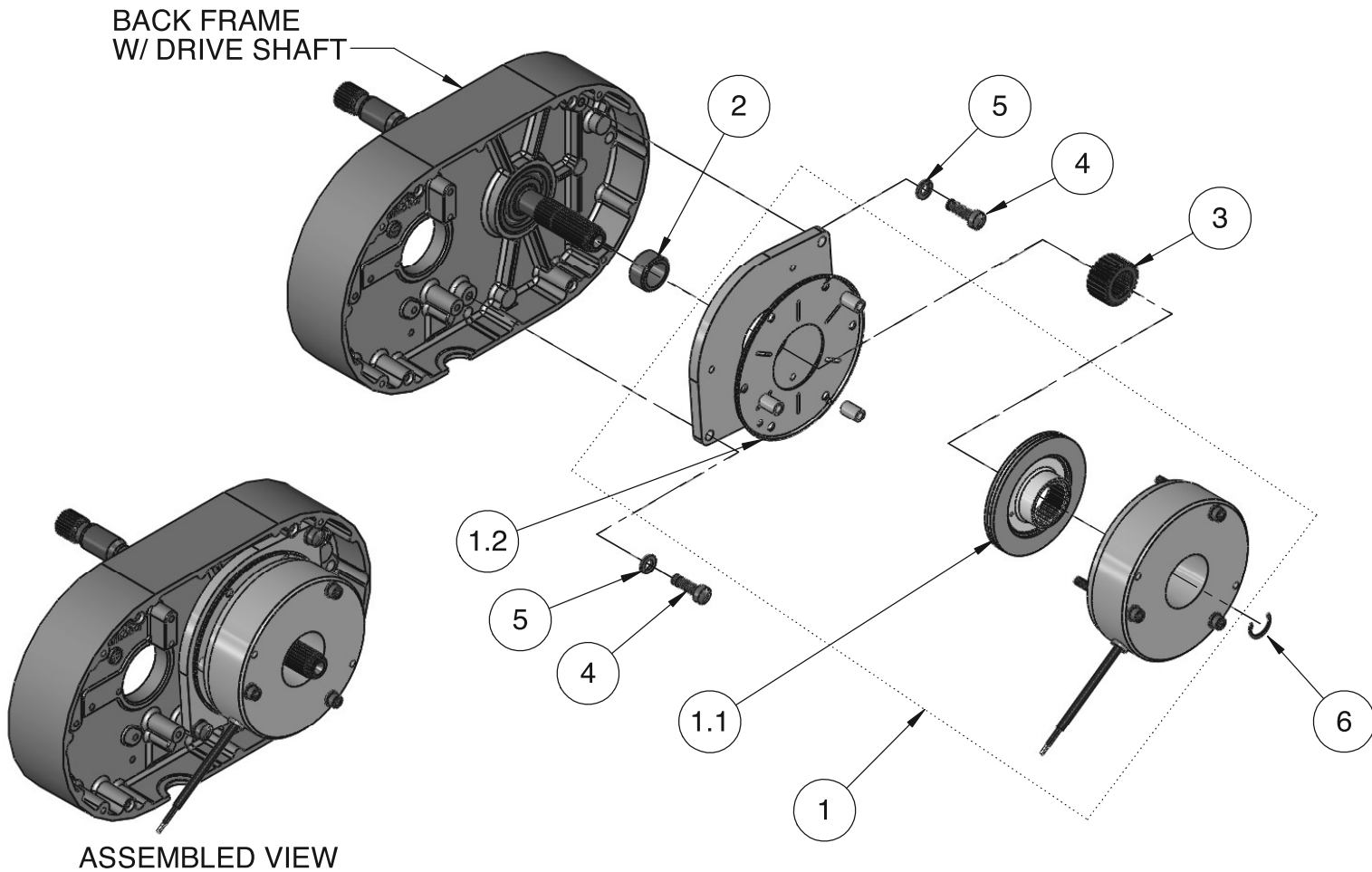
BRAKE ASSEMBLY ITEM 1	Hoist Motor	Brake Coil Voltage
10001243	110/115-1-50/60	103VDC
10001244	220/230-1-50/60 220/230-3-50/60 380/415/480-3-50/60	205VDC
10001245	550/575-3-50/60	255VDC

ITEM NO.	PART NUMBER	DESCRIPTION	QTY.
1	SEE TABLE	V1 LODESTAR SIZE 8	1
1.1	10001252	V1 LODESTAR SIZE 8 ROTOR	1
1.2	10001251	V1 LODESTAR SIZE 8 FRICTION PLATE	1
2	00001430	V1 LODESTAR SIZE 8 HUB	1
3	00001432	HUB SPACER V1 DC BRAKE	1
4	982708	SCREW 1/4-20 X .75" SL FIL HD	2
5	940802	LOCK WASHER 1/4 x .109 X .062"	2
6	10409710	ROTOR CLIP RETAINING RING	1



# DC BRAKE - SINGLE MODELS

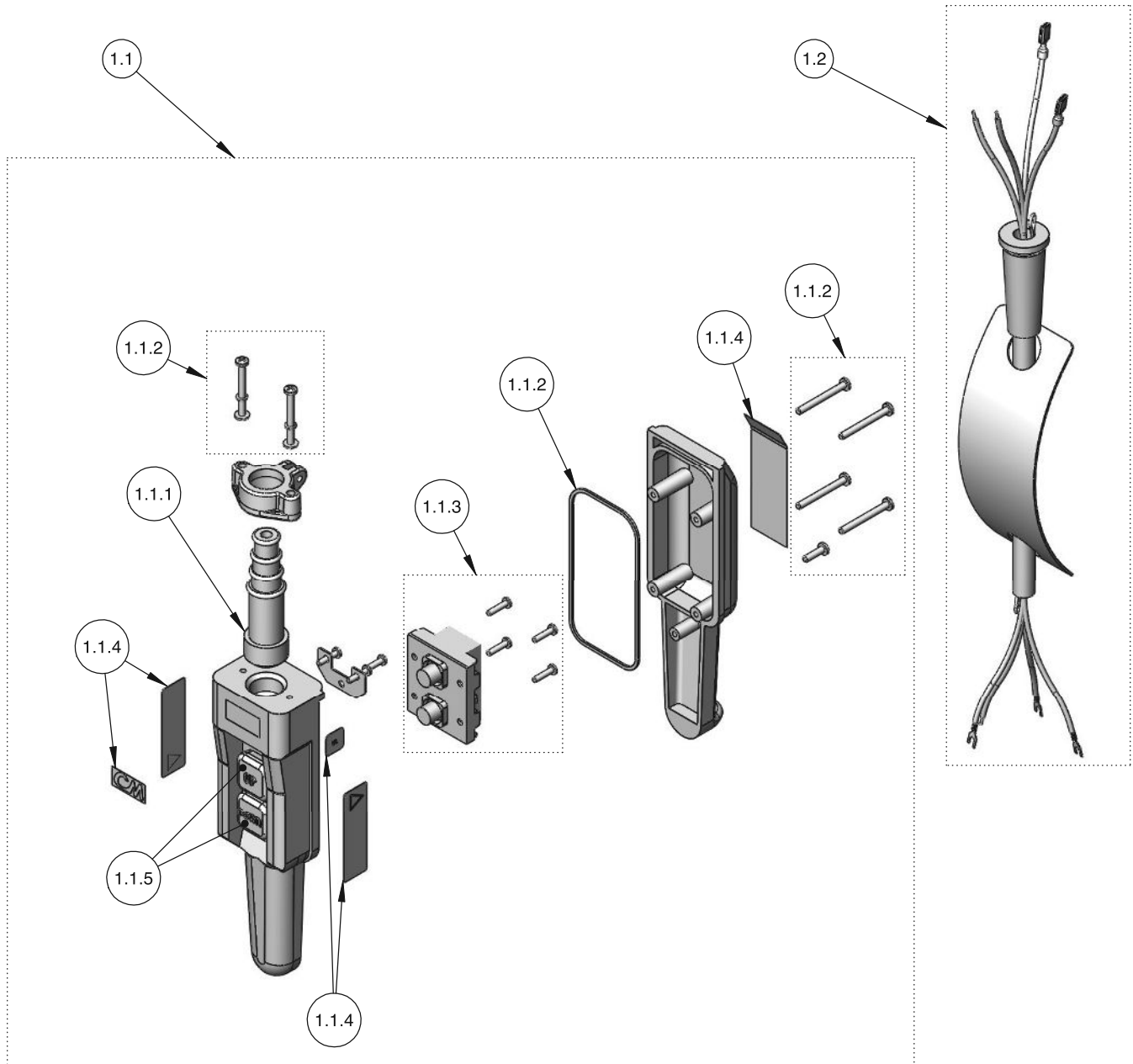
J, J-2, JJ, JJ-2, L, L-2, LL, LL-2, R, R-2, RR, RR-2, RRS, RT, RT-2, RRT & RRT-2



Hoist Model	Brake Assembly Item1	Rotor Item 1.1	Hoist Motor	Brake Coil Voltage
J, J-2, L, L-2, R, R-2, RT, RT-2	10001246	10001253	110/115-1-50/60	103VDC
	10001247	10001253	220/230-1-50/60 220/230-3-50/60 380/415/480-3-50/60	205VDC
	10001248	10001253	550/575-3-50/60	255VDC
JJ, JJ-2, LL, LL-2, RR, RR-2, RRS, RRT, & RRT-2	10001249	00001429	220/230-3-50/60 380/415/480-3-50/60	205VDC
	10001250	00001429	550/575-3-50/60	255VDC

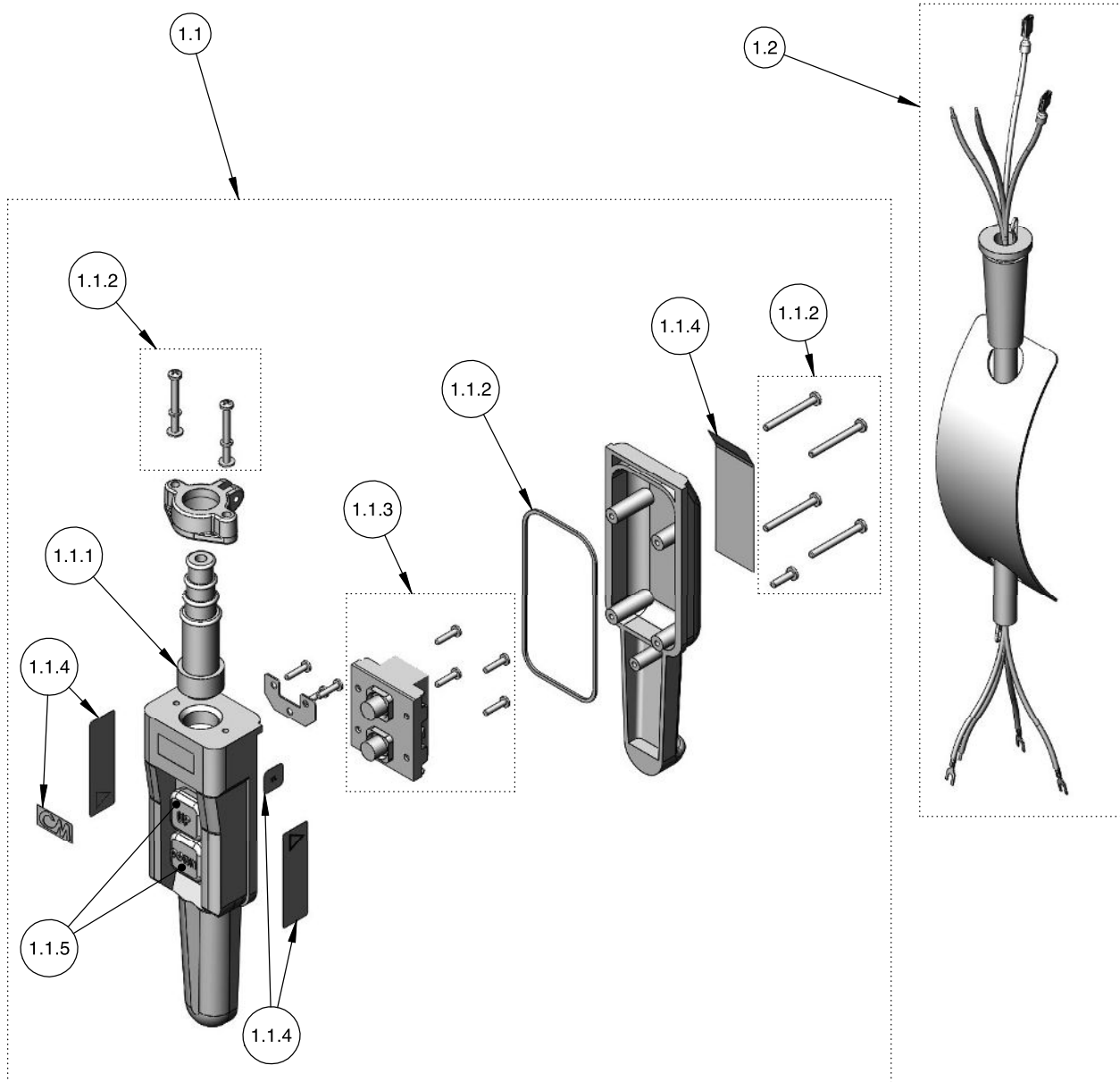
ITEM NO.	PART NUMBER	DESCRIPTION	QTY.
1	SEE TABLE	V2 LODESTAR SIZE 10 BRAKE	1
1.1	10001253	V2 LODESTAR SIZE 10 ROTOR	1
1.2	00001437	V2 LODESTAR FRICTION PLATE	1
2	00001433	HUB SPACER V2 DC INTORQ BRAKE	1
3	00001431	V2 LODESTAR SIZE 10 HUB	1
4	982709	SCREW 5/16-18UNC-2A x 1"	2
5	945851	LOCK WASHER 5/16 x .125 x .078"	2
6	10409711	ROTOR CLIP RETAINING RING	1

# COMPLETE CONTROL CORD AND STATION ASSEMBLY SINGLE SPEED HOIST CONTROL STATION



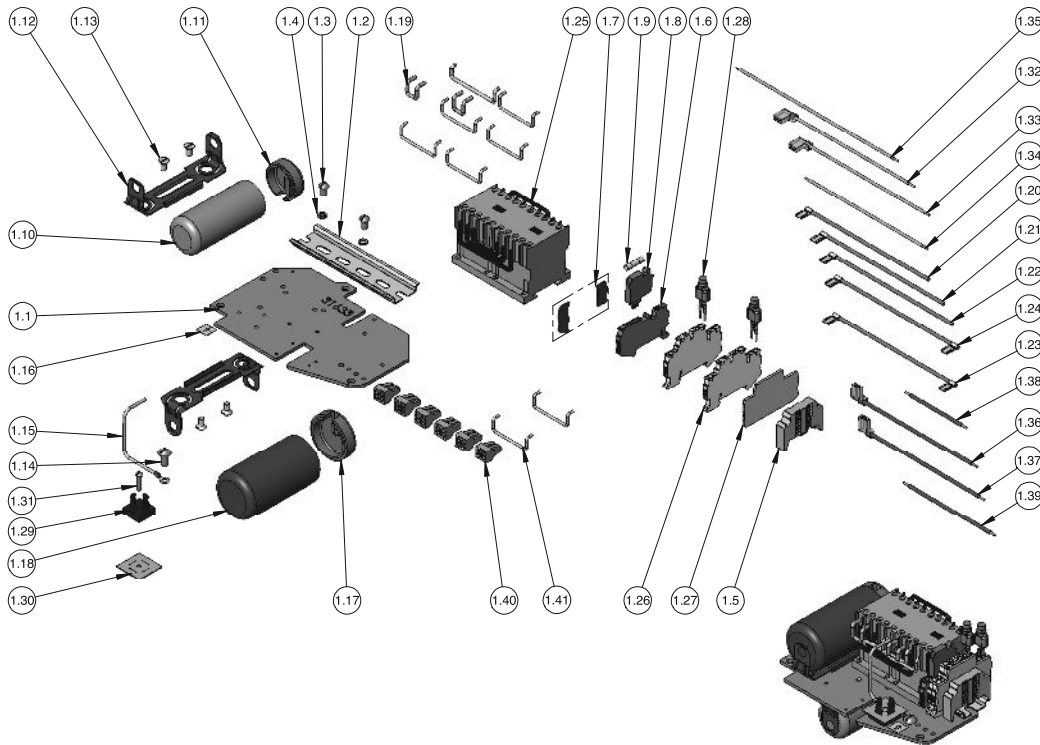
ITEM NO.	PART NUMBER	DESCRIPTION	QTY.
1	23606606	STATION ASSEMBLY AND CONTROL CORD FOR 10 FOOT LIFT	1
	23606611	STATION ASSEMBLY AND CONTROL CORD FOR 15 FOOT LIFT	
	23606616	STATION ASSEMBLY AND CONTROL CORD FOR 20 FOOT LIFT	
1.1	58272 2	BUTTON CONTROL STATION	1
1.1.1	58278	GROMMET	1
1.1.2	58275	HARDWARE KIT	1
1.1.3	58255	1-SPEED INSERT	1
1.1.4	58276	WARNING LABEL KIT	1
1.1.5	58277	BUTTON LABEL KIT	1
1.2	29353	CONTROL CORD - 10 FOOT LIFT	1
	29353-15	CONTROL CORD - 15 FOOT LIFT	
	29353-20	CONTROL CORD - 20 FOOT LIFT	

# COMPLETE CONTROL CORD AND STATION ASSEMBLY TWO SPEED HOIST CONTROL STATION



ITEM NO.	PART NUMBER	DESCRIPTION	QTY.
1	29348	STATION ASSEMBLY AND CONTROL CORD FOR 10 FOOT LIFT	1
	29348-15	STATION ASSEMBLY AND CONTROL CORD FOR 15 FOOT LIFT	
	29348-20	STATION ASSEMBLY AND CONTROL CORD FOR 20 FOOT LIFT	
1.1	58273 2	BUTTON CONTROL STATION	1
1.1.1	58278	GROMMET	1
1.1.2	58275	HARDWARE KIT	1
1.1.3	58256	2 - SPEED INSERT	1
1.1.4	58276	WARNING LABEL KIT	1
1.1.5	58277	BUTTON LABEL KIT	1
1.2	29349	CONTROL CORD - 10 FOOT LIFT	1
	29349-15	CONTROL CORD - 15 FOOT LIFT	
	29349-20	CONTROL CORD - 20 FOOT LIFT	

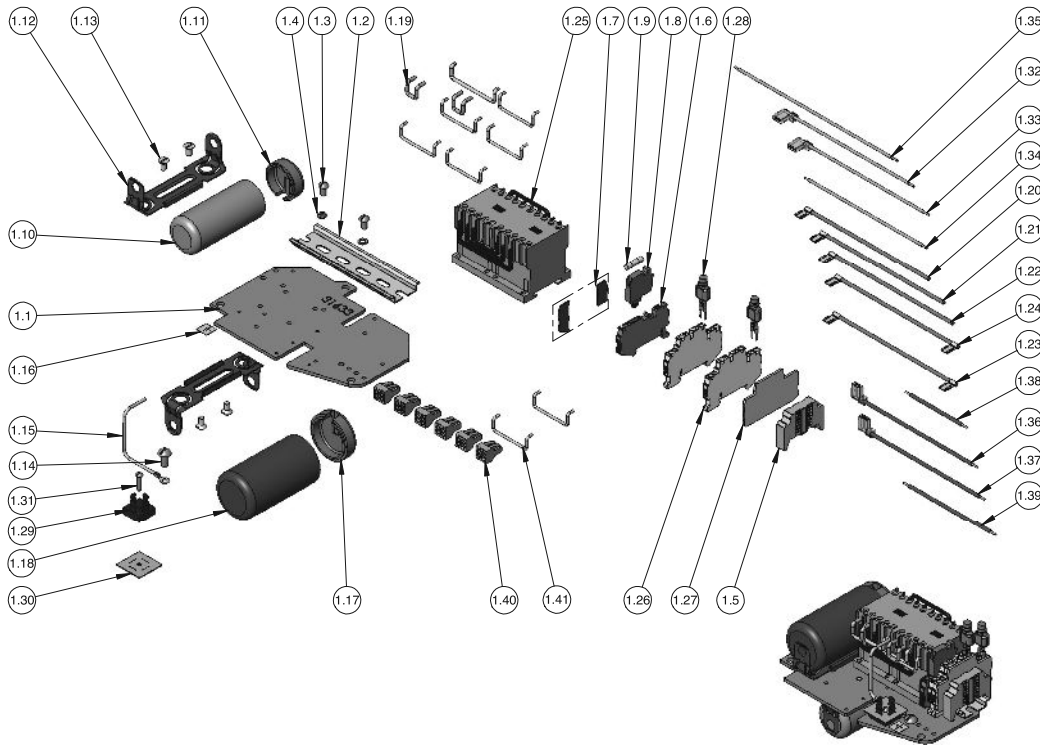
# CONTACTOR PLATE ASSEMBLY FOR USE WITH DC BRAKE AND TRANSFORMER 110/115-1-50/60 MODELS A, AA, B, C, E, F & H



CONTACTOR BKT S/A	REVERSING CONTACTOR	SECONDARY VOLTAGE
00001675	28860	24 V
00001676	24797	48 V

ITEM NO.	PART NUMBER	DESCRIPTION	QTY.
1	SEE TABLE	CONTACTOR PLATE S/A	1
1.1	31633	CONTACTOR PLATE	1
1.2	29312	DIN-RAIL 5.00" LONG	1
1.3	982696	SCREW #10-32 UNF-2A X 3/8" SL	2
1.4	987873	LOCK WASHER #10 ASA MEDIUM	2
1.5	909J13	TERMINAL STRIP END CLAMP	1
1.6	29018	FUSIBLE TERMINAL STRIP	1
1.7	0000398	TERMINAL STRIP COVER SEGMENT	1
1.8	29019	TERMINAL STRIP CARTRIDGE	1
1.9	0000393	FUSE-5MM X 20MM-500MA	1
1.10	27716	CAPACITOR	1
1.11	29910	CAPACITOR CAP	1
1.12	27910	CAPACITOR MOUNTING BRACKET	2
1.13	982696	SCREW 10-32 UNF-2A X 3/8 LG	4
1.14	987827	SCREW 1/4-20 UNC-2A X 1/2"	1
1.15	27189	JUMPER-G/Y-#16 AWG	1
1.16	20940	GROUND LABEL	1
1.17	27925	SOLID STATE SWITCH CAP	1
1.18	27257	REVERSE SWITCH	1
1.19	51845	JUMPER	2
1.20	27156	JUMPER R14	1
1.21	29911	JUMPER R5	1
1.22	29912	JUMPER R6	1
1.23	29913	JUMPER R7	1
1.24	29914	JUMPER R8	1
1.25	SEE TABLE	REVERSING CONTACTOR	1
1.26	00001506	TERMINAL STRIP	2
1.27	00001507	TERMINAL STRIP PARTITION	1
1.28	00000535	SURGE SUPPRESSOR	2
1.29	70246	RECTIFIER	1
1.30	70274	RECTIFIER INSULATOR	1
1.31	957854	ROUND HEAD MACHINE SCREW	1
1.32	00001500	B3-JUMPER	1
1.33	00001501	B4-JUMPER	1
1.34	00001504	JUMPER-B7	1
1.35	00001502	JUMPER-B1	1
1.36	00000376	B5 JUMPER	1
1.37	00000205	B6 JUMPER	1
1.38	00000537	B8 JUMPER	1
1.39	00000538	B9 JUMPER	1
1.40	11782704	CONNECTOR PUSHWIRE ORANGE	6
1.41	51847	JUMPER	8

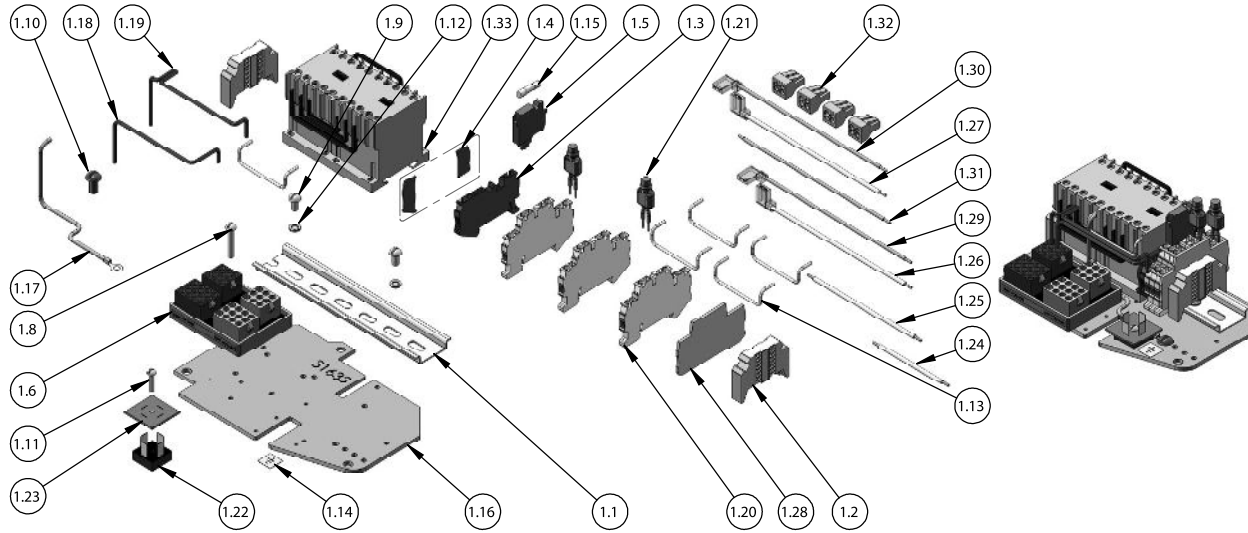
# CONTACTOR PLATE ASSEMBLY FOR USE WITH DC BRAKE AND TRANSFORMER 110/115-1-50/60 MODELS A, AA, B, C, E, F & H



CONTACTOR BKT S/A	REVERSING CONTACTOR	SECONDARY VOLTAGE
00001677	28860	24 V
00001678	24797	48 V
00001679	24799	110 V

ITEM NO.	PART NUMBER	DESCRIPTION	QTY.
1	SEE TABLE	CONTACTOR PLATE S/A	1
1.1	31633	CONTACTOR PLATE	1
1.2	29312	D11.3 982686 SCREW #10-32 UNF-2A X 3/8" SL	2
1.3	982686	SCREW #10-32 UNF-2A X 3/8" SL	2
1.4	987873	LOCK WASHER #10 ASA MEDIUM	2
1.5	909J13	TERMINAL STRIP END CLAMP	1
1.6	29018	FUSIBLE TERMINAL STRIP	1
1.7	00000398	TERMINAL STRIP COVER SEGMENT	1
1.8	29019	TERMINAL STRIP CARTRIDGE	1
1.9	00000393	FUSE-5MM X 20MM-500MA	1
1.10	27716	CAPACITOR	1
1.11	29910	CAPACITOR CAP	1
1.12	27910	CAPACITOR MOUNTING BRACKET	2
1.13	982696	SCREW 10-32 UNF-2A X 3/8 LG	4
1.14	987827	SCREW 1/4-20 UNC-2A X 1/2"	1
1.15	27189	JUMPER-G/Y-#16 AWG	1
1.16	20940	GROUND LABEL	1
1.17	27925	SOLID STATE SWITCH CAP	1
1.18	27257	REVERSE SWITCH	1
1.19	51847	JUMPER	8
1.20	51845	JUMPER	2
1.21	27156	JUMPER R14	1
1.22	29911	JUMPER R5	1
1.23	29912	JUMPER R6	1
1.24	29913	JUMPER R7	1
1.25	29914	JUMPER R8	1
1.26	SEE TABLE	REVERSING CONTACTOR	1
1.27	00001506	TERMINAL STRIP	2
1.28	00001507	TERMINAL STRIP PARTITION	1
1.29	00000535	SURGE SUPPRESSOR	2
1.30	70246	RECTIFIER	1
1.31	70274	RECTIFIER INSULATOR	1
1.32	957854	ROUND HEAD MACHINE SCREW	1
1.33	00001500	B3-JUMPER	1
1.34	00001501	B4-JUMPER	1
1.35	00001504	JUMPER-B7	1
1.36	00001502	JUMPER-B1	1
1.37	00000376	B5 JUMPER	1
1.38	00000205	B6 JUMPER	1
1.39	00000537	B8 JUMPER	1
1.40	00000538	B9 JUMPER	1
1.41	11782704	CONNECTOR PUSHWIRE ORANGE	7
1.42	29014	TERMINAL STRIP	1
1.43	00001503	JUMPER-B2	1

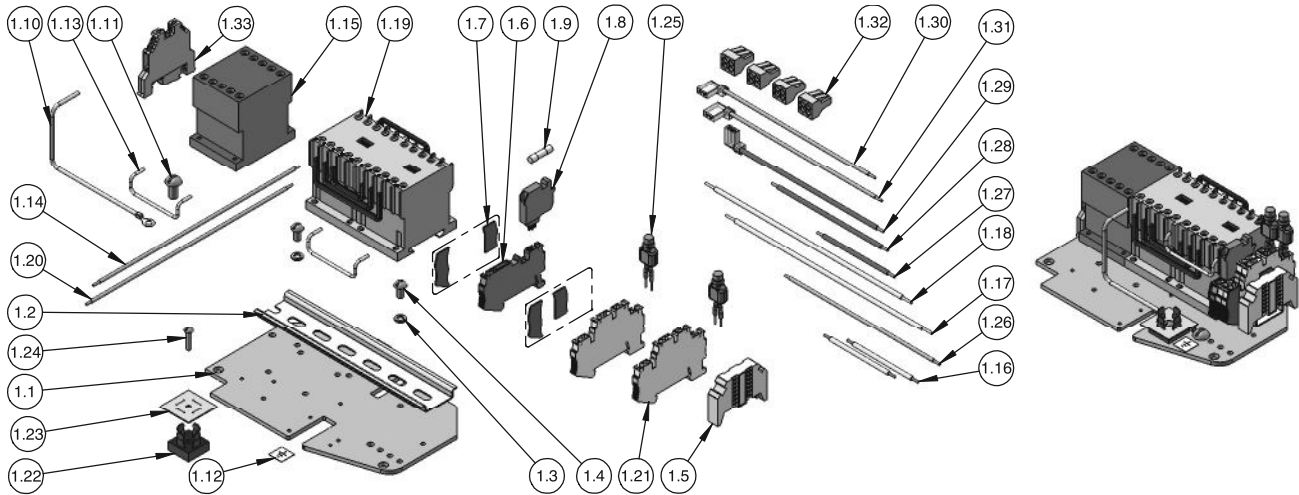
# CONTACTOR PLATE ASSEMBLY FOR USE WITH DC BRAKE 1-SPEED, DUAL VOLTAGE UNITS 220/230-380/415/460-3-50/60 MODELS A, AA, B, C, E, F & H



CONTACTOR BKT S/A	REVERSING CONTACTOR	SECONDARY VOLTAGE
00001680	28860	24 V
00001681	24797	48 V
00001682	24799	110 V

ITEM NO.	PART NUMBER	DESCRIPTION	QTY.
1	SEE TABLE	CONTACTOR BKT S/A BHSE	1
1.1	29010	DIN-RAIL 6.50" LONG	1
1.2	909J13	TERMINAL STRIP END CLAMP	2
1.3	29018	FUSIBLE TERMINAL STRIP	1
1.4	00000398	TERMINAL STRIP COVER SEGMENT	1
1.5	29019	TERMINAL STRIP CARTRIDGE	1
1.6	10001233	VOLTAGE CHANGE BOARD	1
1.8	987862	SCREW #8-32UNC-2A X 1"	1
1.9	982686	SCREW #10-32 UNF-2A X 3/8" SL	2
1.10	987827	SCREW 1/4-20 UNC-2A X 1/2"	1
1.11	957854	SCREW #6-32 NC-2 X 5/8" ROUND	1
1.12	987873	LOCK WASHER #10 ASA MEDIUM	2
1.13	51847	Jumper 14 AWG Black,	5
1.14	20940	GROUND LABEL	1
1.15	00000393	FUSE-5MM X 20MM-500MA	1
1.16	31633	CONTACTOR PLATE	1
1.17	27189	JUMPER-G/Y-#16 AWG	1
1.18	00000750	JUMPER WIRE	1
1.19	00000751	JUMPER WIRE	1
1.20	00001506	TERMINAL STRIP	3
1.21	00001505	SURGE SUPPRESSOR	2
1.22	70246	RECTIFIER	1
1.23	70274	RECTIFIER INSULATOR	1
1.24	00000537	B8 JUMPER	1
1.25	00000538	B9 JUMPER	1
1.26	00000376	B5 JUMPER	1
1.27	00000205	B6 JUMPER	1
1.28	00001507	TERMINAL STRIP PARTITION	1
1.29	00001501	B4-JUMPER	1
1.30	00001500	B3-JUMPER	1
1.31	00001504	JUMPER-B7	1
1.32	11782704	CONNECTOR PUSHWIRE ORANGE	4
1.33	SEE TABLE	REVERSING CONTACTOR	1

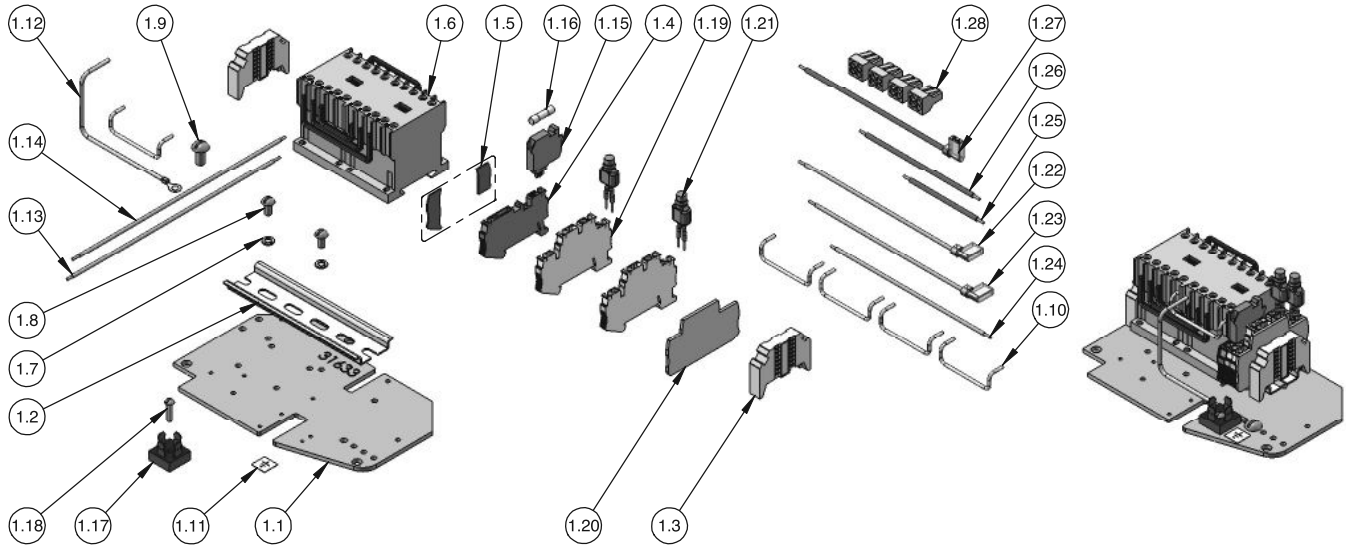
# CONTACTOR PLATE ASSEMBLY FOR USE WITH DC BRAKE 2-SPEED UNITS 220/230-3-50/60 MODELS A-2, AA-2, B-2, C-2, E-2, F-2 & H-2



CONTACTOR BKT S/A	REVERSING CONTACTOR	SPEED SELECTOR	SECONDARY VOLTAGE
00001683	28860	28878	24 V
00001684	24797	28871	48 V
00001685	24799	28870	110 V

ITEM NO.	PART NUMBER	DESCRIPTION	QTY.
1	SEE TABLE	CONTACTOR PLT S/A 2-SPEED	1
1.1	31633	CONTACTOR PLATE	
1.2	29010	DIN-RAIL 6.50" LONG	1
1.3	987873	LOCK WASHER #10 ASA MEDIUM	2
1.4	982686	SCREW #10-32 UNF-2A X 3/8" SL	2
1.5	909J13	TERMINAL STRIP END CLAMP	1
1.6	29018	FUSIBLE TERMINAL STRIP	1
1.7	00000398	TERMINAL STRIP COVER SEGMENT	2
1.8	29019	TERMINAL STRIP CARTRIDGE	1
1.9	00000393	FUSE-5MM X 20MM-500MA	1
1.10	27189	JUMPER-G/Y-#16 AWG	1
1.11	987827	SCREW 1/4-20 UNC-2A X 1/2"	1
1.12	20940	GROUND LABEL	1
1.13	51847	JUMPER	6
1.14	00001503	JUMPER-B2	1
1.15	SEE TABLE	CONTACTOR	1
1.16	51845	JUMPER	1
1.17	27609	JUMPER	1
1.18	27610	JUMPER	1
1.19	SEE TABLE	REVERSING CONTACTOR	1
1.20	00001502	JUMPER-B1	1
1.21	00001506	TERMINAL STRIP	2
1.22	70246	RECTIFIER	1
1.23	70274	RECTIFIER INSULATOR	1
1.24	957854	ROUND HEAD MACHINE SCREW	1
1.25	00000535	SURGE SUPPRESSOR	2
1.26	00001504	JUMPER-B7	1
1.27	00000537	B8 JUMPER	1
1.28	00000538	B9 JUMPER	1
1.29	00000205	B6 JUMPER	1
1.30	00001500	B3-JUMPER	1
1.31	00001501	B4-JUMPER	1
1.32	11782704	CONNECTOR PUSHWIRE ORANGE	4
1.33	10001433	EARTH GROUNDING BLOCK	1

# CONTACTOR PLATE ASSEMBLY FOR USE WITH DC BRAKE 550/575-3-50/60 MODELS A, AA, B, C, E, F & H

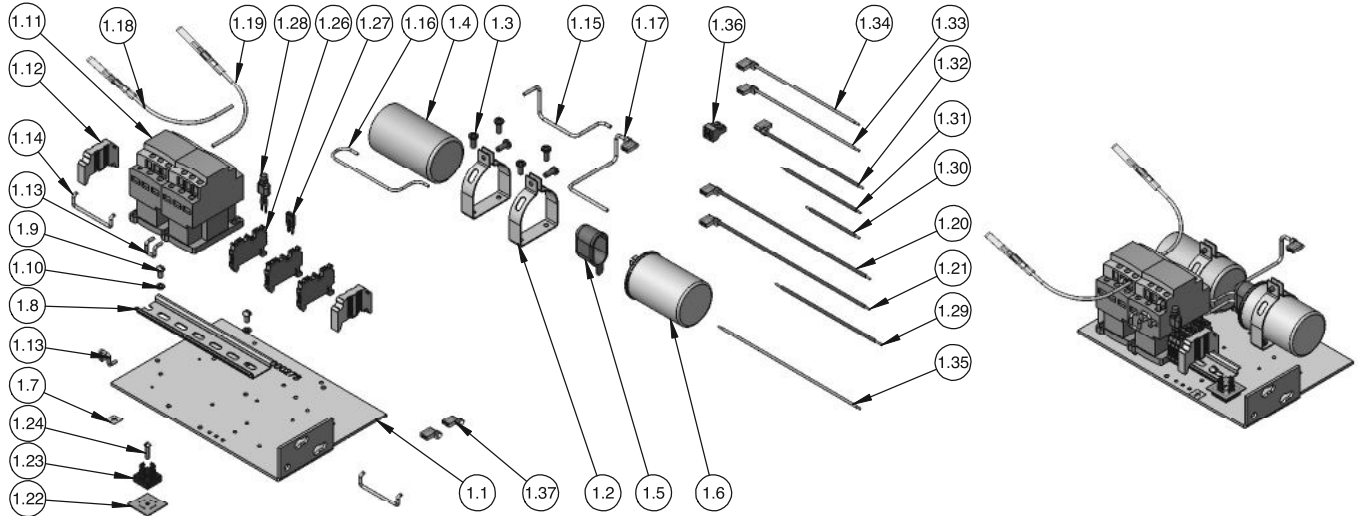


CONTACTOR BKT S/A	REVERSING CONTACTOR	SECONDARY VOLTAGE
00001689	28860	24 V
00001690	24797	48 V
00001691	24799	110 V

ITEM NO.	PART NUMBER	DESCRIPTION	QTY.
1	SEE TABLE	CONTACTOR PLT S/A	1
1.1	31633	CONTACTOR PLATE	1
1.2	29312	DIN-RAIL 5.00" LONG	1
1.3	909J13	TERMINAL STRIP END CLAMP	2
1.4	29018	FUSIBLE TERMINAL STRIP	1
1.5	00000398	TERMINAL STRIP COVER SEGMENT	1
1.6	SEE TABLE	REVERSING CONTACTOR	1
1.7	987873	LOCK WASHER #10 ASA MEDIUM	2
1.8	982686	SCREW #10-32 UNF-2A X 3/8" SL	2
1.9	987827	SCREW 1/4-20 UNC-2A X 1/2"	1
1.10	51847	JUMPER	5
1.11	20940	GROUND LABEL	1
1.12	27189	JUMPER-G/Y-#16 AWG	1
1.13	00001502	JUMPER-B1	1
1.14	00001503	JUMPER-B2	1
1.15	29019	TERMINAL STRIP CARTRIDGE	1
1.16	00000393	FUSE-5MM X 20MM-500MA	1
1.17	00001551	RECTIFIER	1
1.18	957854	ROUND HEAD MACHINE SCREW	1
1.19	00001506	TERMINAL STRIP	2
1.20	00001507	TERMINAL STRIP PARTITION	1
1.21	00001505	SURGE SUPPRESSOR	2
1.22	00001500	B3-JUMPER	1
1.23	00001501	B4-JUMPER	1
1.24	00001504	JUMPER-B7	1
1.25	00000537	B8 JUMPER	1
1.26	00000538	B9 JUMPER	1
1.27	00000205	B6 JUMPER	1
1.28	11782704	CONNECTOR PUSHWIRE ORANGE	4

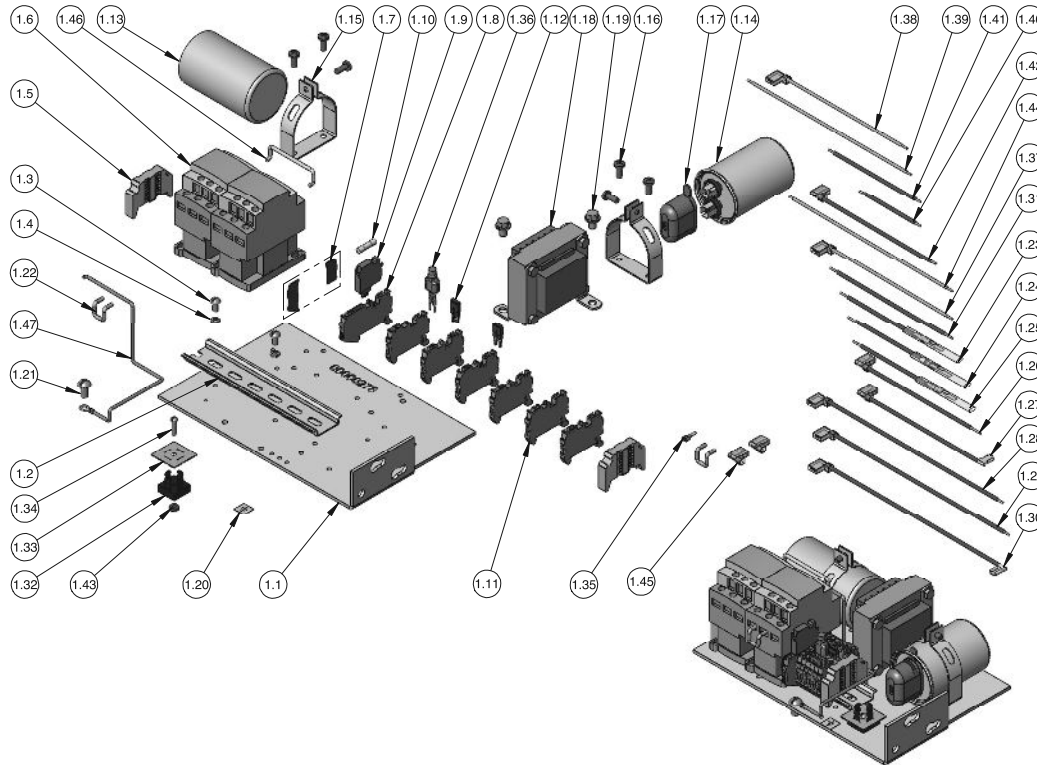


# CONTACTOR PLATE ASSEMBLY FOR USE WITH DC BRAKE 110/115-1-50/60 MODELS J, L, R & RT



ITEM NO.	PART NUMBER	DESCRIPTION	QTY.
1	00001695	CONTACTOR BRACKET S/A	1
1.1	00000278	CONTACTOR BRACKET	1
1.2	35268	CLAMP	2
1.3	982873	MACHINE SCREW PAN HEAD	6
1.4	35279	START CAPACITOR	1
1.5	35285	RUN CAPACITOR INSULATOR	1
1.6	35278	CAPACITOR, RUN	1
1.7	20940	GROUND LABEL	1
1.8	29010	DIN-RAIL 6.50" LONG	1
1.9	982686	SCREW #10-32 UNF-2A X 3/8" SL	2
1.10	987873	LOCK WASHER #10 ASA MEDIUM	2
1.11	28905	REVERSING CONTACTOR	1
1.12	909J13	TERMINAL STRIP END CLAMP	2
1.13	51845	JUMPER	2
1.14	51847	JUMPER	2
1.15	29034	JUMPER (R10)	1
1.16	29035	JUMPER (R4)	1
1.17	00000758	JUMPER V2 1 PHASE (R9)	1
1.18	29036	JUMPER (R2)	1
1.19	29037	JUMPER (R3)	1
1.20	00000755	JUMPER V2 1 PHASE (R7)	1
1.21	00000757	JUMPER V2 1 PHASE (R6)	1
1.22	70274	RECTIFIER INSULATOR	1
1.23	70246	RECTIFIER	1
1.24	957854	ROUND HEAD MACHINE SCREW	1
1.25	982470	HEX HEAD MACHINE NUT	1
1.26	29014	TERMINAL STRIP	3
1.27	29047	TERMINAL STRIP BRIDGE	1
1.28	00000535	SURGE SUPPRESSOR	1
1.29	00000336	JUMPER (R12)	1
1.30	00000537	B8 JUMPER	1
1.31	00000538	B9 JUMPER	1
1.32	00000376	B5 JUMPER	1
1.33	00001500	B3-JUMPER	1
1.34	00001501	B4-JUMPER	1
1.35	00001503	JUMPER-B2	1
1.36	11782704	CONNECTOR PUSHWIRE ORANGE	1
1.37	983197	WIRING TERMINAL	2

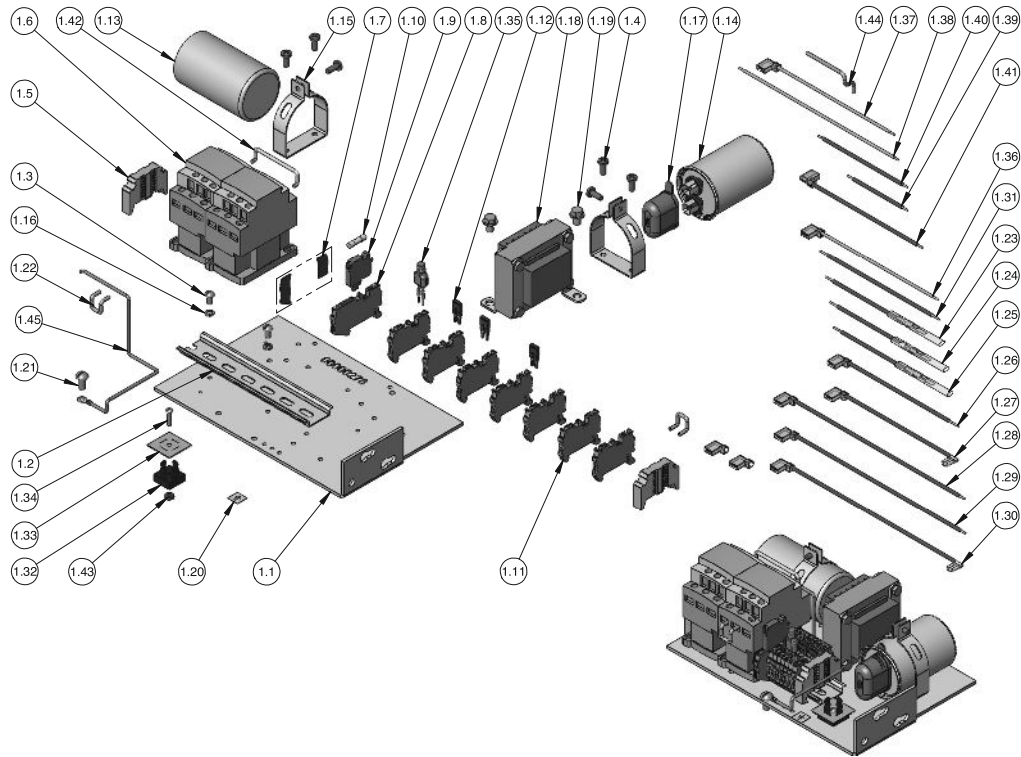
# CONTACTOR PLATE ASSEMBLY FOR USE WITH AC BRAKE AND TRANSFORMER 110/115-1-50/60 MODELS J, L, R & RT



CONTACTOR BKT S/A	REVERSING CONTACTOR P/N	TRANSFORMER P/N	SECONDARY VOLTAGE
00001696	24791	00000592T	24 V
00001697	28906	00000593T	48 V
00001698	24791	00000594T	110 V

ITEM NO.	PART NUMBER	DESCRIPTION	QTY.
1	SEE TABLE	CONTACTOR BKT S/A	1
1.1	00000278	CONTACTOR BRACKET	1
1.2	29010	DIN-RAIL 6.50" LONG	1
1.3	982686	SCREW #10-32 UNF-2A X 3/8" SL	2
1.4	987873	LOCK WASHER #10 ASA MEDIUM	2
1.5	909J13	TERMINAL STRIP END CLAMP	2
1.6	SEE TABLE	REVERSING CONTACTOR	1
1.7	00000398	TERMINAL STRIP COVER SEGMENT	1
1.8	29018	FUSIBLE TERMINAL STRIP	1
1.9	29019	TERMINAL STRIP CARTRIDGE	1
1.10	00000393	FUSE-5MM X 20MM-500MA	1
1.11	29014	TERMINAL STRIP	6
1.12	29047	TERMINAL STRIP BRIDGE	2
1.13	35279	START CAPACITOR	1
1.14	35278	CAPACITOR, RUN	1
1.15	35268	CLAMP	2
1.16	982873	MACHINE SCREW PAN HEAD	6
1.17	35285	RUN CAPACITOR INSULATOR	1
1.18	SEE TABLE	TRANSFORMER-V2-110/115 PRIMARY	1
1.19	25861	SCREW 1/4-20 UNC-2A X 3/8" HEX	2
1.20	20940	GROUND LABEL	1
1.21	987827	SCREW 1/4-20 UNC-2A X 1/2"	1
1.22	51845	JUMPER	2
1.23	29038	JUMPER (R5)	1
1.24	29037	JUMPER (R3)	1
1.25	29036	JUMPER (R2)	1
1.26	29034	JUMPER (R10)	1
1.27	29035	JUMPER (R4)	1
1.28	00000755	JUMPER V2 1 PHASE (R7)	1
1.29	00000757	JUMPER V2 1 PHASE (R6)	1
1.30	00000758	JUMPER V2 1 PHASE (R9)	1
1.31	00000336	JUMPER (R12)	1
1.32	70246	RECTIFIER	1
1.33	70274	RECTIFIER INSULATOR	1
1.34	957854	ROUND HEAD MACHINE SCREW	1
1.35	982237	DUAL ENTRY WIRE FERRULE	1
1.36	00000535	SURGE SUPPRESSOR	1
1.37	00001501	B4-JUMPER	1
1.38	00001500	B3-JUMPER	1
1.39	00001737	JUMPER 'B6'	1
1.40	00000537	B8 JUMPER	1
1.41	00000538	B9 JUMPER	1
1.42	00000376	B5 JUMPER	1
1.43	982470	HEX HEAD MACHINE NUT	1
1.44	00001503	JUMPER-B2	1
1.45	983197	WIRING TERMINAL	2
1.46	51847	JUMPER	1
1.47	GROUND JUMPER	JUMPER-G/Y-#16 AWG	1

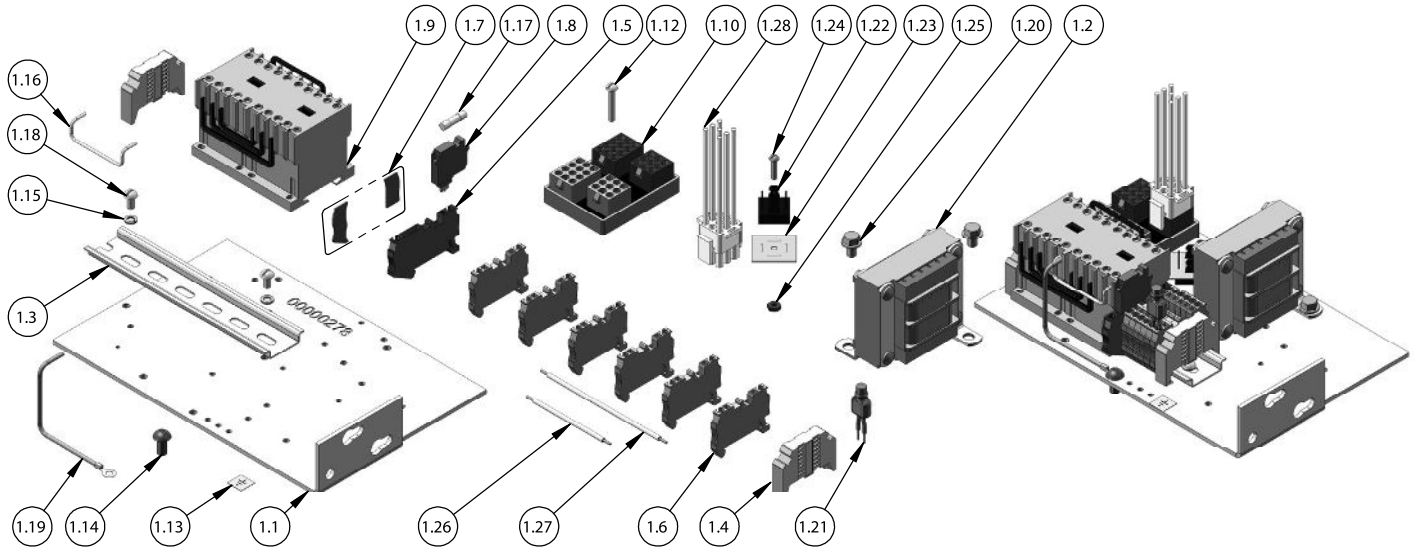
# CONTACTOR PLATE ASSEMBLY FOR USE WITH DC BRAKE 1-SPEED UNITS 220/230-1-50/60 MODELS J, L, R & RT



CONTACTOR BKT S/A	REVERSING CONTACTOR P/N	TRANSFORMER P/N	SECONDARY VOLTAGE
00001698	24791	00000594T	24 V
00001699	28906	00000595T	48 V
00001700	28905	00000596T	110 V

ITEM NO.	PART NUMBER	DESCRIPTION	QTY.
1	SEE TABLE	CONTACTOR BKT S/A	1
1.1	00000278	CONTACTOR BRACKET	1
1.2	29010	DIN-RAIL 6.50" LONG	1
1.3	982686	SCREW #10-32 UNF-2A X 3/8" SL	2
1.4	982873	MACHINE SCREW PAN HEAD	6
1.5	909J13	TERMINAL STRIP END CLAMP	2
1.6	SEE TABLE	REVERSING CONTACTOR	1
1.7	00000398	TERMINAL STRIP COVER SEGMENT	1
1.8	29018	FUSIBLE TERMINAL STRIP	1
1.9	29019	TERMINAL STRIP CARTRIDGE	1
1.10	00000393	FUSE-5MM X 20MM-500MA	1
1.11	29014	TERMINAL STRIP	7
1.12	29047	TERMINAL STRIP BRIDGE	3
1.13	35279	START CAPACITOR	1
1.14	35278	CAPACITOR, RUN	1
1.15	35268	CLAMP	2
1.16	987873	LOCK WASHER #10 ASA MEDIUM	2
1.17	35285	RUN CAPACITOR INSULATOR	1
1.18	SEE TABLE	TRANSFORMER-V2-230/460 PRIMARY	1
1.19	25861	SCREW 1/4-20 UNC-2A X 3/8" HEX	2
1.20	20940	GROUND LABEL	1
1.21	987827	SCREW 1/4-20 UNC-2A X 1/2"	1
1.22	51845	JUMPER	2
1.23	29038	JUMPER (R5)	1
1.24	29037	JUMPER (R3)	1
1.25	29036	JUMPER (R2)	1
1.26	29034	JUMPER (R10)	1
1.27	29035	JUMPER (R4)	1
1.28	00000755	JUMPER V2 1 PHASE (R7)	1
1.29	00000757	JUMPER V2 1 PHASE (R6)	1
1.30	00000758	JUMPER V2 1 PHASE (R9)	1
1.31	00000336	JUMPER (R12)	1
1.32	70246	RECTIFIER	1
1.33	70274	RECTIFIER INSULATOR	1
1.34	957854	ROUND HEAD MACHINE SCREW	1
1.35	00000535	SURG SUPPRESSOR	1
1.36	00001501	B4-JUMPER	1
1.37	00001500	B3-JUMPER	1
1.38	00001737	JUMPER 'B6'	1
1.39	00000537	B8 JUMPER	1
1.40	00000538	B9 JUMPER	1
1.41	00000376	B5 JUMPER	1
1.42	51847	JUMPER	1
1.43	982470	HEX HEAD MACHINE NUT	1
1.44	00000321	JUMPER-R13	1
1.45	27190	JUMPER-G/Y-#16 AWG	1
1.46	983197	WIRING TERMINAL	2

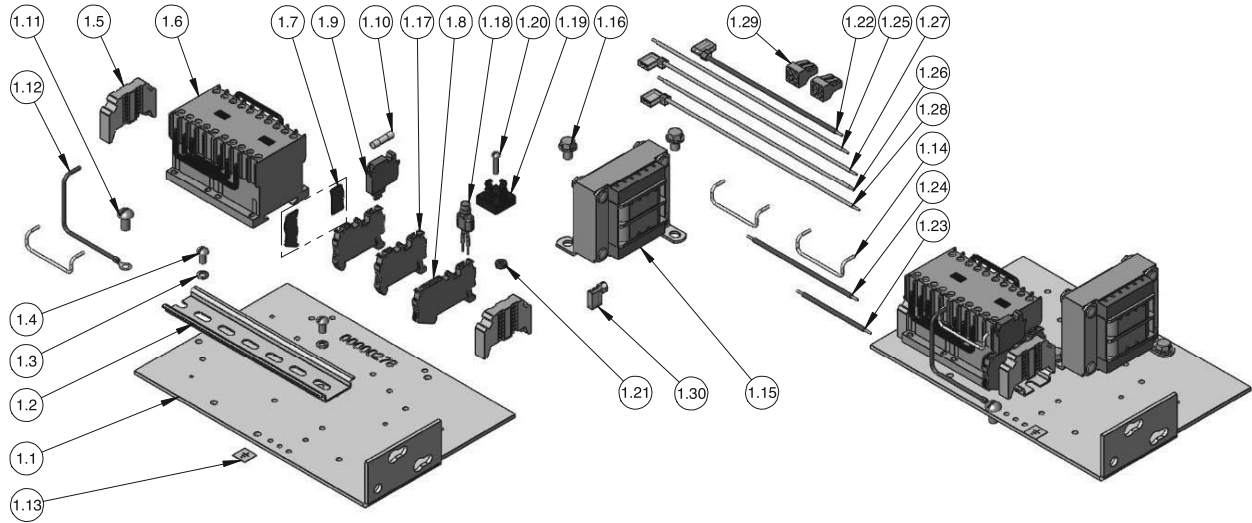
# CONTACTOR PLATE ASSEMBLY FOR USE WITH DC BRAKE 1-SPEED, DUAL VOLTAGE UNITS 220/230-380/415/460-3-50/60 MODELS J, JJ, L, LL, R, RR, RT & RRT



CONTACTOR BKT S/A	TRANSFORMER	REVERSING CONTACTOR	SECONDARY VOLTAGE
00001701	00000594T	28860	24 V
00001702	00000595T	24797	48 V
00001703	00000596T	24799	110 V

ITEM NO.	PART NUMBER	DESCRIPTION	QTY.
1	SEE TABLE	CONTACTOR BKT S/A BHSE	1
1.1	00000278	CONTACTOR BRACKET	1
1.2	SEE TABLE	TRANSFORMER-V2-230/460	1
1.3	29010	DIN-RAIL 6.50" LONG	1
1.4	909J13	TERMINAL STRIP END CLAMP	2
1.5	29018	FUSIBLE TERMINAL STRIP	1
1.6	29014	TERMINAL STRIP	6
1.7	00000398	TERMINAL STRIP COVER SEGMENT	1
1.8	29019	FUSIBLE TERMINAL STRIP	1
1.9	SEE TABLE	REVERSING CONTACTOR	1
1.10	27672	VOLTAGE CHANGE BOARD	1
1.12	987862	SCREW #8-32UNC-2A X 1"	1
1.13	20940	GROUND LABEL	1
1.14	987827	SCREW 1/4-20 UNC-2A X 1/2"	1
1.15	987873	LOCK WASHER #10 ASA MEDIUM	2
1.16	51847	JUMPER	1
1.17	00000393	FUSE-5MM X 20MM-500MA	1
1.18	982686	SCREW #10-32 UNF-2A X 3/8" SL	2
1.19	27189	JUMPER-G/Y-#16 AWG	1
1.20	25861	SCREW 1/4-20 UNC-2A X 3/8" HEX	2
1.21	00000535	SURGE SUPPRESSOR	1
1.22	70246	RECTIFIER	1
1.23	70274	RECTIFIER INSULATOR	1
1.24	957854	SCREW #6-32 NC-2 X 5/8" ROUND	1
1.25	982470	NUT #6-32 UNC-2A HEX MACHINE	1
1.26	00000537	B8 JUMPER	1
1.27	00000538	B9 JUMPER	1
1.28	00000204	HARNESS V2/CONTACTOR	1

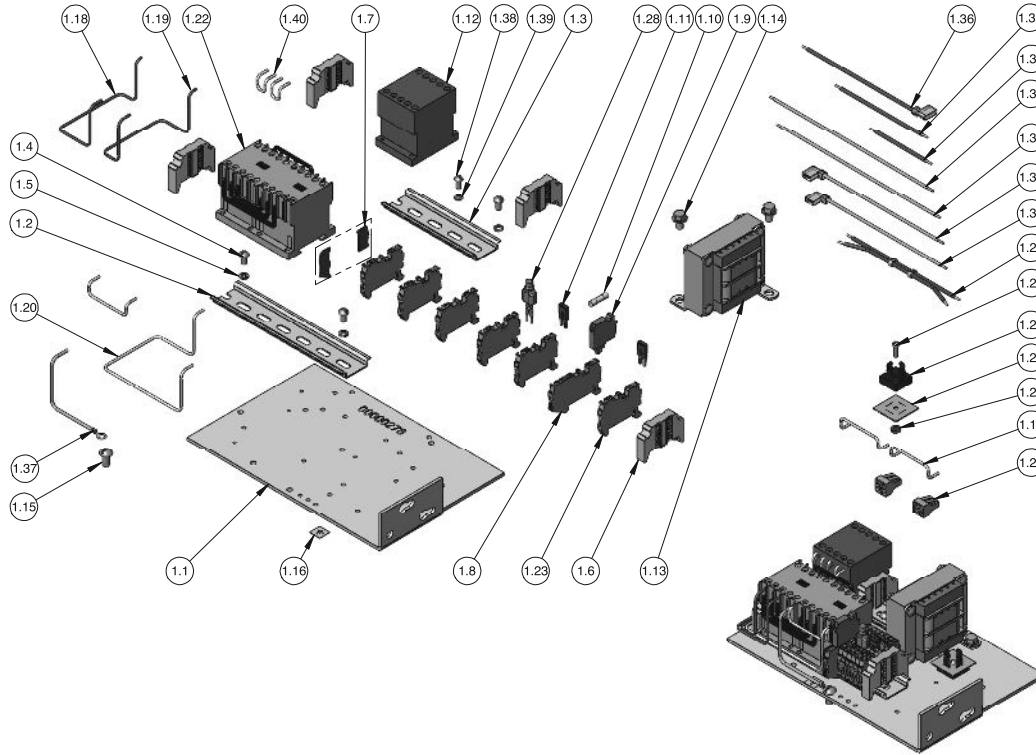
# CONTACTOR PLATE ASSEMBLY FOR USE WITH DC BRAKE 550/575-3-50/60 MODELS J, JJ, L, LL, R, RR, RT & RRT



CONTACTOR BKT S/A	TRANSFORMER	REVERSING CONTACTOR	SECONDARY VOLTAGE
00001710	00000597T	28860	24 V
00001711	00000598T	24797	48 V
00001712	00000599T	24799	110 V

ITEM NO.	PART NUMBER	DESCRIPTION	QTY.
1	SEE TABLE	CONTACTOR BKT S/A BHSE	1
1.1	00000278	CONTACTOR BRACKET	1
1.2	29010	DIN-RAIL 6.50" LONG	1
1.3	987873	LOCK WASHER #10 ASA MEDIUM 2	
1.4	982686	SCREW #10-32 UNF-2A X 3/8" SL	2
1.5	909J13	TERMINAL STRIP END CLAMP	2
1.6	SEE TABLE	REVERSING CONTACTOR	1
1.7	00000398	TERMINAL STRIP COVER SEGMENT 1	
1.8	29018	FUSIBLE TERMINAL STRIP	1
1.9	29019	TERMINAL STRIP CARTRIDGE	1
1.10	00000393	FUSE-5MM X 20MM-500MA	1
1.12	27189	JUMPER-G/Y-#16 AWG	1
1.13	20940	GROUND LABEL JUMPER-G/Y-#16 AWG	1
1.14	51847	JUMPER	3
1.15	SEE TABLE	TRANSFORMER-V2-575V PRIMARY	1
1.16	25861	SCREW 1/4-20 UNC-2A X 3/8" HEX	2
1.17	29014	TERMINAL STRIP	2
1.18	00001505	SURGE SUPPRESSOR	1
1.19	00001551	RECTIFIER	1
1.20	957854	ROUND HEAD MACHINE SCREW	1
1.21	982470	HEX HEAD MACHINE NUT	1
1.22	00000376	B5 JUMPER	1
1.23	00000537	B8 JUMPER	1
1.24	00000538	B9 JUMPER	1
1.25	00001502	JUMPER-B1	1
1.26	00001503	JUMPER-B2	1
1.27	00001535	JUMPER 'B4'	1
1.28	00001536	JUMPER 'B3'	1
1.29	11782704	CONNECTOR PUSHWIRE ORANGE	2
1.30	983197	WIRING TERMINAL	1

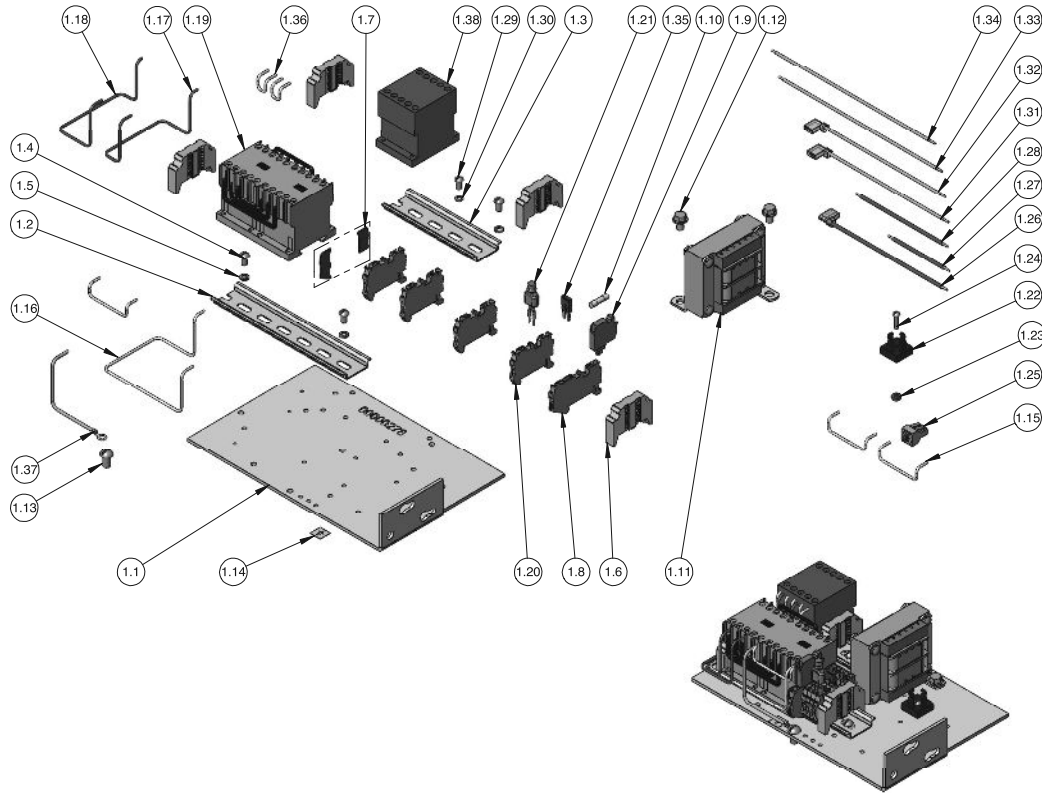
# CONTACTOR PLATE ASSEMBLY FOR USE WITH DC BRAKE 2-SPEED UNITS 220/230-3-50/60 MODELS J-2, JJ-2, L-2, LL-2, R-2, RR-2, RT-2 & RRT-2



CONTACTOR BKT S/A	TRANSFORMER	REVERSING CONTACTOR	SPEED SELECTING CONTACTOR	SECONDARY VOLTAGE
00001704	00000594T	28860	28878	24 V
00001705	00000595T	24797	28871	48 V
00001706	00000596T	24799	28870	110 V

ITEM NO.	PART NUMBER	DESCRIPTION	QTY.
1	SEE TABLE	CONTACTOR BKT S/A	1
1.1	00000278	CONTACTOR BRACKET	1
1.2	29010	DIN-RAIL 6.50" LONG	1
1.3	29009	DIN-RAIL 4.50" LONG	1
1.4	982686	SCREW #10-32 UNF-2A X 3/8" SL	3
1.5	987873	LOCK WASHER #10 ASA MEDIUM	3
1.6	909J13	TERMINAL STRIP END CLAMP	4
1.7	00000398	TERMINAL STRIP COVER SEGMENT	1
1.8	29018	FUSIBLE TERMINAL STRIP	1
1.9	29019	TERMINAL STRIP CARTRIDGE	1
1.10	00000393	FUSE-5MM X 20MM-500MA	1
1.11	29047	TERMINAL STRIP BRIDGE	2
1.12	SEE TABLE	CONTACTOR	1
1.13	SEE TABLE	TRANSFORMER-V2-230/460	1
1.14	25861	SCREW 1/4-20 UNC-2A X 3/8" HEX	2
1.15	987827	W 1/4-20 UNC-2A X 1/2"	1
1.16	20940	GROUND LABEL	1
1.17	51847	JUMPER	3
1.18	27652	JUMPER (R4)	1
1.19	27657	JUMPER (R5)	1
1.20	27736	JUMPER (W5)	1
1.21	00000327	'H5/H6' JUMPER HARNESS	1
1.22	SEE TABLE	REVERSING CONTACTOR	1
1.23	29014	TERMINAL STRIP	6
1.24	70246	RECTIFIER	1
1.25	70274	RECTIFIER INSULATOR	1
1.26	957854	ROUND HEAD MACHINE SCREW	1
1.27	982470	HEX HEAD MACHINE NUT	1
1.28	00000535	SURGE SUPPRESSOR	1
1.29	11782704	CONNECTOR PUSHWIRE ORANGE	2
1.30	00001500	B3-JUMPER	1
1.31	00001501	B4-JUMPER	1
1.32	00001502	JUMPER-B1	1
1.33	00001503	JUMPER-B2	1
1.34	00000537	B8 JUMPER	1
1.35	00000538	B9 JUMPER	1
1.36	00000376	B5 JUMPER	1
1.37	27189	GROUND JUMPER	1
1.38	982683	SCREW #8-32 UNC-2A X 3/8"	1
1.39	957844	LOCK WASHER #8 ASA MEDIUM	1
1.40	27662	JUMPER	2

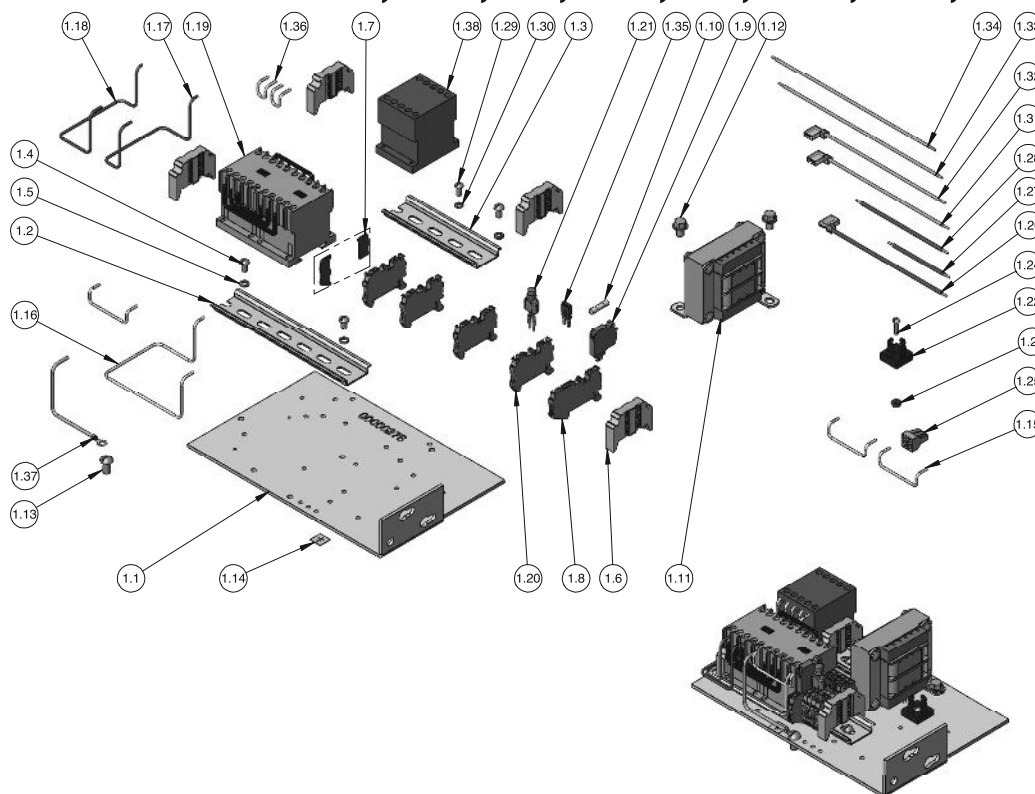
# CONTACTOR PLATE ASSEMBLY FOR USE WITH DC BRAKE 2-SPEED UNITS 380/415/460-3-50/60 MODELS J-2, JJ-2, L-2, LL-2, R-2, RR-2, RT-2 & RRT-2



CONTACTOR BKT S/A	TRANSFORMER	REVERSING CONTACTOR	SPEED SELECTING CONTACTOR	SECONDARY VOLTAGE
00001707	00000594T	28860	28878	24 V
00001708	00000595T	24797	28871	48 V
00001709	00000596T	24799	28870	110 V

ITEM NO.	PART NUMBER	DESCRIPTION	QTY.
1	SEE TABLE	CONTACTOR BKT S/A	1
1.1	0000278	CONTACTOR BRACKET	1
1.2	29010	DIN-RAIL 6.50" LONG	1
1.3	29009	DIN-RAIL 4.50" LONG	1
1.4	982686	SCREW #10-32 UNF-2A X 3/8" SL	3
1.5	987873	LOCK WASHER #10 ASA MEDIUM	3
1.6	909J13	TERMINAL STRIP END CLAMP	4
1.7	00000398	TERMINAL STRIP COVER SEGMENT	1
1.8	29018	FUSIBLE TERMINAL STRIP	1
1.9	29019	TERMINAL STRIP CARTRIDGE	1
1.10	00000393	FUSE-5MM X 20MM-500MA	1
1.11	SEE TABLE	TRANSFORMER-V2-230/460	1
1.12	25861	SCREW 1/4-20 UNC-2A X 3/8" HEX	2
1.13	20940	GROUND LABEL	1
1.14	51847	JUMPER	3
1.15	27652	JUMPER (W5)	1
1.16	27657	JUMPER (R4)	1
1.17	27736	JUMPER (R5)	1
1.18	SEE TABLE	REVERSING CONTACTOR	1
1.19	29014	TERMINAL STRIP	6
1.20	00000535	SURGE SUPPRESSOR	1
1.21	70246	RECTIFIER	1
1.22	982470	HEX HEAD MACHINE NUT	1
1.23	957854	ROUND HEAD MACHINE SCREW	1
1.24	11782704	CONNECTOR PUSHWIRE ORANGE	2
1.25	00000376	B5 JUMPER	1
1.26	00000537	B8 JUMPER	1
1.27	00000538	B9 JUMPER	1
1.28	982683	SCREW #8-32 UNC-2A X 3/8"	1
1.29	957844	LOCK WASHER #8 ASA MEDIUM	1
1.30	27662	JUMPER	2
1.31	00001500	B3-JUMPER	1
1.32	00001501	B4-JUMPER	1
1.33	00001502	JUMPER-B1	1
1.34	00001503	JUMPER-B2	1
1.35	29047	TERMINAL STRIP BRIDGE	1
1.36	27662	JUMPER	2
1.37	27189	GROUND JUMPER	1
1.38	LC1K09	CONTACTOR	1

# CONTACTOR PLATE ASSEMBLY FOR USE WITH DC BRAKE 2-SPEED UNITS 550/575-3-50/60 MODELS J-2, JJ-2, L-2, LL-2, R-2, RR-2, RT-2, RRT-2

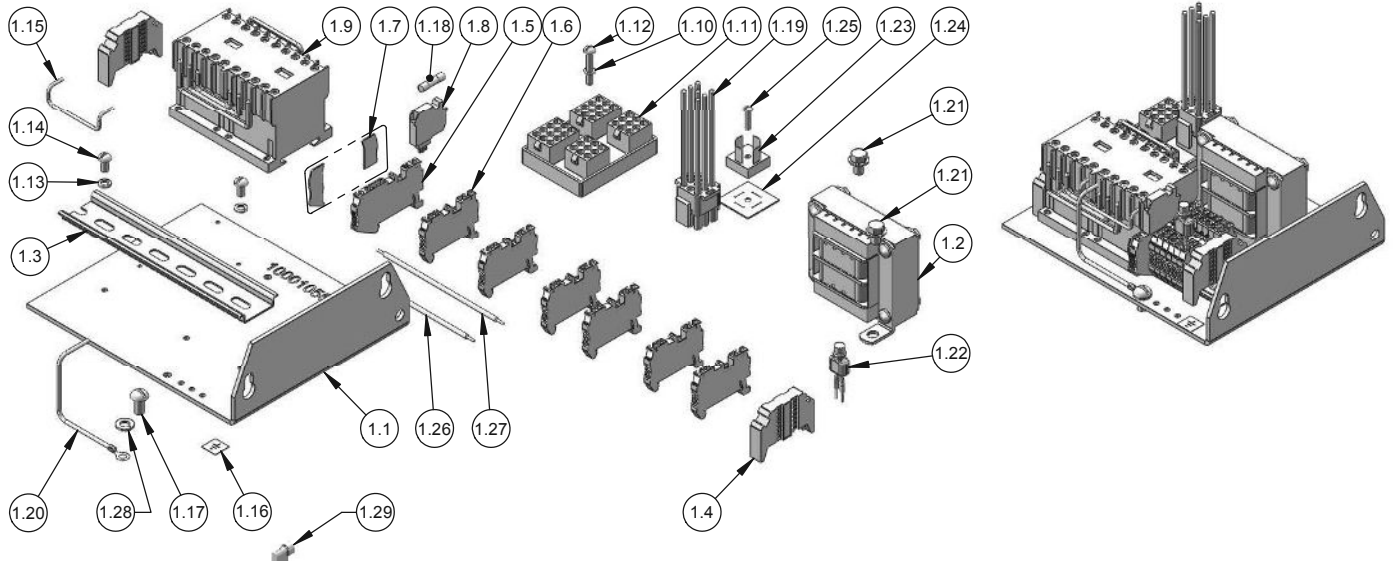


CONTACTOR BKT S/A	TRANSFORMER	REVERSING CONTACTOR	SPEED SELECTING CONTACTOR	SECONDARY VOLTAGE
00001713	00000597T	28860	28878	24 V
00001714	00000598T	24797	28871	48 V
00001715	00000599T	24799	28870	110 V

ITEM NO.	PART NUMBER	DESCRIPTION	QTY.
1	SEE TABLE	CONTACTOR BKT S/A	1
1.1	00000278	CONTACTOR BRACKET	1
1.2	29010	DIN-RAIL 6.50" LONG	1
1.3	29009	DIN-RAIL 4.50" LONG	1
1.4	982686	SCREW #10-32 UNF-2A X 3/8" SL	3
1.5	987873	LOCK WASHER #10 ASA MEDIUM	3
1.6	909J13	TERMINAL STRIP END CLAMP	4
1.7	00000398	TERMINAL STRIP COVER SEGMENT	1
1.8	29019	TERMINAL STRIP CARTRIDGE	1
1.9	00000393	FUSE-5MM X 20MM-500MA	1
1.10	29018	FUSIBLE TERMINAL STRIP	1
1.11	SEE TABLE	CONTACTOR	1
1.12	SEE TABLE	TRANSFORMER-V2-230/460	1
1.13	25861	SCREW 1/4-20 UNC-2A X 3/8" HEX	2
1.14	987827	SCREW 1/4-20 UNC-2A X 1/2"	1
1.15	20940	GROUND LABEL	1
1.16	51847	JUMPER	3
1.17	27662	JUMPER	2
1.18	27652	JUMPER (R4)	
1.19	27657	JUMPER (R5)	1
1.20	27736	JUMPER (W5)	
1.21	SEE TABLE	REVERSING CONTACTOR	1
1.22	29014	TERMINAL STRIP	6
1.23	00001551	RECTIFIER	1
1.24	957854	ROUND HEAD MACHINE SCREW	1
1.25	982470	HEX HEAD MACHINE NUT	1
1.26	00000376	B5 JUMPER	1
1.27	00000537	B8 JUMPER	1
1.28	00000538	B9 JUMPER	1
1.29	982683	SCREW #8-32 UNC-2A X 3/8"	1
1.30	00001500	B3-JUMPER	1
1.31	00001501	B4-JUMPER	1
1.32	11782704	CONNECTOR PUSHWIRE ORANGE	2
1.33	957844	LOCK WASHER #8 ASA MEDIUM	1
1.34	27189	GROUND JUMPER	1
1.35	982683	SCREW #8-32 UNC-2A X 3/8"	1
1.36	983197	WIRING TERMINAL	1



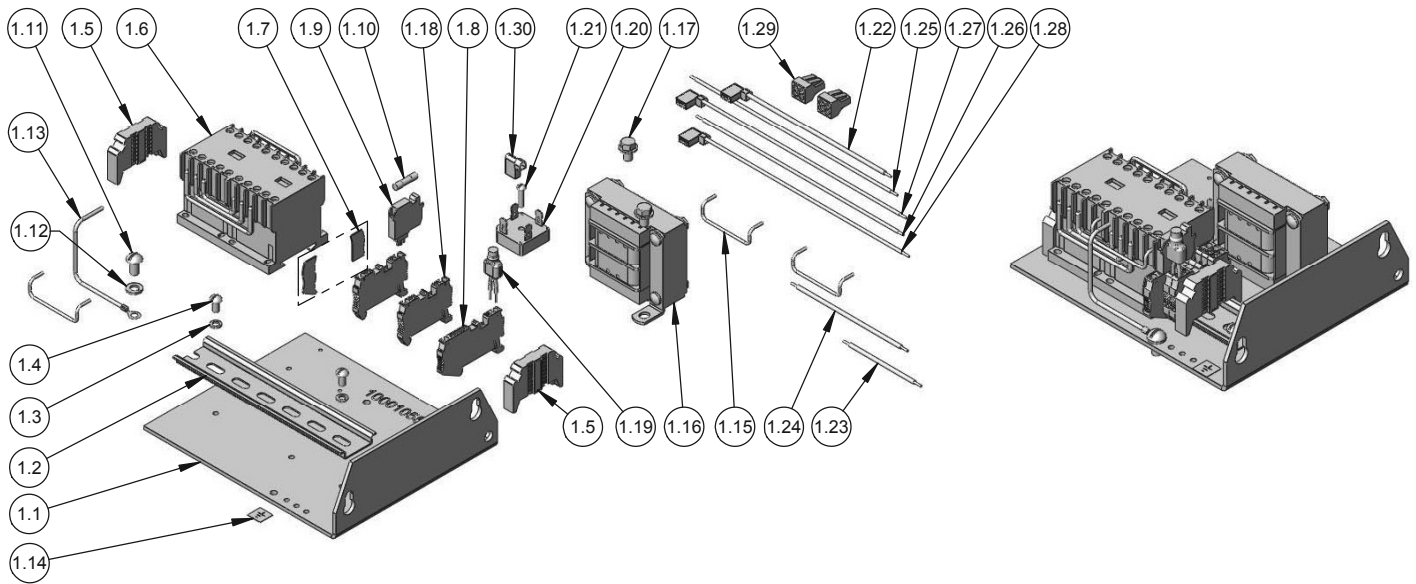
# CONTACTOR PLATE ASSEMBLY FOR USE WITH DC BRAKE 1-SPEED, DUAL VOLTAGE UNITS 220/230-380/415/460-3-50/60 MODELS: RRS



CONTACTOR BKT S/A	TRANSFORMER	REVERSING CONTACTOR	SECONDARY VOLTAGE
10001058	00000594T	28860	24 V
10001059	00000595T	24797	48 V
10001060	00000596T	24799	110 V

ITEM NO.	PART NUMBER	DESCRIPTION	QTY.
1	SEE TABLE	CTRLS ASSY-DUAL VOLTAGE	1
1.1	10001055	CONTACTOR CONTROLS BRACKET	1
1.2	SEE TABLE	TRANSFORMER-V2-230/460 PRIMARY	1
1.3	29010	DIN-RAIL 6.50" LONG	1
1.4	909J13	TERMINAL STRIP END CLAMP	2
1.5	29018	FUSEIBLE TERMINAL STRIP	1
1.6	29014	TERMINAL STRIP	6
1.7	00000398	TERMINAL STRIP COVER SEGMENT	1
1.8	29019	TERMINAL STRIP CARTRIDGE	1
1.9	SEE TABLE	REVERSING CONTACTOR	1
1.10	957844	LOCK WASHER	1
1.11	10001233	VOLTAGE CHANGE BOARD	1
1.12	987862	SCREW #8-32UNC-2A X 1"	1
1.13	987873	LOCK WASHER #10 ASA MEDIUM	2
1.14	982686	SCREW #10-32 UNF-2A X 3/8" SL	2
1.15	51847	JUMPER	1
1.16	20940	GROUND LABEL	1
1.17	987827	SCREW 1/4-20 UNC-2A X 1/2"	1
1.18	00000393	FUSE-5MM X 20MM-500MA	1
1.19	00001733	HARNESS V2/CONTACTOR	1
1.20	27189	JUMPER-G/Y-#16 AWG	1
1.21	25861	SCREW 1/4-20 UNC-2A X 3/8" HEX	2
1.22	00000535	SURGE SUPPRESSOR	1
1.23	70246	RECTIFIER	1
1.24	70274	INSULATOR, RECTIFIER	1
1.25	957854	SCREW #6-32 NC-2 X 5/8" ROUND	1
1.26	00000537	B8 JUMPER	1
1.27	00000538	B9 JUMPER	1
1.28	982226	LOCK WASHER 1/4 X .109 X .062"	1
1.29	983197	WIRING TERMINAL	1

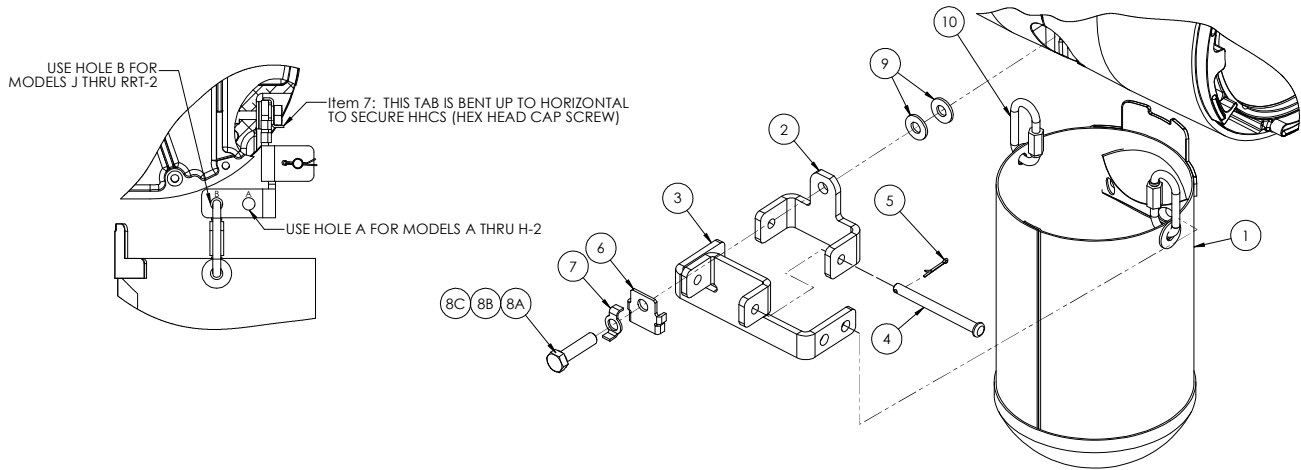
# CONTACTOR PLATE ASSEMBLY 550/575-3-50/60 FOR USE WITH DC BRAKE MODELS: RRS



CONTACTOR BKT S/A	TRANSFORMER	REVERSING CONTACTOR	SECONDARY VOLTAGE
10001061	00000597T	28860	24 V
10001062	00000598T	24797	48 V
10001063	00000599T	24799	110 V

ITEM NO.	PART NUMBER	DESCRIPTION	QTY.
1	SEE TABLE	CTRLS ASSY-575V	1
1.1	10001055	CONTACTOR CONTROLS BRACKET	1
1.2	29010	DIN-RAIL 6.50" LONG	1
1.3	987873	LOCK WASHER #10 ASA MEDIUM	2
1.4	982686	SCREW #10-32 UNF-2A X 3/8" SL	2
1.5	909J13	TERMINAL STRIP END CLAMP	2
1.6	SEE TABLE	REVERSING CONTACTOR	1
1.7	00000398	TERMINAL STRIP COVER SEGMENT	1
1.8	29018	FUSEIBLE TERMINAL STRIP	1
1.9	29019	TERMINAL STRIP CARTRIDGE	1
1.10	00000393	FUSE-5MM X 20MM-500MA	1
1.11	987827	SCREW 1/4-20 UNC-2A X 1/2"	1
1.12	982226	LOCK WASHER 1/4 X .109 X .062"	1
1.13	27189	JUMPER-G/Y-#16 AWG	1
1.14	20940	GROUND LABEL	1
1.15	51847	JUMPER	3
1.16	SEE TABLE	TRANSFORMER-V2-575V PRIMARY	1
1.17	25861	SCREW 1/4-20 UNC-2A X 3/8" HEX	2
1.18	29014	TERMINAL STRIP	2
1.19	00001505	SURGE SUPPRESSOR	1
1.20	00001551	RECTIFIER	1
1.21	957854	SCREW #6-32 NC-2 X 5/8" ROUND	1
1.22	00000376	B5 JUMPER	1
1.23	00000537	B8 JUMPER	1
1.24	00000538	B9 JUMPER	1
1.25	00001502	JUMPER-B1	1
1.26	00001503	JUMPER-B2	1
1.27	00001535	JUMPER 'B4'	1
1.28	00001536	JUMPER 'B3'	1
1.29	11782704	CONNECTOR PUSHWIRE ORANGE	2
1.30	983197	WIRING TERMINAL	1

# 5" METAL AND FABRIC CHAIN CONTAINER INSTALLATION INSTRUCTIONS

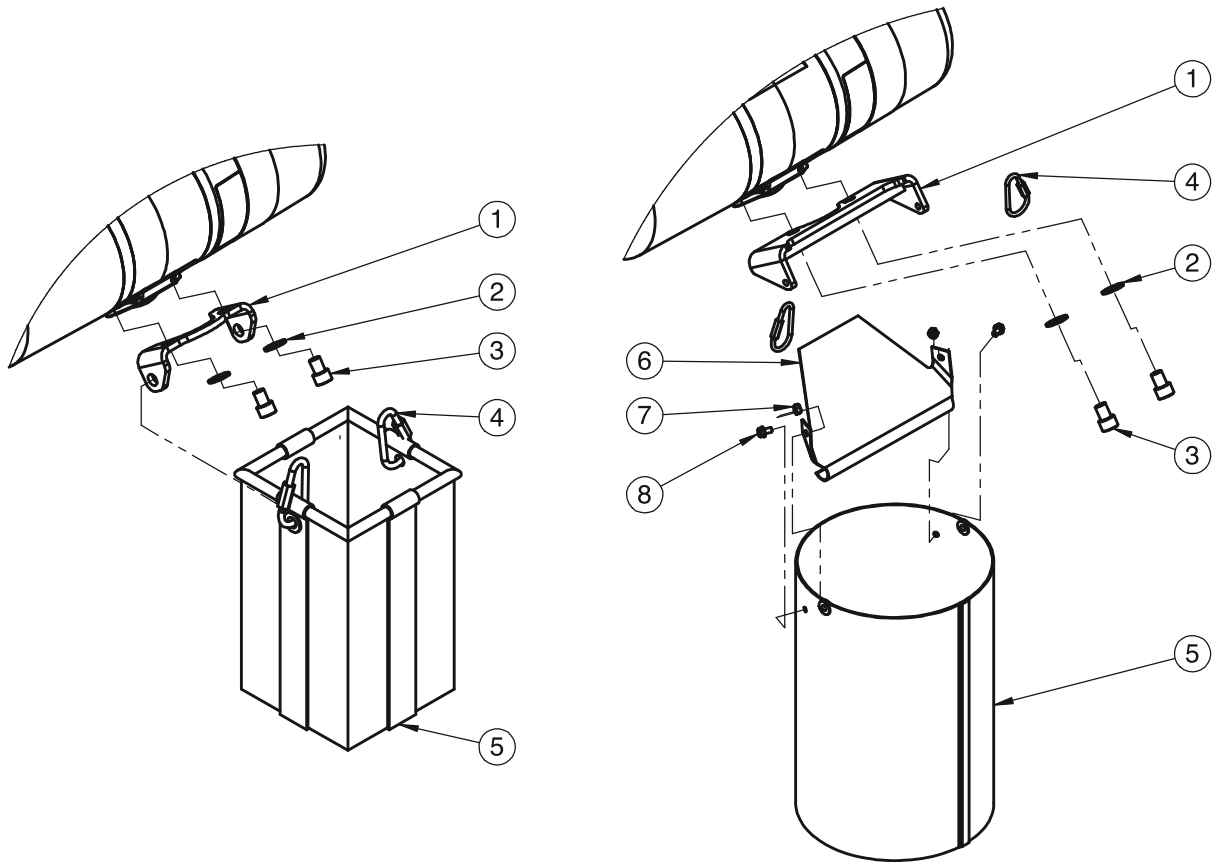


CHAIN CONTAINER BUCKET LENGTH VS. MODEL AND LIFT (TABLE A)

A THRU C2 & F THRU F-2	E, E-2, H, & H-2	J THRU LL-2	R THRU RR-2	RT THRU RRT-2	BUCKET LENGTH (INCHES)	METAL CONTAINER PART NUMBERS	FABRIC CONTAINER PART NUMBERS
LIFT IN FEET					-	-	-
10	5 -	-	-	-	8	2450	3813PNH
10 - 20	5 - 10	10	5	-	11	2451	3814PNH
20 - 30	10 - 15	10 - 15	5 - 7.5	5	14	2452	3810PNH
30 - 40	15 - 20	15 - 20	7.5 - 10	5 - 6.3	17	2453	3815PNH
40 - 50	20 - 25	20 - 25	10 - 12.5	6.3 - 8.3	20	2454	3816PNH
50 - 60	25 - 30	25 - 30	12.5 - 15	8.3 - 10	23	2455	3811PNH
60 - 90	30 - 45	30 - 40	15 - 20	10 - 13.3	31	2456	3817PNH
90 - 100	45 - 50	40 - 60	20 - 30	13.3 - 20	36	2457	3812PNH
100 - 140	50 - 70	60 - 90	30 - 45	20 - 30	48	2458	3818PNH

ITEM NO.	PART NUMBER	DESCRIPTION	QTY.
1	-	CHAIN CONTAINER BUCKET/BAG	1
-	-	CHAIN CONTAINER KIT 5" DIAMETER (CONSIST OF THE BELOW ITEMS)	1
2	-	UPPER BRACKET	1
3	-	LOWER BRACKET	1
4	-	PIN CLEVIS	1
5	-	COTTER PIN-1/16 X 3/4 LG	1
6	-	ADAPTER (V2) FOR MODELS J THRU RRT-2	1
7	-	SCREW HEAD RETAINER	1
8A	24650	HHCS 5/16-18 UNC-2A X 1 1/4 USE ONLY ON HOIST WITH SERIAL # BEGINNING WITH "NL" MODELS J THRU RRT AND WJ & WR	1
8B	-	HHCS 1/4-20 UNC-2A X 1 1 USE ONLY ON MODELS A THRU H-2	1
8C	-	HHCS 5/16-18 UNC-2A X 1 USE ONLY ON HOIST WITH SERIAL # BEGINNING WITH "L" OR "LW" MODELS J-RRT AND WJ & WR	1
9	-	WASHER 5/16 X 11/16 X .065 SAE USED ONLY ON HOIST WITH SERIAL # BEGINNING WITH "NL"	2
10	-	QUICK LINK	2

# RRS METAL AND FABRIC CHAIN CONTAINER INSTALLATION INSTRUCTION



CANVAS CHAIN CONTAINER BUCKET LENGTH VS LIFT	
Lift in Feet	Canvas Container Kit
20	10001562
30	10001568
40	10001569
50	10001570
60	10001571

METAL CHAIN CONTAINER BUCKET LENGTH VS LIFT	
Lift in Feet	Canvas Container Kit
30	10001563
55	10001564
80	10001565
105	10001566
130	10001567

Item #	Description	Metal Kit Part #	Qty.	Canvas Kit Part #	Qty.
1	CHAIN CONTAINER BRACKET	SEE TABLE FOR PART NUMBER BASED ON LIFT	1	SEE TABLE FOR PART NUMBER BASED ON LIFT	1
2	WASHER		2		2
3	SOCHET HEAD CAP SCREW		2		2
4	QUICK LINK		2		2
5	CHAIN CONTAINER		1		1
6	CHAIN CONTAINER RAMP		1		-
7	RAMP NUT		2		-
8	RAMP HEX BOLT		2		-

# LUBRICANTS

Part Number for Packaged Lubricants Used in the Lodestar Electric Chain Hoists (Refer to page 21 for Lubrication Instructions)		
Lubricant Usage	Type of Lubricant	Part Numbers and Packaged Quantity of Lubricants
Hoist Gears	Grease (Special)	Models A to H uses 28605
		Model J to RRT excluding RRS uses 28617
		Model RRS uses 1 each of both 28605 and 28617
Load Chain	Oil	28608 for 1 Pint Can 28619 for 1 Gal Can
Limit Switch Shaft Threads	*Oil	"3 in 1" or Light Machine Oil-obtain locally
Lower Hook Thrust Bearing	*Oil	Heavy Machine Oil obtain locally

\*These oils are not furnished by CM in Packaged Quantities. When ordering lubricants, specify the type of lubricant, part number and packages quantity required.

Touch-up Paints for Lodestar Electric Chain Hoists:

Hoist Order \*(1) case (12-12 oz. Aerosol Cans) of Black Touch-up paints Part Number 84189.

Hoist Order \*(1) case (12-12 oz. Aerosol Cans) of Orange Touch-Up paint Part Number 84190.

\*Touch-up paints are only available in case quantities.

**NOTE:** When painting hoists, also order warning labels, identification labels, etc. that may be coated during painting.

## RECOMMENDED SPARE PARTS

To insure continued service of the Lodestar Hoist, the following is a list of parts that are recommended to be kept on hand at all times to replace parts that have worn or failed.

Part Description	Models A-H	Models J-RRT	Model RRS	Qty Required for Each Hoist
Limit Switch Kit	31631	31636 (excludes RRS)	31636	1
Solid State Reverse Switch (Single Phase Units Only)	27257	35499	n/a	1
Start Capacitor (Single Phase Units Only)	27716	35279	n/a	1
Run Capacitor (Single Phase Units Only)	-	35278	n/a	
Transformer	SEE CONTACTOR PLATE SECTION	SEE CONTACTOR PLATE SECTION	SEE CONTACTOR PLATE SECTION	0 or 1
Control Station Hardware Kit w/ Gasket	SEE CONTROLS SECTION	SEE CONTROLS SECTION	SEE CONTROLS SECTION	1
Control Station Button Insert Kit	SEE CONTROLS SECTION	SEE CONTROLS SECTION	SEE CONTROLS SECTION	1
Contactors	SEE CONTACTOR PLATE SECTION	SEE CONTACTOR PLATE SECTION	SEE CONTACTOR PLATE SECTION	1
Fuse - 500mA	00000393	00000393	00000393	
Speed Selector Relay (2-Speed Units Only)	SEE CONTACTOR PLATE SECTION	SEE CONTACTOR PLATE SECTION	SEE CONTACTOR PLATE SECTION	1
CM Terminal Pin-Extraction Tool (Dual Voltage Only)	27163	27163	27163	1
Suspension Bolts	987554	36846	10001047/82638	2(1 EA RRS)