

# OPERATION, SERVICE & PARTS MANUAL

## **CM<sup>®</sup> AIRSTAR<sup>™</sup> 6** **AIR HOISTS**



12517

Rated Loads:  
1 thru 3 tons/  
900 thru 2700 kg.

Follow all instructions and warnings for inspecting, maintaining and operating this hoist. The use of any hoist presents some risk of personal injury or property damage. That risk is greatly increased if proper instructions and warnings are not followed. Before using this hoist, each operator should become thoroughly familiar with all warnings, instructions and recommendations in this manual.

**Retain this manual for future reference and use.**

Forward this manual to the operator. Failure to operate this equipment as directed in this manual may cause injury.

Before installing hoist, fill in the information below. Refer to the Hoist and Motor data plates.

Model No. \_\_\_\_\_

Serial No. \_\_\_\_\_

Purchase Date \_\_\_\_\_

Air Pressure \_\_\_\_\_

Rated Load \_\_\_\_\_



COLUMBUS McKINNON CORPORATION  
INDUSTRIAL PRODUCTS DIVISION  
140 JOHN JAMES AUDUBON PARKWAY  
AMHERST, NEW YORK 14228-1197 U.S.A.

**AIRSTAR**

PRINTED IN U.S.A.

## FOREWORD

This book contains important information to help you install, operate and maintain your new **CM AIRSTAR 6** Air Hoist. We recommend that you study its contents thoroughly before putting your hoist to use. Through proper installation, application of correct operating procedures, and by practicing the recommended maintenance suggestions you will be assured maximum service from your hoist.

Complete inspection, maintenance and overhaul service is available for **CM AIRSTAR 6** Air Hoists at recognized **CM** Repair Stations. Refer to your telephone directory yellow pages under "HOISTS." They are staffed by quali-

fied factory-trained service men and stock approved **CM** replacement parts.

Replacement parts information is also included in this book for your convenience. Since it will likely be a long time before parts information is needed, we suggest that, after you have become familiar with operation and preventive maintenance procedures, this book be carefully filed for future reference.

**EQUIPMENT ILLUSTRATED AND DESCRIBED HEREIN IS NOT DESIGNED OR SUITABLE FOR LIFTING OR LOWERING PERSONS.**

## INDEX

	PAGE
<b>SECTION I GENERAL DESCRIPTION</b>	
Paragraph 1-1 General .....	3
Paragraph 1-2 Basic Construction .....	3
Paragraph 1-3 Differences Between Models and Sizes .....	3
Paragraph 1-4 Overload Clutch .....	3
<b>SECTION II INSTALLATION</b>	
Paragraph 2-1 General .....	3
Paragraph 2-2 Suspending Hoist .....	3
Paragraph 2-3 Pre-Installation Checks .....	4
Paragraph 2-4 Connecting Hoist to Air Service .....	4
<b>SECTION III OPERATION</b>	
Paragraph 3-1 General .....	5
Paragraph 3-2 Pre-Operational Checks .....	5
Paragraph 3-3 Operating Hoist .....	5
Paragraph 3-4 Upper and Lower Limit Stops .....	6
Paragraph 3-5 Overload Clutch Operation .....	6
Paragraph 3-6 Pulling and Pivoting Hoist and Load .....	6
Paragraph 3-7 Operating Precautions .....	6
<b>SECTION IV LUBRICATION</b>	
Paragraph 4-1 General .....	7
Paragraph 4-2 Service Air Line Lubricator .....	7
Paragraph 4-3 Lubricate Load Chain .....	7
Paragraph 4-4 Change Gearcase Oil .....	7
Paragraph 4-5 Lubricate Upper Hook and Lower Block Assembly .....	7
<b>SECTION V MAINTENANCE</b>	
Paragraph 5-1 General .....	7
Paragraph 5-2 Thirty-Day Inspection .....	7
Paragraph 5-3 Six-Month Inspection .....	10
Paragraph 5-4 Annual Inspection .....	10
Paragraph 5-5 Inspection — 5000 Hour or Five Year .....	11
<b>SECTION VI TROUBLESHOOTING</b> .....	12
<b>SECTION VII DISASSEMBLY AND REASSEMBLY</b>	
Paragraph 7-1 General .....	12
Paragraph 7-2 Disassembly of Hoist into Subassemblies .....	13
Paragraph 7-3 Rebuild of Hoist Frame, Sprocket Gear, Sprocket Shaft and Chain Guide .....	15
Paragraph 7-4 Rebuild of Load Brake and Overload Clutch Assembly .....	18
Paragraph 7-5 Rebuild of Lower Block and Load Chain Assembly .....	19
Paragraph 7-6 Rebuild of Pendant Throttle Control Assembly .....	21
Paragraph 7-7 Rebuild of Supply Head Assembly .....	21
Paragraph 7-8 Rebuild of Air Motor .....	22
Paragraph 7-9 Reassembly of Hoist From Subassemblies .....	22
Paragraph 7-10 Testing Hoist .....	23
Paragraph 7-11 Test Procedure For Checking Operation of Overload Clutch .....	23
<b>SECTION VIII REPLACEMENT PARTS</b> .....	24

NOTICE: Information contained in this book is subject to change without notice.

## SECTION I — GENERAL DESCRIPTION

**1-1. GENERAL.** These **CM AIRSTAR 6** Air Hoists are precision built chain type hoists which are built in three capacity sizes: 1, 2, and 3 ton. All models use coil type load chain and have pendant throttle controls. There are model variations with hook or lug type suspensions. Hoists are also provided in spark resistant models and corrosion resistant models. (Note: Spark resistant models have capacity ratings lower than standard models.)

**1-2. BASIC CONSTRUCTION.** All sizes and models of these **CM AIRSTAR 6** Air Hoists are of the same basic design, having many common and interchangeable parts. They consist primarily of an aluminum alloy frame and gearcase cover which houses an automatic load brake and gear train. An air motor is mounted on the rear of the frame. An upper hook or lug bracket for suspending the hoist is attached to the top of the frame. An alloy steel coil load chain with lower block assembly is employed to raise and lower loads. Upper and lower limits of hook travel are limited by chain mounted limit actuators. Hoist operation is controlled by a pendant throttle control assembly.

**1-3. DIFFERENCES BETWEEN MODELS AND SIZES.** The main differences between hoist models are in the reeving of the load chain and the suspension employed. These are described in Paragraphs a and b, below.

- a. On standard 1 ton capacity hoists, the load chain is single reeved (one part of chain); on standard 2 ton capacities, the chain is double reeved (two parts of chain); on standard 3 ton capacities, the chain is triple reeved (three parts of chain). Coil type chain is full-flexing, electric welded, link chain; carburized steel on standard and corrosion resistant models and stainless steel on spark resistant models. Both types are especially designed for use in hoisting and have special calibrated pitch. (Note: On corrosion resistant models, the load chain is zinc plated.)
- b. Suspension differences include a conventional hook type mounting and a lug type mounting. Hook suspension allows portability permitting hoist to be easily moved from job to job. Lug suspension permits hoist to be rigidly mounted to overhead structure or attached to **CM Rigid Mount Trolleys**, affording unusual headroom advantage.

**1-4. OVERLOAD CLUTCH.** **CM AIRSTAR 6** Air Hoists are equipped with an overload clutch that is designed to help guard against excessive overloads. The clutch is built into the load brake gear. It is a cone-friction clutch that connects the first reduction gear (load brake gear) to the load brake output pinion shaft. A Belleville disc spring provides clutch pressure between the gear and its cone shaped gear center. An excessive overload causes the load brake gear to rotate without turning the gear center and output pinion shaft. The clutch is located between the load brake and the motor, thus allowing load brake to function in its normal manner. See Paragraph 3-5 for operation.

## SECTION II – INSTALLATION

**2-1. GENERAL.** **CM AIRSTAR 6** Air Hoists are completely lubricated and load tested before being shipped from the factory. The hoist is shipped with pendant handle and hose assembly packed loose in the shipping carton. See Paragraph 2-2.e for attachment. To place hoist in service, attach to a suitable overhead suspension (Paragraph 2-2) in area to be used; perform pre-installation check (Paragraph 2-3); and connect hoist to air service (Paragraph 2-4).

### 2-2. SUSPENDING HOIST.

- a. On hook suspended hoists, select a suitable overhead support in area hoist is to be used (one capable of holding combined weight of hoist and its capacity load) and hang hoist up. **Be certain that upper hook is firmly seated in center of hook saddle and that the spring safety latch is properly closed over hook opening.** In some cases, it may be necessary to first remove spring latch before hook will fit over a support. Reinstall latch after hook is engaged.
- b. On lug suspended hoists, select a suitable overhead support in area hoist is to be used (one capable of holding combined weight of hoist and its capacity load), Mount hoist using through bolts of appropriate size to fit mounting holes in suspension lug at top of hoists. (See table below.) Use only suspension bolts provided by **CM**.



The structure used to suspend hoist must be of sufficient strength to withstand reasonable forces to which hoist and support may be subjected. Hoist must be aligned with load to avoid side pulls.

### SUSPENSION LUG BOLT SIZES AND SPACING

HOIST CAPACITY TONS		BOLT DIAMETER INCHES	DISTANCE BETWEEN HOLES INCHES
STD.	S.R.*		
1	1/2	5/8	3-1/8
2	1	1	5
3	2	1-1/4	6

\*S.R. = Spark Resistant Models

- c. On lug suspended hoists, the suspension lug may be installed for cross mounting or parallel mounting of the hoist. To rotate hoist 90° follow the instructions below:
  - (1) On single reeved hoists remove suspension lug per instructions in SECTION VII, Paragraph

7-3.c.(1) and Figure 7-17. Lift lug from hoist frame, rotate to desired position and replace on locating pins. Insert suspension bolt and nut. Turn nut on top of lug while holding nut inside of hoist frame with drift until grooved pin holes are aligned.

## **! WARNING**

**Be certain to replace grooved pin thru nut and suspension bolt. Grooved pin must be tight.**

- (2) On double reeved hoists, remove hex socket head screw in lower lock plate. Remove lower lock plate. Rotate suspension lug to selected position and replace lock plate and hex socket head screw.
- (3) On triple reeved hoists, the hanger bracket must first be removed from the hoist to provide access to suspension nut per SECTION VII, Paragraph 7-2.a.(4) and Figures 7-1 and 7-2.

To remove lug bolt, follow instructions in SECTION VII, Paragraph 7-3.b.(3). With bolt removed lift lug from hanger and reposition as desired. The lug is located and prevented from turning by integral lugs on adjacent surfaces of the lug and the hanger. Re-install lug bolt, spherical washers and nut. Align hole in nut and lug bolt. Reassemble hanger bracket to hoist.

## **! WARNING**

**Be certain to replace grooved pin thru nut and lug bolt. Grooved pin must be tight.**

- d. On rigid mount trolley suspended hoists, the trolley side plates must be properly spaced so trolley will fit I-beam on which hoist will operate. Adjustment for various I-beam sizes is accomplished by rearrangement of spacer washers on thru bolts which connect trolley side plates to suspension lug on hoist. Refer to instruction sheet furnished with **CM** Rigid Mount Trolleys for complete instructions.

## **! WARNING**

**If trolley is mounted on an open-end beam, end stops must be installed to prevent trolley from running off the end of the beam resulting in injury to operator and others and damages to load and other property.**

- e. To connect pendant throttle control, refer to Figure 8-9. The hose with a straight connection at the top (Ref. No. 10) attaches to the left connection of the

supply head as shown. The hose with the long elbow at the top connects to the upper right connection and the hose with the short elbow at the top connects to the lower right connection of the supply head. Assemble the parts at the upper end of the strain relief cable as shown. Make the cable tight enough to support the weight of the handle and hoses before tightening the wire rope clips.

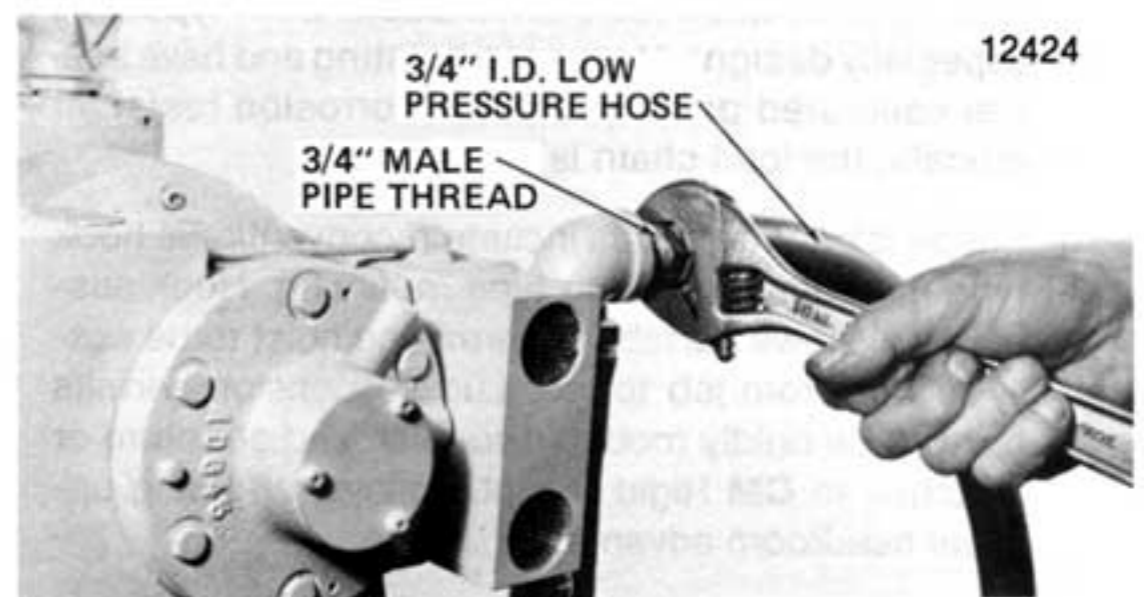
- f. If chain container is to be used on hoist, install it following instructions furnished with container.

**2-3. PRE-INSTALLATION CHECK. Check Oil Level.** (Figure 4-1) The gearcase has been filled with oil, to the proper level at the factory. However, the oil level should be checked before hoist is operated.

Remove and discard felt shipping plug from oil filler on side of hoist frame. Check oil level by removing oil level plug (side of frame). Observe if oil level is even with bottom of tapped hole. If it is not, add oil, as specified in Paragraph 4-4.c. Also check load chain. Be sure it is properly lubricated. See Paragraph 4-3.

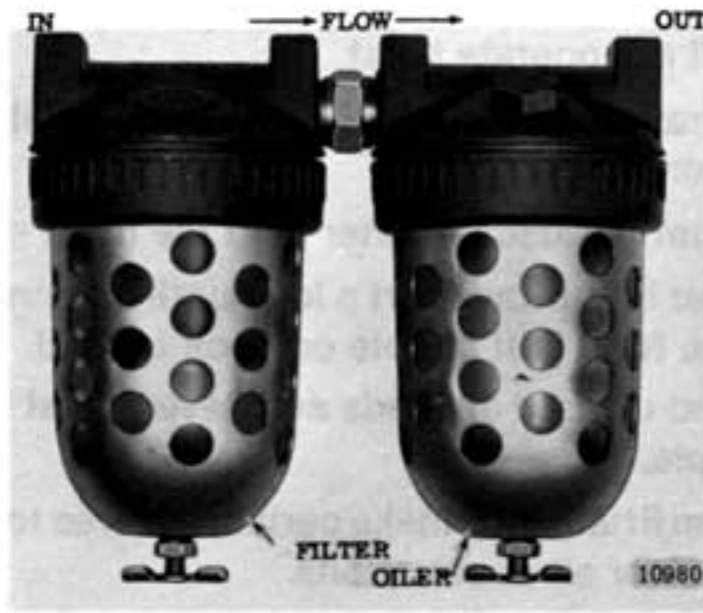
### **2-4. CONNECTING HOIST TO AIR SERVICE.**

- a. Connect hoist to nearest filtered and lubricated air source using 3/4" I.D. air hose (see Figure 2-1). Avoid use of hose assemblies of smaller diameters that will cause air flow restrictions and reduce hoist performance.
- b. If hoist is suspended by trolley, provide sufficient hose to reach from air source to farthest point of trolley travel. **CM** Hose Trolleys are recommended to keep hose up out of the way.



**Figure 2-1. Connecting Air Hose to Hoist.**

- c. A filter and lubricator unit (Figure 2-2) must be installed between air source and air hose leading to hoist. These keep air flowing to hoist free of dirt and add lubricant to air so internal parts of motor are constantly lubricated. Use a good grade of spindle oil, approximate viscosity 180 ssu at 100° F., air powered tool oil, or S.A.E. 10W machine oil. **CM** distributors can provide filter-lubricator units.



**Figure 2-2. Air Filter and Lubricator Unit.**

d. The recommended operating air pressure for all capacities of **CM AIRSTAR 6** Air Hoists is 90 psi. When line pressure exceeds 100 psi (at hoist when hoist is operating), it is recommended that a pressure regulator valve be provided in the air supply line to maintain proper pressure. Although there is a wide range of pressures within which the hoists will operate, motor efficiency may decrease more rapidly than the drop in air pressure on a percentage basis. Refer to "Performance Charts." See Figure 2-3.

**1 TON CAPACITY HOIST**

LOAD Air Pressure PSIG	500 lb.		1000 lb.		1500 lb.		2000 lb.		
	UP	DOWN (Max.)	UP	DOWN (Max.)	UP	DOWN (Max.)	UP	DOWN	
								Min.	Max.
60	40	36	33	36	28	36	20	25	36
70	43	39	36	39	31	39	24	28	39
80	47	42	39	42	34	42	28	32	42
90	50	47	42	47	38	47	30	36	47

**2 TON CAPACITY HOIST**

LOAD Air Pressure PSIG	1000 lb.		2000 lb.		3000 lb.		4000 lb.		
	UP	DOWN (Max.)	UP	DOWN (Max.)	UP	DOWN (Max.)	UP	DOWN	
								Min.	Max.
60	19	17	16	17	14	17	10	12	17
70	21	19	17	19	15	19	12	14	19
80	22	20	19	20	16	20	14	16	20
90	24	22	20	22	18	22	15	18	22

**3 TON CAPACITY HOIST**

LOAD Air Pressure PSIG	1500 lb.		3000 lb.		4500 lb.		6000 lb.		
	UP	DOWN (Max.)	UP	DOWN (Max.)	UP	DOWN (Max.)	UP	DOWN	
								Min.	Max.
60	13	11	11	11	9	11	6	8	11
70	14	12	12	12	10	12	8	9	12
80	15	13	13	13	11	13	9	10	13
90	16	14	14	14	12	14	10	11	14

NOTE: Hoist Speeds are shown in feet per minute (f.p.m.)

**Figure 2-3. Hoist Performance Charts.**

**SECTION III — OPERATION**

**3-1. GENERAL.** Operation of **CM AIRSTAR 6** Air Hoists is controlled by a pendant throttle control. The Pendant Throttle Control has convenient lever type control valve handle (Figure 3-1) suspended from the control manifold.

**3-2. PRE-OPERATIONAL CHECKS.** Check the following before operating hoist with load:

- Check limit actuator(s) on load chain. On all capacities a square shaped actuator should be firmly bolted to the 9th link from the tail chain anchor end of the load chain. On single line hoists an actuator should be firmly bolted to the first link above the lower block. On three line models the actuator is to be firmly bolted three links above the lower block on the chain that dead ends in the lower block. Two line models have no limit actuator on the chain above the lower block.
- When hoist is to be used without a chain container, check that tail chain anchor screw is secure. When hoist is to be used with a chain container, tail chain may be left unattached **PROVIDED LIMIT ACTUATOR IS IN PLACE IN ACCORDANCE WITH ABOVE.**
- Check to see that limit stop is in proper position.
- Check hooks. They should not be bent or distorted and should not be opened beyond the correct opening sizes given in Figures 5-5 and 5-6. Hook latches should not be bent or damaged and springs not broken.
- Check chain to make sure it is not twisted or kinked. Be sure lower block on double reeved models has not been capsized. Be sure load chain is lubricated. See Paragraph 4-3.



**Never operate hoist with defective or missing limit actuators, defective hooks or load chain. See Paragraph 5-2 for aid in checking load chain condition.**

**3-3. OPERATING HOIST.** With hoist installed and air pressure turned on, hoist is operated in the following manner:



**Figure 3-1. Pendant Throttle Control Handle.**

- Depress throttle valve lever marked ↑ to raise load. See Figure 3-1.
- Depress throttle valve lever marked ↓ to lower load.
- Release lever being depressed to stop either lifting or lowering.
- Speed of lifting and lowering is varied by the position of the throttle valve lever being depressed.
- Speed of lowering can be reduced from the maximum by adjusting a screw in the upper fitting of the down valve supply hose.

**3-4. UPPER AND LOWER LIMIT STOPS.** Upper and lower limit actuators are provided to guard against overtravel of load in either raising or lowering direction, which can cause damage to hoist. When highest position is reached, the lower block or lower block limit actuator will cause the overload clutch to slip. When the lowest block position is reached, the tail chain actuator will cause the overload clutch to slip. Limit stops are intended as safety devices and should not be used on a routine basis to stop block travel. **Lowering full rated capacity load at full rated speed into the limit stop is an especially severe condition and must not be knowingly done at any time.**

**3-5. OVERLOAD CLUTCH OPERATION.** The overload clutch is factory preset at assembly so that the hoist will lift its full rated load but will refuse to lift overloads within a range of 110 percent rated load to 180 percent rated load. If the load to be lifted exceeds the clutch factory setting, the motor will continue to run and will rotate the load brake gear without lifting the load. Whenever this occurs, immediately release the "UP" control to prevent overheating of the clutch friction surfaces and motor.

#### NOTICE

**Always know load to be lifted. Loads greater than rated capacity are not to be lifted.**

**3-6. LOAD CHAIN.** Make sure the load chain is lubricated according to the requirements of Paragraph 4-3 before operation. For hoists with stainless steel load chain carefully inspect for unusual chain wear daily during the first week of operation then return to the regular maintenance schedule of Section V.

#### 3-7. PULLING AND PIVOTING HOIST AND LOAD.

- a. The Pendant Throttle Control handle is supported by a strain cable that is suitable for pulling trolley suspended hoists when **empty or lightly loaded**. Use a tag line or pole to pull or push loads to traverse heavily loaded hoists. Observe caution to stay clear of loads.
- b. To pivot load, push on one corner of load. Lower hook will swivel through 360° to permit load to be swung to the desired position. The upper hook (hook suspension models) is also designed to rotate so that hoist will swing to face the load.

#### 3-8. OPERATING PRECAUTIONS.



**Equipment covered herein is not designed or suitable as a power source for lifting or lowering persons.**

Safe operation of an overhead hoist is the operator's responsibility. Listed below are some basic rules that can make an operator aware of dangerous practices to avoid and precautions to take for his own safety and the safety of others. Observance of these rules in addition to frequent examinations and periodic inspection of the equipment may save injury to personnel and damage to equipment.

- a. Personnel not physically fit or properly qualified, shall not operate hoist.
- b. Operate hoist cautiously to become familiar with its performance.
- c. Do not lift loads greater than the hoist rated load.
- d. Never lift or transport a load until all personnel are clear. Never lift people on hook or load.
- e. Stand clear of all loads and never travel loads over people.
- f. When lifting load make certain it is free to move and will clear all obstructions.
- g. Do not divert attention from load while operating hoist. Never leave a suspended load unattended.
- h. Do not operate hoist unless upper and lower limit actuators are operating properly.
- j. Do not use limit stop as normal operating stop. This is a safety device only.
- k. Take up chain slack carefully to avoid jerking load, possibly overloading hoist.
- l. Never use hoist chain as a lifting sling around a load or as an electrical ground for welding.
- m. Always be sure there is no twist in coil load chain. On 2 & 3 line coil chain hoists, check to see that lower block is not capsized between strands of chain.
- n. Avoid operating hoist when hook is not centered under hoist. Be sure that hoist trolley or other support mechanism is correctly positioned for handling the load before lifting.
- o. Do not operate hoist with twisted, kinked, badly worn or damaged chain.
- p. Do not operate damaged or malfunctioning hoist.
- q. Do not "jog" unnecessarily.
- r. Conduct regular visual inspections for signs of damage or wear.
- s. Observe recommended inspection and maintenance procedures.
- t. Never operate hoist with hooks that have opened up. See Figures 5-5 and 5-6.
- u. Do not remove or obscure warning labels.
- v. The supporting structure or anchoring means shall have a load rating at least equal to that of the hoist.
- w. Hoists shall not be used in locations that will not allow operator movement to be free of the load.
- x. The operator shall insure that he has firm footing or is otherwise secured before operating the hoist.
- y. The load slings or other approved devices shall be seated properly in the saddle of the hook and the hook latch shall be closed before operating hoist.
- z. Before lifting a load the operator shall be certain that load is not caught on any obstructions.
- aa. When starting to lift or pull, the load should be moved a few inches at which time the hoist should be checked for proper load holding action. The operation shall be continued only after the operator is assured that the hoist is operating properly.
- ab. The operator should not leave a loaded hoist unattended at the end of a work shift or for extended pe-

riods during the work shift. Where operations are such that this condition cannot be avoided the operator must be assured that the condition does not create a hazard to personnel or property.

- ac. Use common sense and best judgment whenever operating a hoist. Observe American National Standard Safety standard, ANSI B30.16, latest issue.

#### SECTION IV — LUBRICATION

**4-1. GENERAL.** The lubrication services outlined in Paragraphs 4-2 thru 4-5 should be performed at regular intervals to maintain top hoist performance and insure long life. The frequency for lubrication services will depend on the type of hoisting service that hoist is subjected to and should coincide with periodic preventive maintenance inspection. See SECTION V — Maintenance.

**4-2. SERVICE AIR LINE LUBRICATOR.** Servicing air line filter and lubricator unit is of primary importance since it's the only source of lubrication for control valves and air motor. Fill lubricator with a good grade of light spindle oil or air powered tool oil, and follow the manufacturer's recommended service procedure.

**4-3. LUBRICATE LOAD CHAIN.** A small amount of lubricant will greatly increase load chain life, therefore, chain should not be allowed to run without lubricant. Chain should be cleaned and lubricated as directed in Paragraph a, below. User should set up a regular schedule for chain lubrication after observing operating conditions for a few days.

- a. Under ordinary conditions only weekly attention will be necessary. Under hot and dirty conditions it may be necessary to clean chain at least once a day and lubricate it several times between cleanings. Thoroughly clean chain with an oil solvent and relubricate by coating it lightly with graphite suspension oil. Make sure that lubricant coats wear surfaces between links.
- b. **CM AIRSTAR 6** spark resistant air hoist models use stainless steel load chain that must be well lubricated at all times and must be inspected daily when in use. See Paragraph 5-2.a.(2).

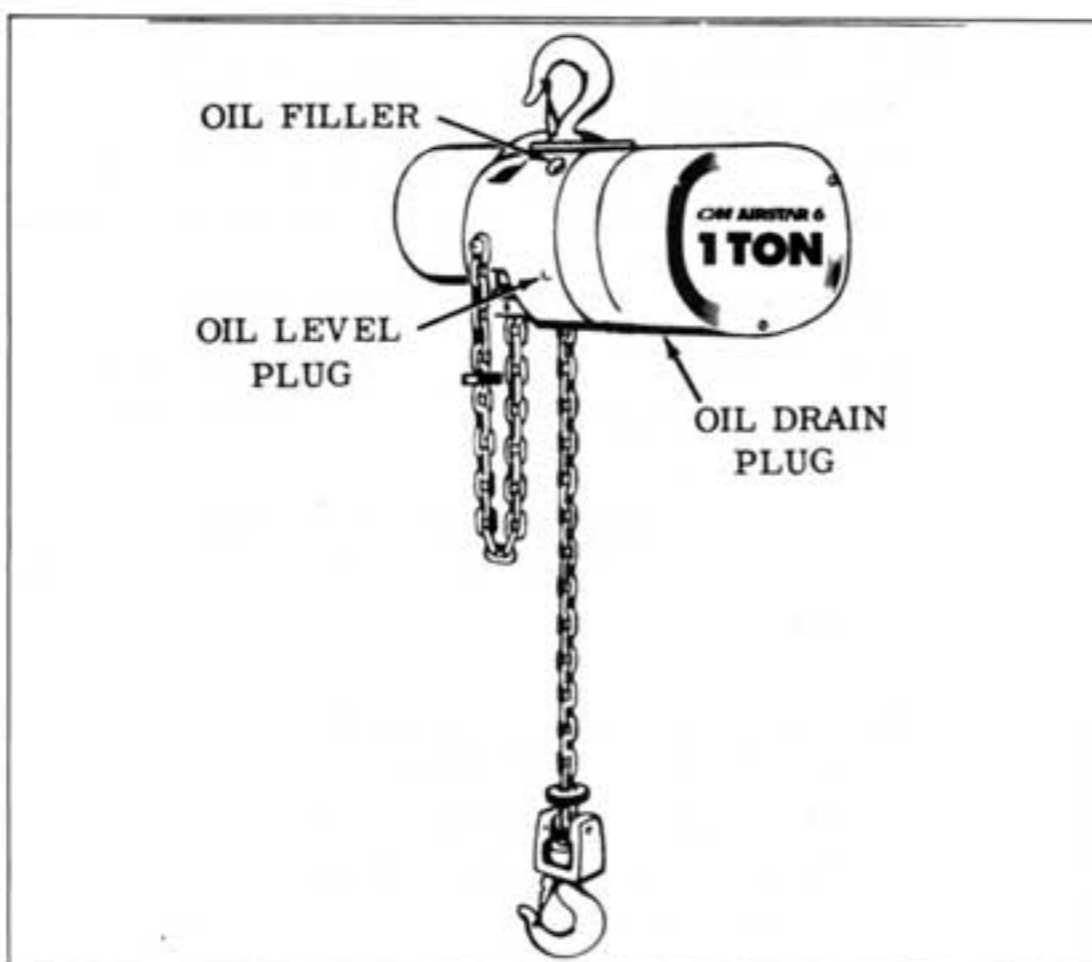


Figure 4-1. Location of Oil Filler and Plugs.

#### 4-4. CHANGE GEARCASE OIL (Figure 4-1).

- a. Remove drain plug from bottom of hoist frame and drain oil from gearcase. Replace plug.
- b. Remove oil level plug from side of hoist.
- c. Refill gearcase thru oil filler to proper level (bottom of oil level plug hole) using Automatic Transmission Fluid — DEXRON® Type. This is an all-weather oil available from all major oil companies. 1-1/2 pints of oil are required.  
\* Registered trademark of G.M.C.
- d. Reinstall oil level plug.

#### 4-5. LUBRICATE UPPER HOOK AND LOWER BLOCK ASSEMBLY.

- a. Apply a few drops of graphite suspension oil on shank of upper hook where it enters frame.
- b. Apply a few drops of graphite suspension oil on shank of lower hook where it enters lower block. Hook rotation bearing may be removed for cleaning and relubricating if necessary. See Paragraph 7-5.
- c. On lower block assemblies with 2 or 3 lines of load chain also apply a good grade of bearing grease thru pressure fitting in end of sprocket pin to lubricate bearing in chain sprocket.
- d. On models with 3 lines of load chain lubricate sprocket in hanger bracket with a few drops of graphite suspension oil in hole provided in center of sprocket hub.



**Before performing any internal work on hoist, be certain air is shut off.**

#### SECTION V — MAINTENANCE

**5-1. GENERAL.** Preventive maintenance services required on **CM AIRSTAR 6** Air Hoists are for the most part, simple periodic inspection procedures to determine condition of hoist components. Below are suggested inspection procedures, based on daily average hoist usage.

**5-2. THIRTY-DAY INSPECTION.** Hoist may be left suspended.

- a. Inspect Load Chain.
  - (1) Operate hoist under load and observe operation of chain over sprocket in both directions of chain travel. Chain should feed smoothly into and away from the sprocket. If chain binds, jumps or is noisy, first see that it is clean and properly lubricated. If trouble persists, inspect chain as outlined below.
  - (2) Clean chain for inspection. Examine visually for gouges, nicks, weld splatter, corrosion or distorted links. Slacken chain and check bearing surfaces between links for wear, Figure

5-1. Greatest wear will often occur at sprocket at high or low point of lift, particularly when hoist is subjected to repetitive lifting cycles. Case hardness of chain is about .015" deep. Chain must be replaced before the case is worn thru. Also check chain for elongation using a vernier caliper (Figure 5-2). Select an unworn, unstretched section of chain (usually at slack or tail end) and measure and record the length over the number of chain links (pitches) indicated in Figure 5-2. Measure and record the same length of a worn section in the load side of the chain. Obtain the amount of wear by subtracting the measurement of the unworn section from the measurement of the worn section. If the result (amount of wear) is greater than the amount specified in the "ALLOWABLE CHAIN WEAR" table, the chain has elongated beyond the maximum allowable length and must be replaced. Chain with excessively pitted, corroded, nicked, gouged, twisted or worn links should be replaced using only factory approved chain. **Never weld or attempt to repair coil chain.**

Load chain for spark resistant models is made of stainless steel. Surface hardness treatment is no more than .001" deep and the core is lower in hardness than standard alloy steel load chain. For these reasons the rated capacity of spark resistant models is lower than that of standard models as follows:

LINES OF LOAD CHAIN	RATED CAPACITY FOR STANDARD MODEL	RATED CAPACITY FOR SPARK RESISTANT MODEL
1	1 Ton	½ Ton
2	2 Ton	1 Ton
3	3 Ton	2 Ton

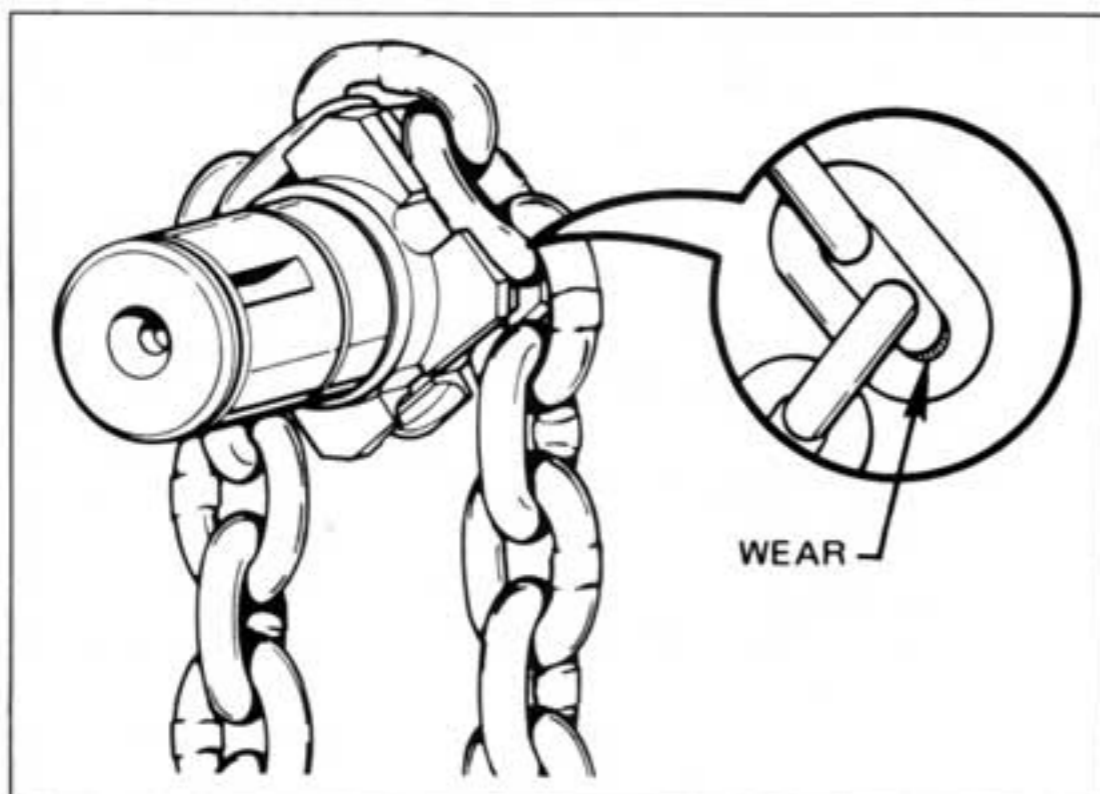


Figure 5-1. Check Chain Wear at Bearing Surfaces Between Links.

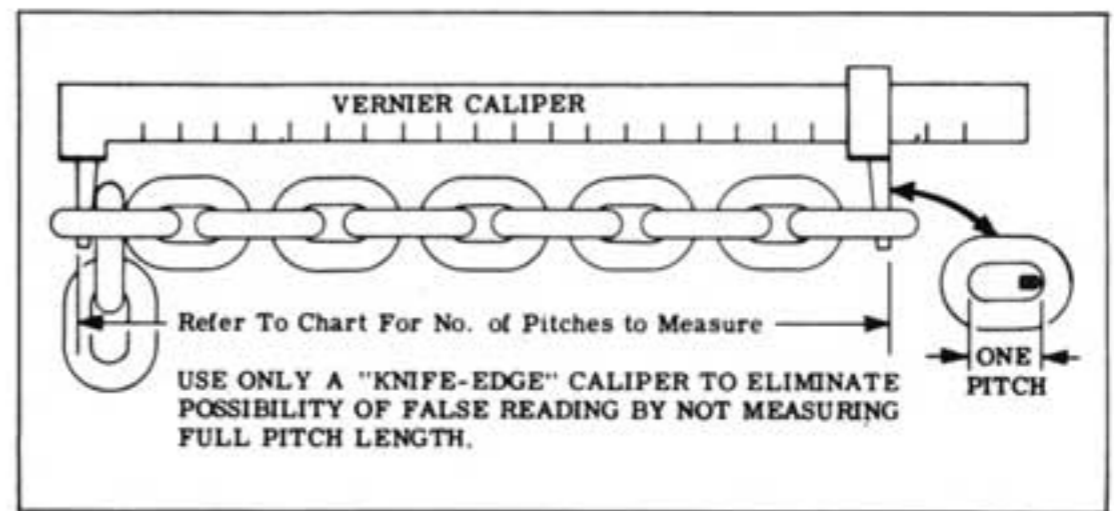


Figure 5-2. Checking Coil Chain Using Vernier Caliper

#### ALLOWABLE CHAIN WEAR — ELONGATION

CHAIN SIZE (WIRE DIA.)	NO. OF PITCHES TO MEASURE	MAXIMUM WEAR LIMIT
5/16"	11	.142"

### CAUTION

Do not assume that load chain is safe because it measures below replacement points given herein. Other factors, such as those mentioned in visual checks above, may render chain unsafe or ready for replacement long before elongation replacement is necessary.

### WARNING

When replacing coil load chain, use only factory approved chain conforming to factory specifications for material, hardness, strength and link dimensions. Chain not conforming to CM hoist specifications may be dangerous as it will not fit in the load sprocket and chain guide correctly, causing damage to hoist, and it will wear prematurely, deform and eventually break.

#### (3) Removing and Replacing Coil Load Chain.

- (a) Replacement coil load chain is installed by attaching it to tail end of old chain, after disconnecting old chain from side of hoist frame and removing limit actuator. New chain is then run into hoist as old chain is run out. Use open "C" links, Figures 5-3 and 5-4, for attaching chains. Links must be identical in size to hoist chain — 5/16" wire size with .858" pitch length for all models. Be certain that all welds on links of replacement chain face away from center of load sprocket.
- (b) Remove lower block assembly and actuator from old chain and attach them to replacement chain at end which was just run thru hoist. Install limit actuator (as noted below) on other end of chain and anchor chain to side of hoist frame.



**CAUTION**

Two "C" links must be used on hoists with 1 line of load chain (Figure 5-4) in order to correctly position end link on tail end of chain to fit tail end anchor at side of hoist frame; only one "C" link is required on hoist with 2 or 3 lines of load chain.

NOTE: Install limit actuator on the 9th link from the end and secure with nuts.

On double reeved models, also connect opposite end of chain (from lower block) to load chain anchor inside of frame. On triple reeved models, the opposite end of the chain is attached to the lower block connecting link.

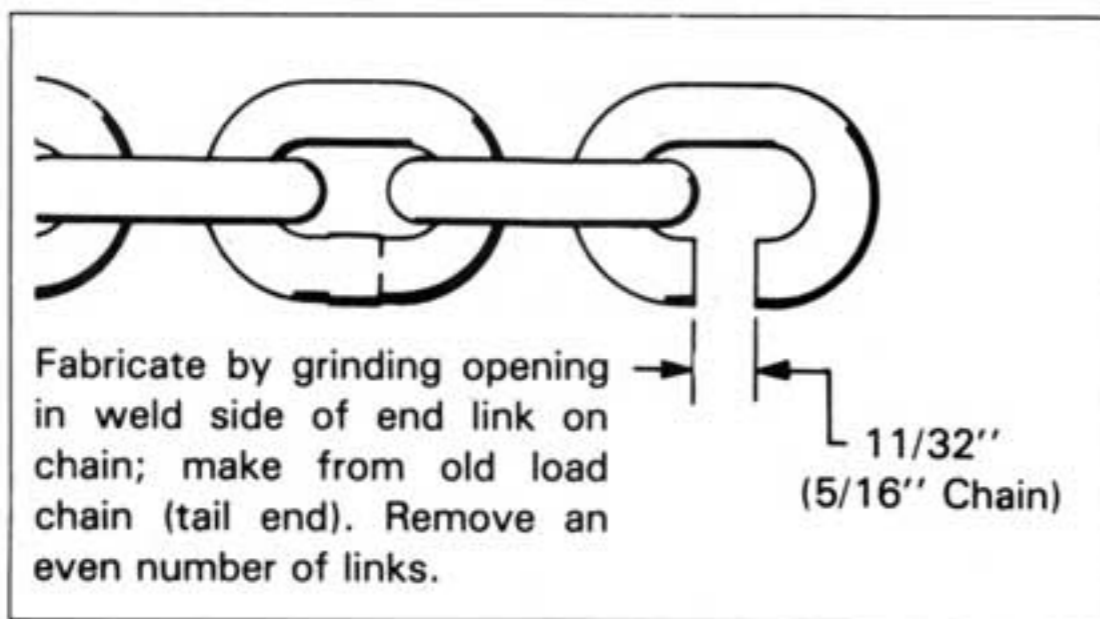


Figure 5-3. Open "C" Link for Removing and Installing Coil Load Chain.

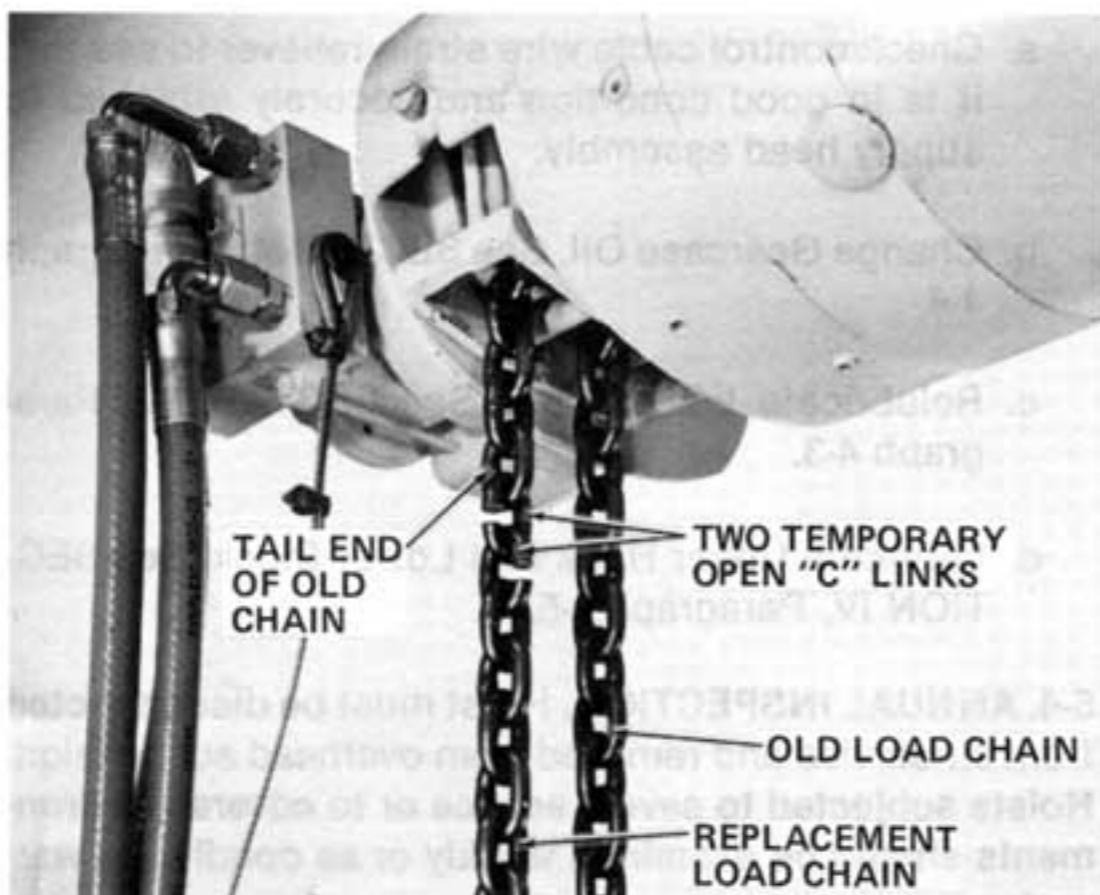


Figure 5-4. Installing Coil Load Chain Using Two "C" Links (single line of load chain).

NOTE: In the event the old chain is to be removed from hoist and reinstalled, a short length of chain (about 18" long) must be run into hoist when the old chain is removed. This short length can then be used in the same manner as shown in Paragraph 5-2.a.(3). Be sure to use the proper number of open "C" links in order to correctly position end link on

tail end of chain to fit anchor at side of hoist frame.

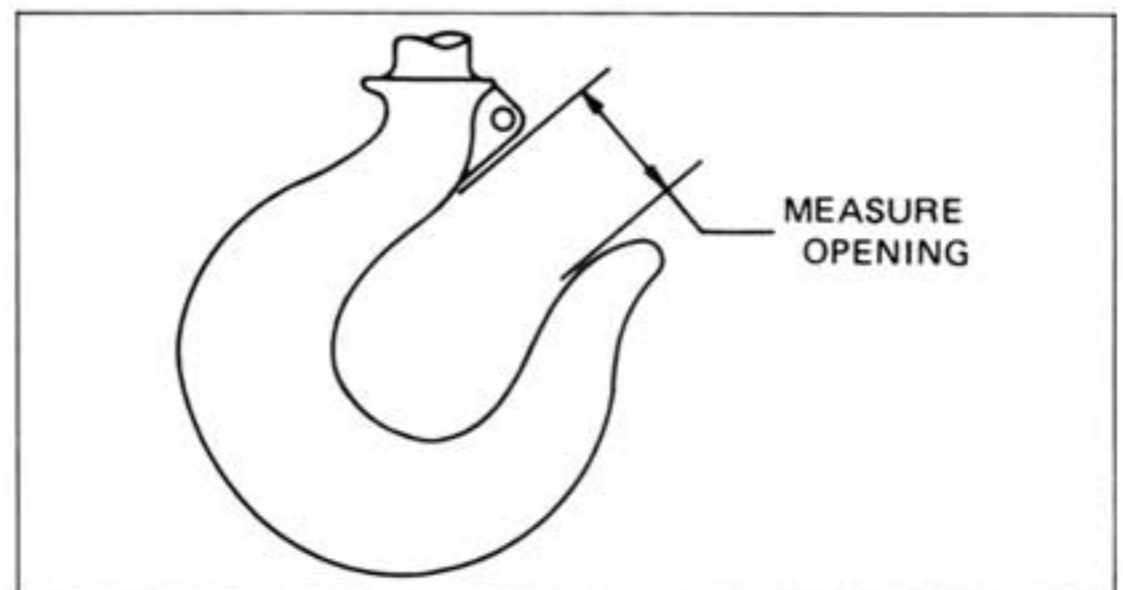
**WARNING**

When installing coil load chain do not attempt to hand feed chain into hoist, or use a piece of wire in place of the method described herein. To do so may result in serious internal damage to hoist, as coil chain links must be properly seated in chain sprocket before chain is run into hoist.

- (4) Check anchor end of chain at side of hoist frame for damage to last link. Replace damaged parts.
- (5) Check connection of chain to lower block on single reeved and triple reeved hoists. Replace parts showing evidence of damage, twisting or elongation.
- (6) Check connection of chain to anchor inside hoist frame on double-reeved hoists. Replace parts showing evidence of damage, twisting or elongation. (Also see SECTION VII, Paragraph 7-2.a.(2)).
- (7) Lubricate load chain before using hoist. See Paragraph 4-3, SECTION IV.

b. Inspect Lower Block.

- (1) Check for bent or distorted hook. If hook is opened beyond the dimension given in Figure 5-5, it must be replaced. Also check to see that hook swivels and is free to pivot. Lubricate these points if necessary.



HOIST CAPACITY (TONS)		HOOK THROAT OPENING	
		NORMAL OPENING	REPLACE HOOK IF OPENING IS GREATER THAN
STD.	S.R.		
1	1/2	1-1/4	1-7/16
2	1	1-3/8	1-9/16
3	2	1-1/2	1-11/16

Figure 5-5. Lower Hook Opening. (Shown with latch removed for clarity.)

- (2) On double and triple reeved hoists, check sprocket and bearing in lower block for freedom of movement and signs of damage. Lubricate if necessary. Replace damaged parts.
- (3) Check hook latches. Replace damaged or bent latches or broken springs.

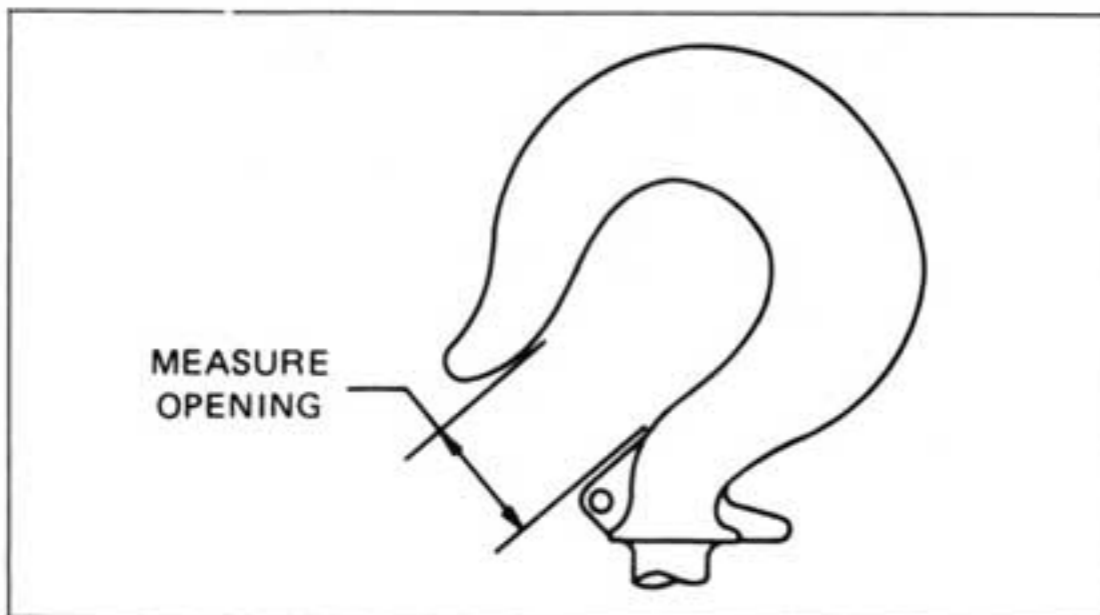
**! WARNING**

Hooks, upper or lower, damaged from chemicals, deformation or cracks or having more than 15 percent in excess of normal throat opening or more than 10 degrees twist from the plane of the unbent hook, or opened, allowing the hook latch to bypass hook tip must be replaced.

Any hook that is twisted or has excessive throat opening indicates abuse or overloading of the hoist. Other load bearing components of the hoist should be inspected for damage. (See SECTION V, Paragraph 5-2.d.(2) below).

c. Inspect Upper Suspension.

- (1) On hook suspended models, check for bent or distorted hook. If hook is opened beyond the dimension given in Figure 5-6, it must be replaced. Also check to see that hook pivots. Lubricate if necessary. Single reeved hoists have a stop pin installed in frame adjacent to hook to restrict hook rotation. Check to see that pin is not sheared off and stop lug on hook shank is not broken.



HOIST CAPACITY (TONS)		HOOK THROAT OPENING	
		NORMAL OPENING	REPLACE HOOK IF OPENING IS GREATER THAN
STD.	S.R.		
1	1/2	1-1/4	1-7/16
2	1	1-3/8	1-9/16
3	2	1-1/2	1-11/16

Figure 5-6. Upper Hook Opening. (Shown with latch removed for clarity.)

- (2) On lug suspended models, check condition of suspension lug. Replace lug if damaged or cracked. Check to see that lock plate is in place on lug and screw holding it is tight.
- (3) On double reeved hoists, check to see that upper lock plate securing hook or lug bushing is in place and screws holding it are tight. Lubricate hook shank.
- (4) Check hook latch. Replace damaged or broken parts.

d. Inspect Motor and Frame.

- (1) Check to see that bolts securing motor to frame are tight. Also check for any visible damage to motor, supply head or muffler, such as a cracked or dented housing. Replace damaged parts.
- (2) Check hoist frame for signs of visible damage. If frame shows evidence of fracture, the hoist should be disassembled and inspected for further signs of damage from possible overloading. Replace damaged parts. Also check condition of limit stop.

e. Check Oil Level. Remove oil level plug (Figure 4-1). If oil level is not even with bottom of tapped hole, add Automatic Transmission Fluid, DEXRON® Type, to bring proper level.

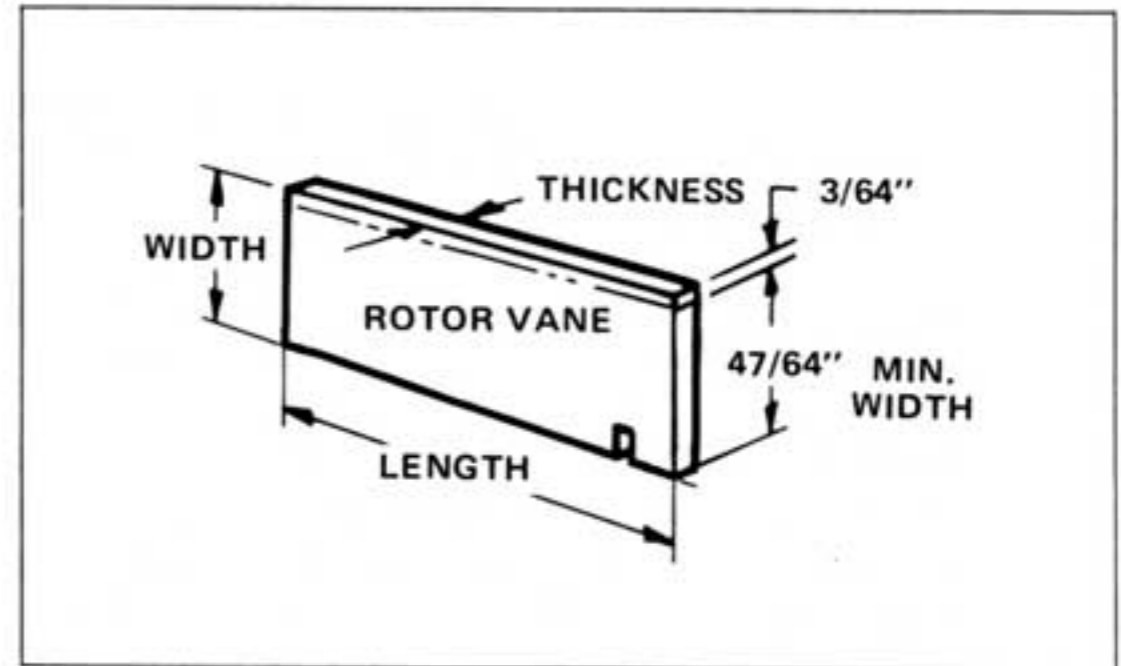
**5-3. SIX-MONTH INSPECTION OR 500-750 HOURS OF OPERATION.** Hoist may be left suspended.

- a. Check control cable wire strain reliever to see that it is in good condition and securely attached to supply head assembly.
- b. Change Gearcase Oil. See SECTION IV, Paragraph 4-4.
- c. Relubricate Load Chain. See SECTION IV, Paragraph 4-3.
- d. Lubricate Upper Hook and Lower Block. See SECTION IV, Paragraph 4-5.

**5-4. ANNUAL INSPECTION.** Hoist must be disconnected from air service and removed from overhead suspension. Hoists subjected to severe service or to adverse environments should be examined weekly or as conditions warrant.

- a. Hoist should be partially disassembled as necessary to inspect hoist parts noted in Paragraphs b through e below. Refer to SECTION VII for disassembly and reassembly steps as noted.
- b. Inspect Pendant Throttle Control Assembly. Remove springs and valves (Paragraphs 7-6.a.(3) thru 7-6.a.(5)). Check condition of springs and valves. Replace worn or damaged parts.

- c. Inspect Supply Head Assembly. Remove supply head assembly (Paragraph 7-7.a) and disassemble it as outlined. Check condition of valves. Replace worn or damaged parts.
- d. Inspect Air Motor. Remove air motor assembly (Paragraph 7-2.d) and disassemble it as outline (Paragraph 7-8). Check for worn or damaged rotor vanes. Inspect ball bearings and check condition of rotor, shaft, cylinder and end plates. Any repairs beyond replacing vanes, springs, and pins would best be done at a recognized **CM** repair station. Repair or replace defective parts as noted in following steps:



**Figure 5-7. Rotor Vane.**

- (1) Rotor. Examine end faces for roughness and vane slots for wear and burrs. A new vane should move in and out without binding. Smooth roughness on end faces and remove sharp edges or burrs at slot corners using a hone. Replace motor if rotor and shaft assembly is excessively worn or damaged.
- (2) Cylinder. Examine surface of bore diameter for rough circular grooves from scoring. If the cylinder is badly scored, it must be replaced. A badly scored cylinder cannot be restored by honing, since it will only enlarge bore diameter, widening seal point between rotor and cylinder, resulting in loss of speed and power. If cylinder is replaced, new shim gaskets of the proper thickness are required to maintain the original spacing of the end plates.
- (3) End Plates. Check faces of front and rear end plates for wear or scoring. If wear depth is greater than .005 inch, end plates should be replaced. Light score marks can be lapped out with 150-grit abrasive cloth on a flat surface.
- (4) Rotor Vanes and Springs. Inspect the rotor vanes for wear, scoring, warpage or other damage. Compare the width of the old vane with a new one to determine the amount of wear that has taken place on the width. If the old vane is more than 3/64" less than the new vane (in width), it must be replaced. An old vane that shows wear on the thickness must also be replaced. Vanes worn in this manner will eventually fail, cause costly repairs, and unexpected down-time on the hoist. Warped vanes must also be replaced as the vanes must move in and out of the rotor slot without binding. Inspect leaf springs and centering pins. Worn areas on springs can cause eventual spring breakage and motor lock up. Replace worn springs, particularly when vanes are replaced.

- (5) Motor Bearings. Check motor bearings, especially the bearing at the extended shaft end of the motor, for excessive looseness or binding. Do not, under any circumstances, wash sealed bearings nor blow off with a high pressure air hose. Replace damaged or worn bearings. See Paragraph 7-8.

- e. Reassemble and Test Hoist. Reassemble hoist as outlined in SECTION VII, Paragraph 7-9. After reassembly, test hoist in accordance with Paragraph 7-10.

**5-5. INSPECTION: 5000 HOURS "ON" TIME OR 5 YEARS ELAPSED TIME.** Hoist must be removed from overhead suspension.

- a. Disassemble Hoist into Subassemblies. Follow procedure outlined in SECTION VII, Paragraph 7-2.
- b. Motor shaft oil seal and "O" ring, sprocket shaft bearing and seal, guide pin "O" rings and all gaskets should be replaced.
- c. Inspect Load Brake and Overload Clutch. Disassemble load brake and clutch assembly as outlined in Paragraph 7-4. Friction discs should be discarded and replaced with new discs. Check load brake friction surfaces on flange, ratchet assembly and gear clutch cone. Replace parts if badly scored or worn. Check condition of pawl and ratchet assembly. If pawl, ratchet teeth or pawl spring are broken, damaged or badly worn, replace complete assembly. Check contact faces of load brake cam and gear center. Brake gear and pinion teeth should be inspected for wear or broken teeth. Clean parts thoroughly with an oil solvent before reassembly.

NOTE: The overload clutch assembly should not be disassembled as it is preset at the factory to provide proper clutch pressure for a specific hoist capacity range. If there is evidence of the clutch slipping or wear or damage to the clutch components, the complete clutch assembly should be replaced or sent to a recognized **CM** Hoist Repair Station to be rebuilt and properly adjusted to factory specifications.

d. Inspect Sprocket and Intermediate Gears.

(1) Check condition of gear teeth on intermediate gear and pinion shaft assembly. Replace worn or damaged parts.

(2) Check condition of teeth or pockets on chain sprocket. Replace worn or damaged parts.

e. Reassemble and Test Hoist. Reassemble hoist from subassemblies following procedure outlined in Paragraph 7-9. After assembly is complete, test hoist as outlined in Paragraphs 7-10 and 7-11.

**SECTION VII — DISASSEMBLY AND REASSEMBLY**

**7-1. GENERAL.**

a. The following disassembly and reassembly instructions apply to all models of **CM AIRSTAR 6** Air Hoists. Where needed, variations to instructions are provided to cover differences between models (suspensions, load chain, reeving, capacity sizes) with applicable models specifically noted.

b. A complete teardown procedure is given. However, if only certain parts require repair or replacement,

**SECTION VI — TROUBLESHOOTING**

TROUBLE	PROBABLE CAUSE	REMEDY
6-1. Hoist does not operate.	<ol style="list-style-type: none"> <li>1. Insufficient air pressure at source.</li> <li>2. Insufficient air supply at hoist.</li> <li>3. Clogged air intake.</li> <li>4. Excessive overload.</li> <li>5. Clogged valve — pendant throttle control.</li> <li>6. Clogged or inoperative valve-supply head assembly.</li> <li>7. Motor failure.</li> </ol>	<ol style="list-style-type: none"> <li>1. Check air pressure and adjust.</li> <li>2. Use correct size supply hose.</li> <li>3. Shut off air — disconnect air hose — clean air filter.</li> <li>4. Reduce loading to rated capacity of hoist, as shown on nameplate.</li> <li>5. Disassemble and check pendant throttle control. Refer to SECTION VII, Paragraph 7-6.</li> <li>6. Disassemble and check supply head assembly. Refer to SECTION VII, Paragraph 7-7.</li> <li>7. Disassemble motor and check rotor vanes and springs. Replace defective parts.</li> </ol>
6-2. Hoist will not hold load in suspension.	<ol style="list-style-type: none"> <li>1. Load brake not holding.</li> </ol>	<ol style="list-style-type: none"> <li>1. Remove load brake and inspect parts. Refer to SECTION VII, Paragraph 7-4.</li> </ol>
6-3. Hook Will Raise But Not Lower.	<ol style="list-style-type: none"> <li>1. Load brake locked up and overload clutch slipping (Caused by excessive overload).</li> </ol>	<ol style="list-style-type: none"> <li>1. Consult a recognized <b>CM</b> Hoist Repair Station.</li> </ol>
6-4. Hoist loses power.	<ol style="list-style-type: none"> <li>1. Insufficient air pressure.</li> <li>2. Clogged air intake.</li> <li>3. Clogged muffler (Iced).</li> <li>4. Worn or broken rotor vanes, springs, or pins.</li> </ol>	<ol style="list-style-type: none"> <li>1. Check air pressure and adjust.</li> <li>2. See this Section, Paragraph 6-1.</li> <li>3. Remove muffler cover. Clean screen and muffler. Reduce frequency of lift to prevent icing.</li> <li>4. Replace rotor vanes, springs, and pins.</li> </ol>
6-5. Cannot regulate speed by control handles.	<ol style="list-style-type: none"> <li>1. Clogged valve — pendant throttle control.</li> </ol>	<ol style="list-style-type: none"> <li>1. See this section, Paragraph 6-1.</li> </ol>
6-6. Hoist lifting or lowering speed differs from rated speed at full load.	<ol style="list-style-type: none"> <li>1. Incorrect air pressure or inadequate air supply.</li> <li>2. Loss of power.</li> </ol>	<ol style="list-style-type: none"> <li>1. Check pressure at hoist when hoist is operating.</li> <li>2. See this section, Paragraph 6-4.</li> </ol>

a partial teardown may be performed, using applicable portions of the instructions.

- c. For easier handling during disassembly, the following disassembly steps may, where conditions permit, be completed before hoist is removed from its overhead suspension or disconnected from its air supply: Remove chain container, if hoist is so equipped. Remove lower block and load chain assembly, following procedure outlined in Paragraph 7-2.a. Drain and discard gearcase oil, by removing plug at bottom of frame.
- d. These hoists contain precision machined parts and should be handled with care at disassembly and at reassembly. When removing or installing parts with press fits, be careful to apply pressure evenly. On ball bearings, apply pressure to face of inner or outer race, whichever is adjacent to mating part. This will avoid damage to bearing races from brinelling by pressing through bearing balls. Apply a thin film of sealant to parts having a press fit when they are installed.
- e. To remove hoist from overhead suspension:
  - (1) Turn off air at source.
  - (2) Operate control to bleed air from hoist.
  - (3) Disconnect air hose at inlet swivel.
  - (4) Remove hoist from overhead suspension.

## 7-2. DISASSEMBLY OF HOIST INTO SUBASSEMBLIES.

- a. Removal of Lower Block and Load Chain Subassembly.
  - (1) On models with single reeved load chains disconnect tail end of load chain from anchor at side of frame. Remove fillister head screw holding end link to frame. Remove nuts from the limit actuator and remove from chain. With hoist connected to air supply, run chain out of hoist by operating in "lowering" direction. (See note following Paragraph (2) below and note in SECTION V, Paragraph 5-2.a.(3) for inserting short length of chain.)
  - (2) On models with double reeved load chains disconnect tail end of load chain from anchor at side of hoist frame and remove limit actuator as in (1) above, run chain out of hoist by operating it in "lowering" direction, and disconnect opposite end of load chain from an-

chor inside hoist frame. To disconnect this end of chain, remove cotter pin from end of anchor pin, press pin from anchor and withdraw chain.

NOTE: If hoist is inoperative it will be necessary to wait until after load brake is removed (Paragraph c, below), then the chain can be pulled thru the hoist by hand.

- (3) On triple reeved chain hoists, remove retaining ring and connecting link pin as shown in Figures 7-27 and 7-28. Remove connecting link with chain from lower block. To remove connecting link from chain, take out cotter key and push anchor pin from connecting link. Chain can now be pulled through hanger bracket and lower block. Unfasten tail chain from hoist frame, remove limit actuator, and if air is available, operate hoist in lowering direction to remove chain. (See note in SECTION V, Paragraph 5-2.a.(3) for inserting short length of chain.) If hoist is inoperative see note below but be sure to install short length of chain into hoist before removing load chain.

NOTE: If hoist is inoperative it will be necessary to remove load brake (Paragraph c, below) so chain can be pulled through the hoist by hand.

- (4) To remove hanger bracket from triple reeved hoist, remove retaining ring and connecting rod pin (see Figure 7-1). Rotate hoist approximately 45°. (see Figure 7-2) and hanger will slip free from hoist frame.

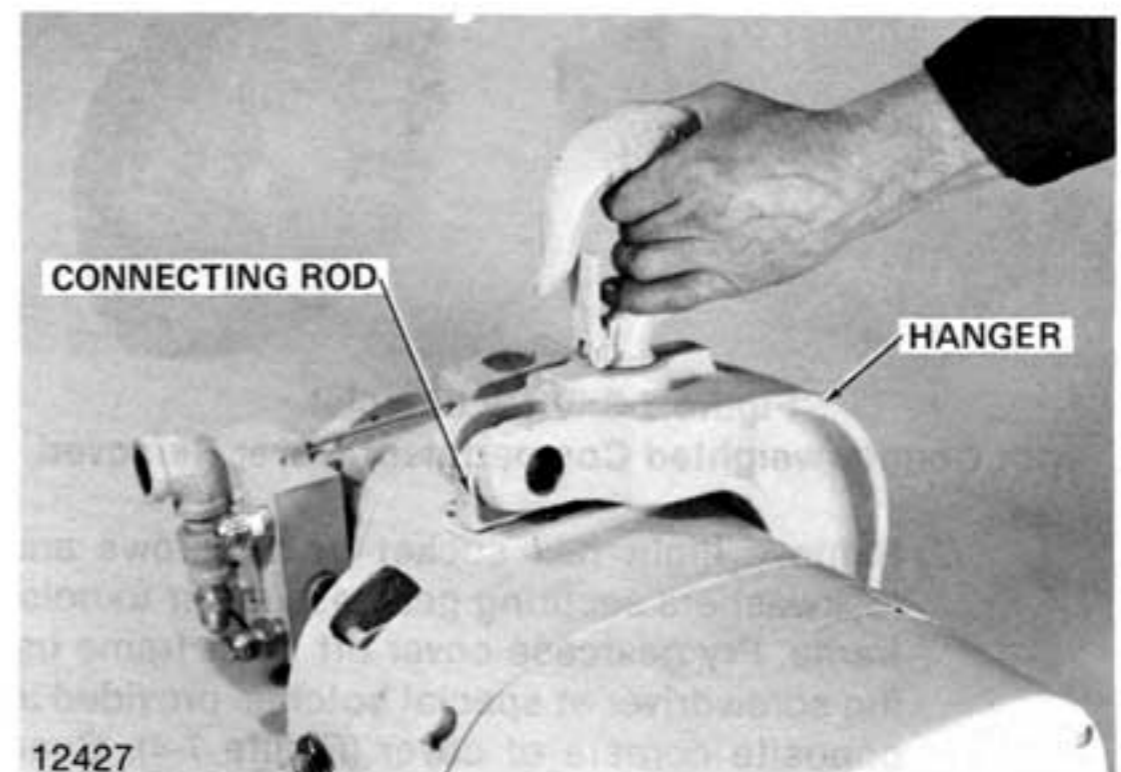


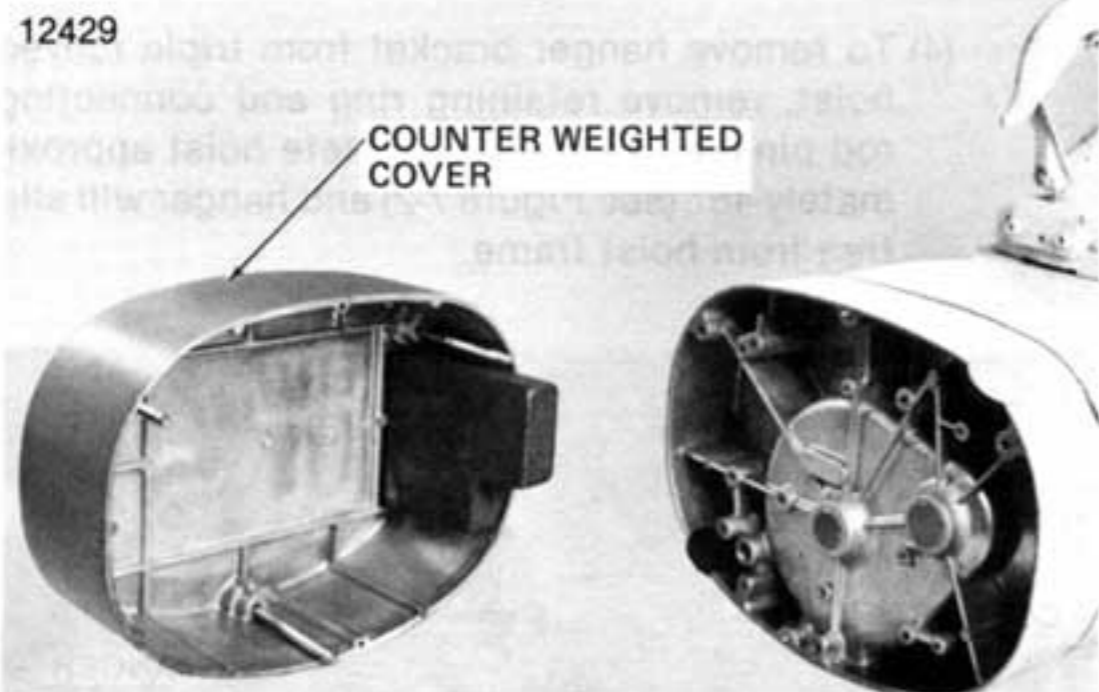
Figure 7-1. 3 Ton Hanger Bracket Connection Pin Removed.



**Figure 7-2. Removing 3 Ton Hanger Bracket from Hoist Frame.**

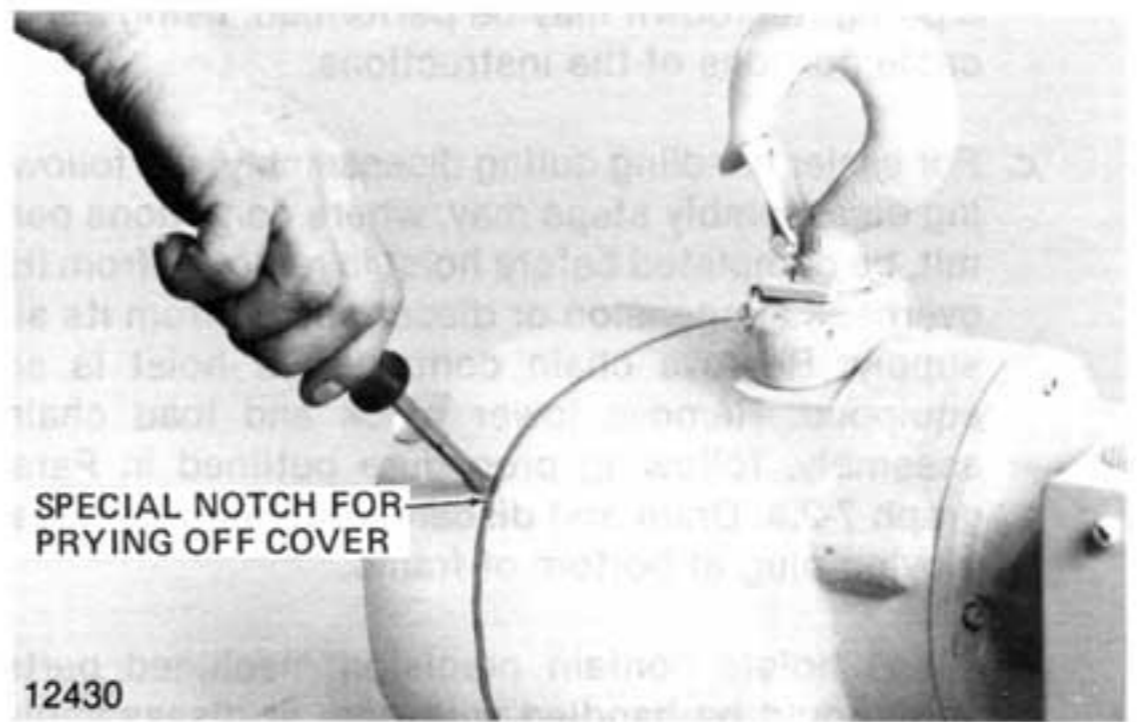
**b. Removal of Counterweighted Compartment Cover and Gearcase Subassembly.**

- (1) Disconnect hoist from air source. Remove three cover retaining screws and lift off cover (Figure 7-3). Cover screws have retaining rings which hold them in cover. Use caution as cover contains a counterweight.

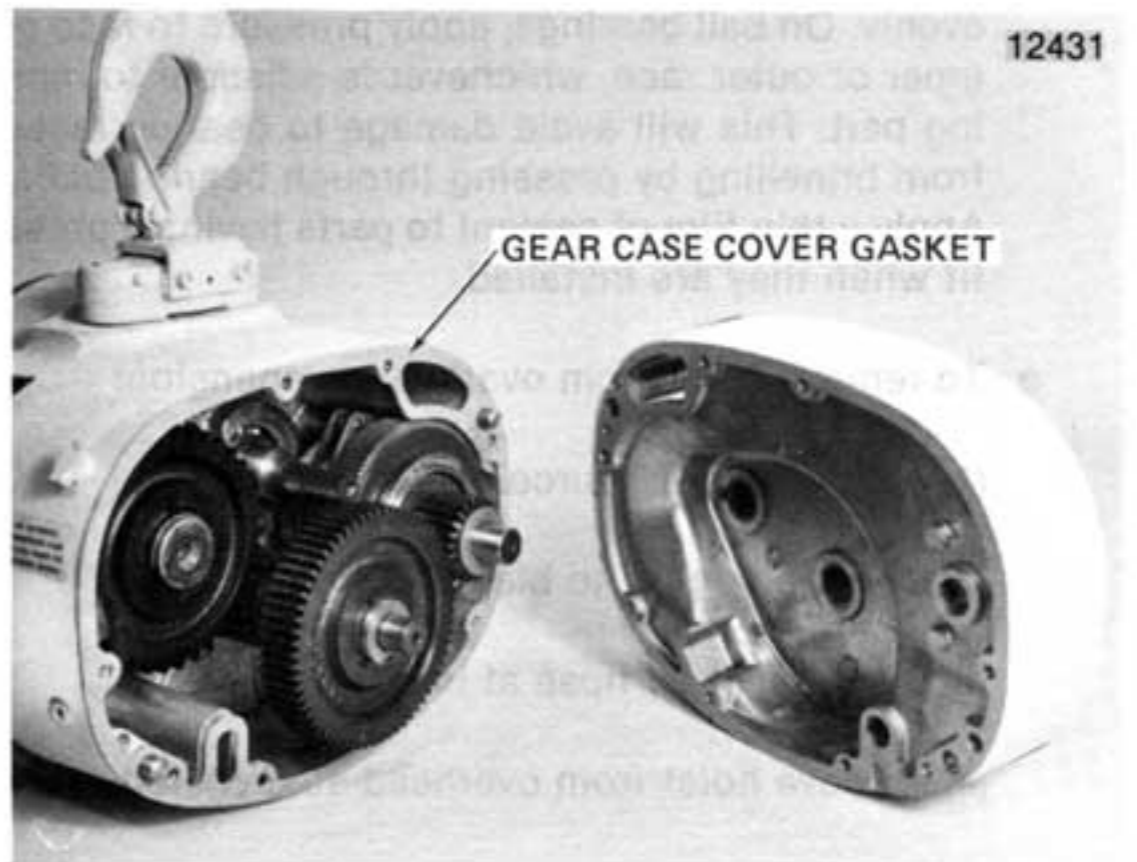


**Figure 7-3. View of Hoist with Counterweighted Compartment Cover Removed.**

- (2) Remove eight hex socket head screws and lockwashers securing gearcase cover to hoist frame. Pry gearcase cover off hoist frame using screwdriver at special notches provided at opposite corners of cover (Figure 7-4). Gearcase cover can now be lifted from frame (Figure 7-5). Discard gearcase cover gasket.



**Figure 7-4. Prying Gearcase Cover From Hoist Frame.**



**Figure 7-5. Gearcase Cover Removed From Frame.**

- (3) To remove limit stop from frame, drive shaft supporting limit stop out of frame from gearcase end.

c. Removal of Load Brake and Clutch Assembly and Intermediate Gear Subassembly.

Pull load brake and clutch assembly and intermediate gear assembly, including the thrust washers for each unit, from hoist frame (Figure 7-7).

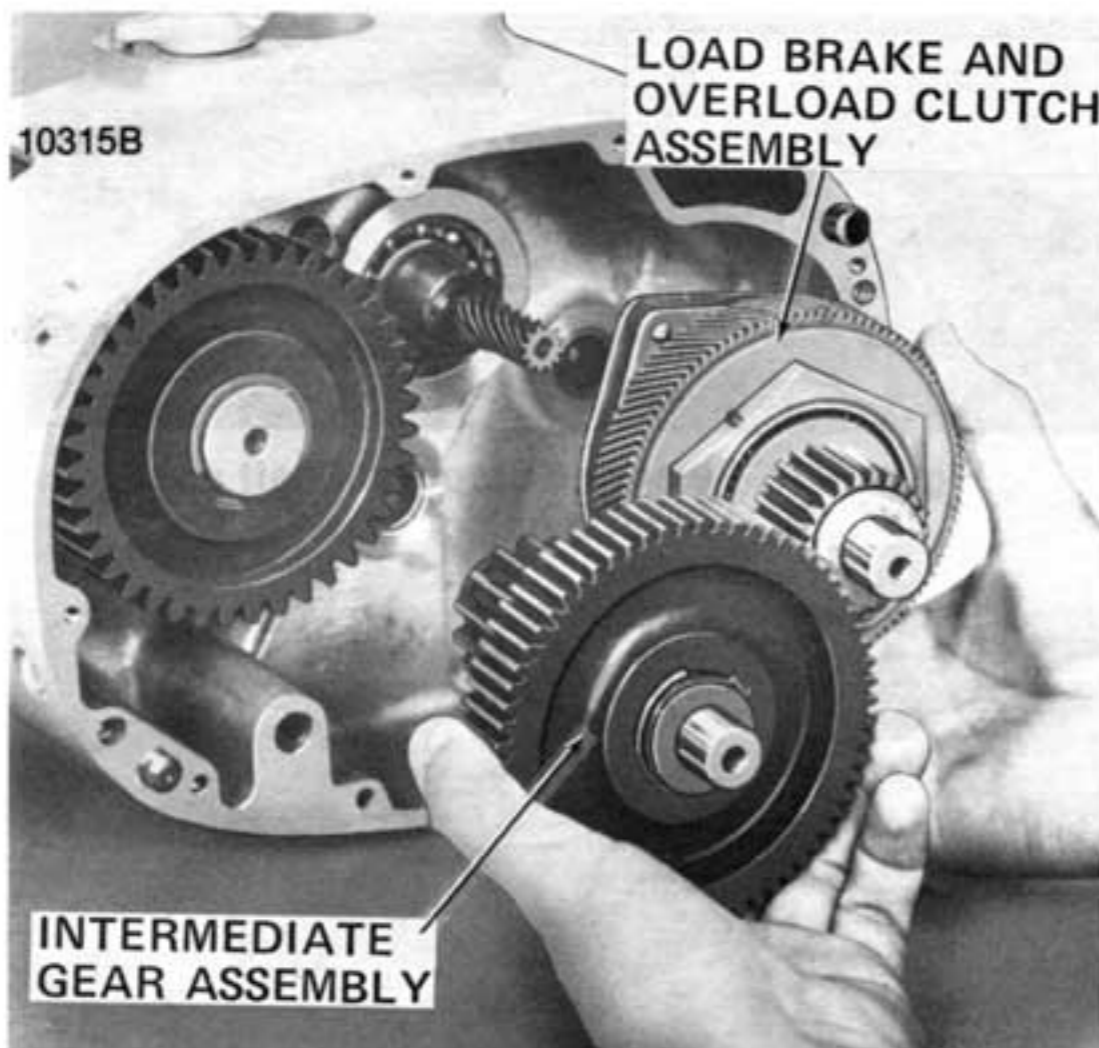


Figure 7-7. Removing Load Brake and Clutch and Intermediate Gear Subassemblies.

d. Removal of Motor and Supply Head Assembly.

Place hoist frame on wood blocks to protect integral gear on motor shaft. Loosen four motor mounting bolts and lift motor assembly from frame (Figure 7-8).

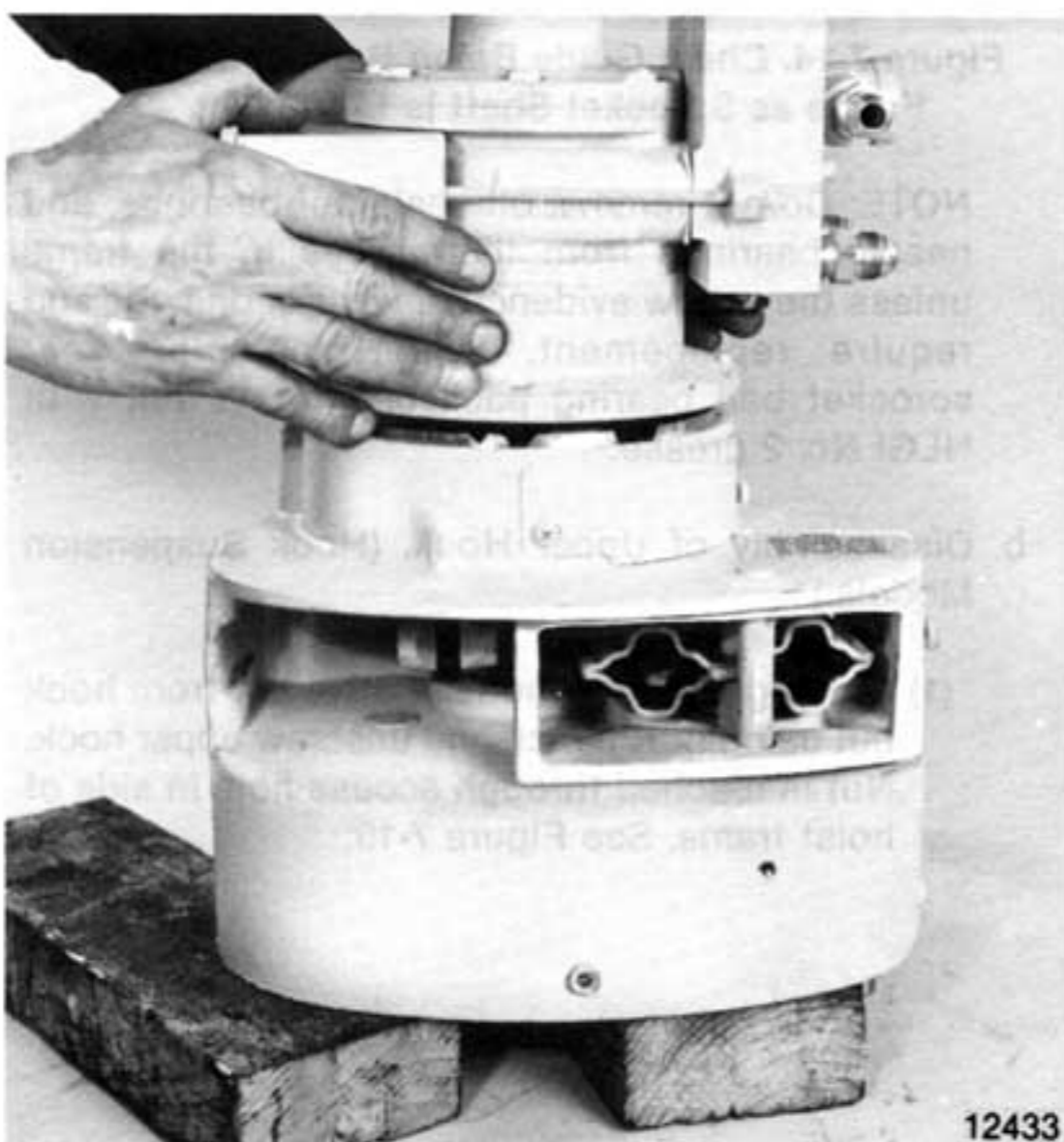


Figure 7-8. Removing Motor Assembly.

7-3. REBUILD OF HOIST FRAME, SPROCKET GEAR, SPROCKET SHAFT AND CHAIN GUIDE.

a. Disassembly of Sprocket Gear, Shaft and Chain Guide.

- (1) Remove retaining ring from end of sprocket shaft and pull off sprocket gear using a common puller (Figure 7-9). Remove Woodruff key from shaft.

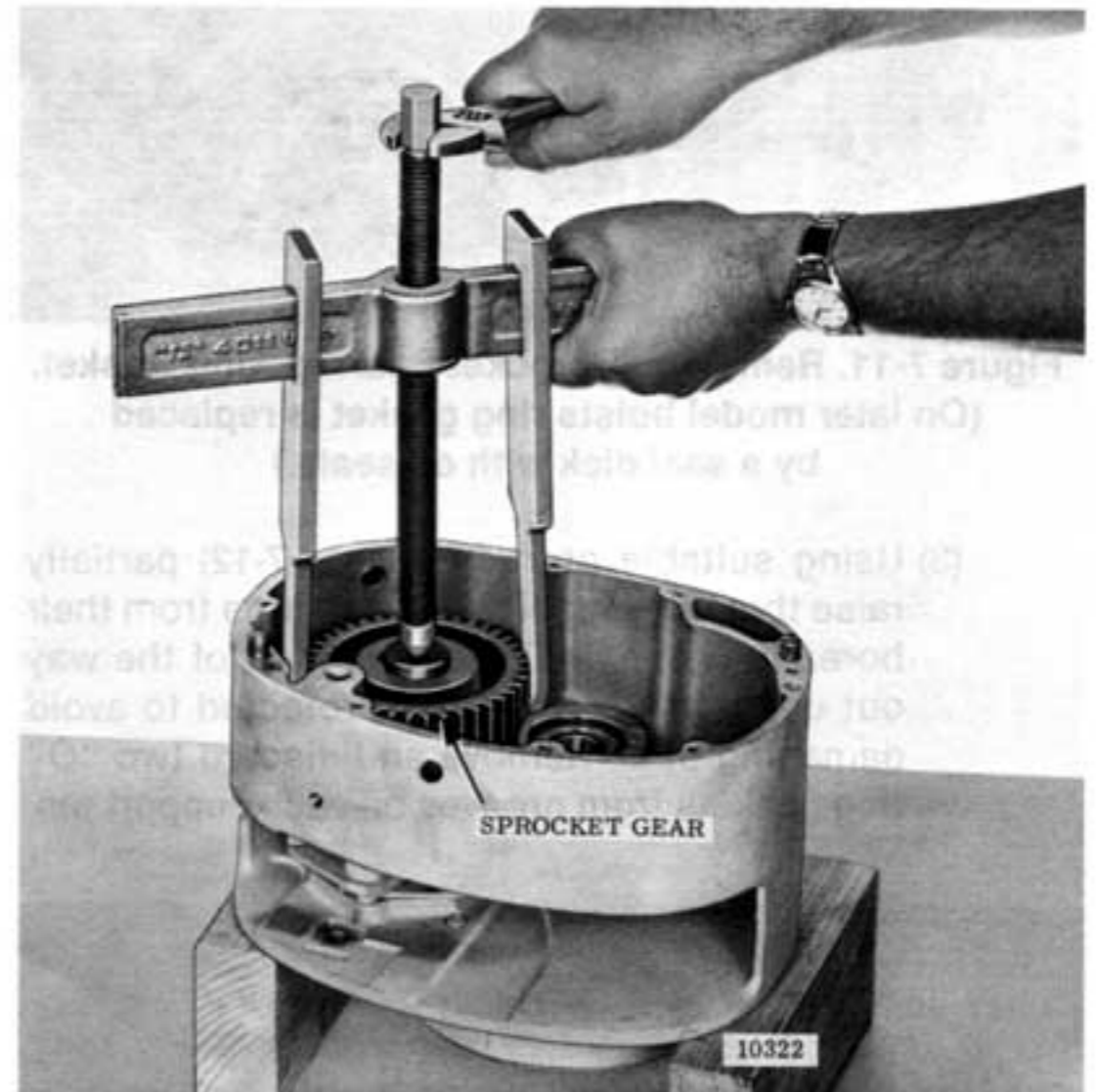


Figure 7-9. Pulling Sprocket Gear from Sprocket Shaft Using Common Puller.

- (2) Unscrew four fillister head machine screws securing sprocket bearing retaining plate and remove plate (Figure 7-10). Remove and discard ring gasket from groove around bearing or remove seal disk (Figure 7-11).

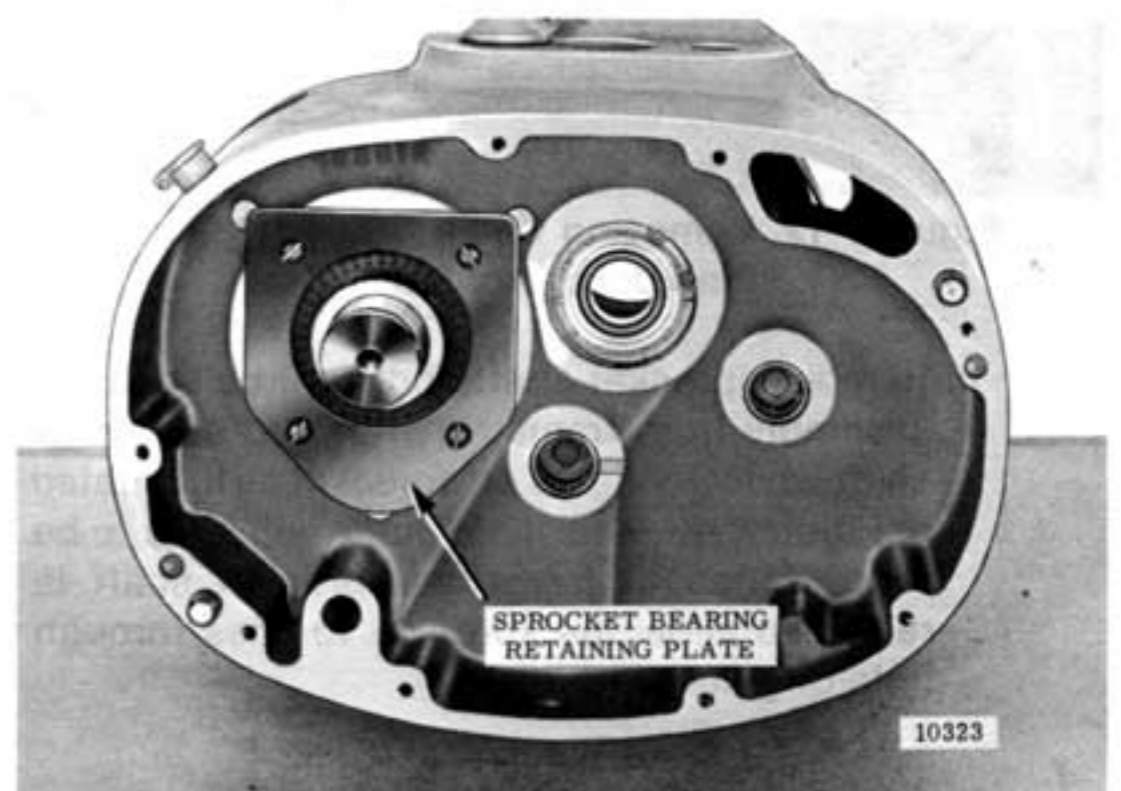
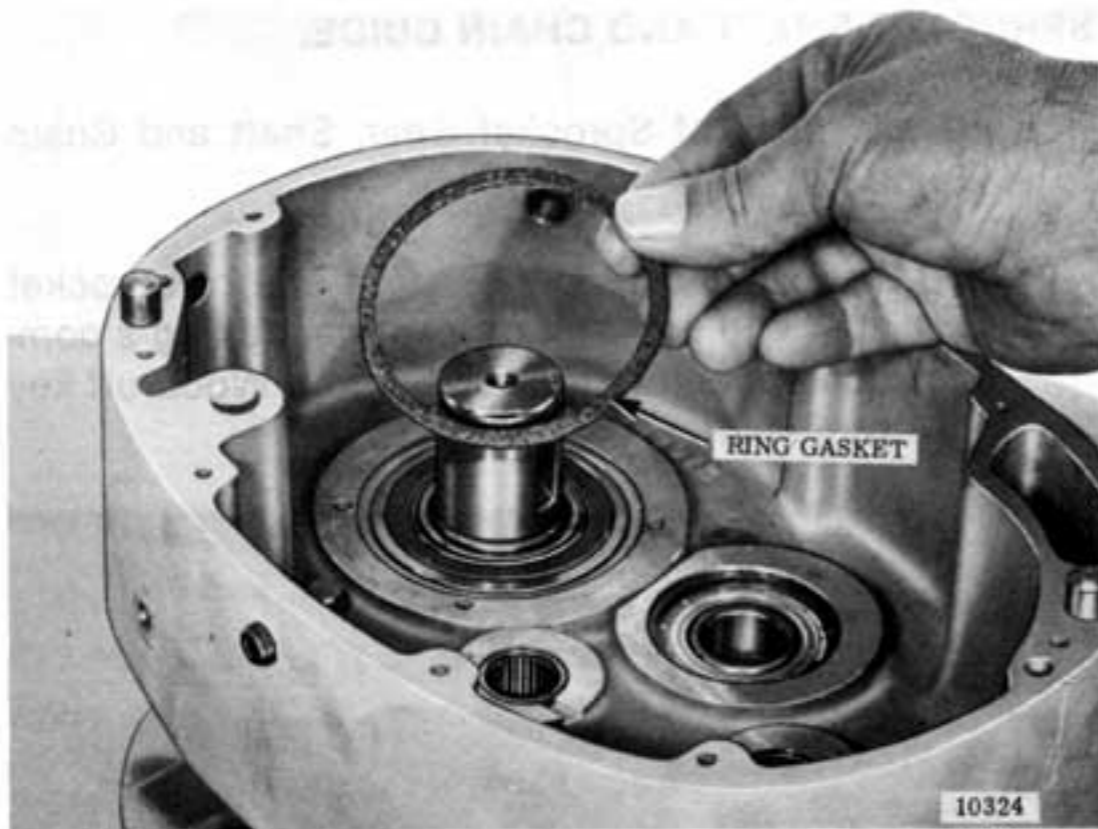
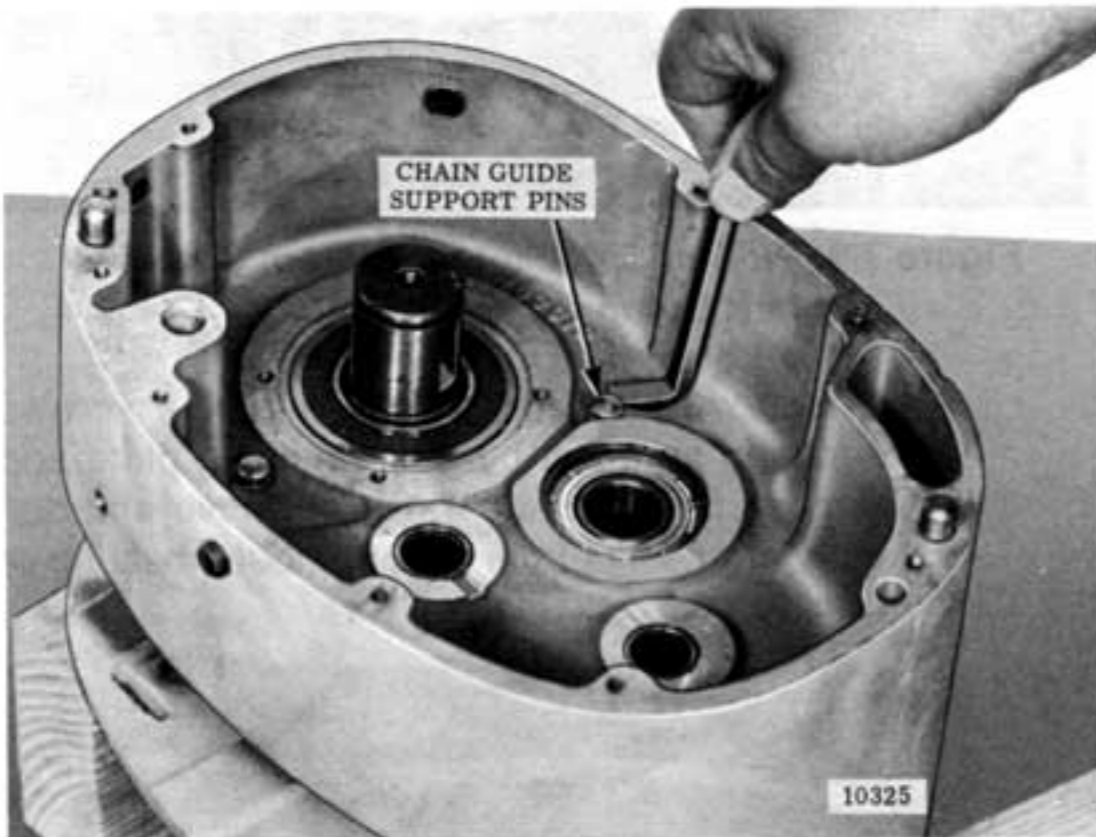


Figure 7-10. View of Sprocket Bearing Retaining Plate.



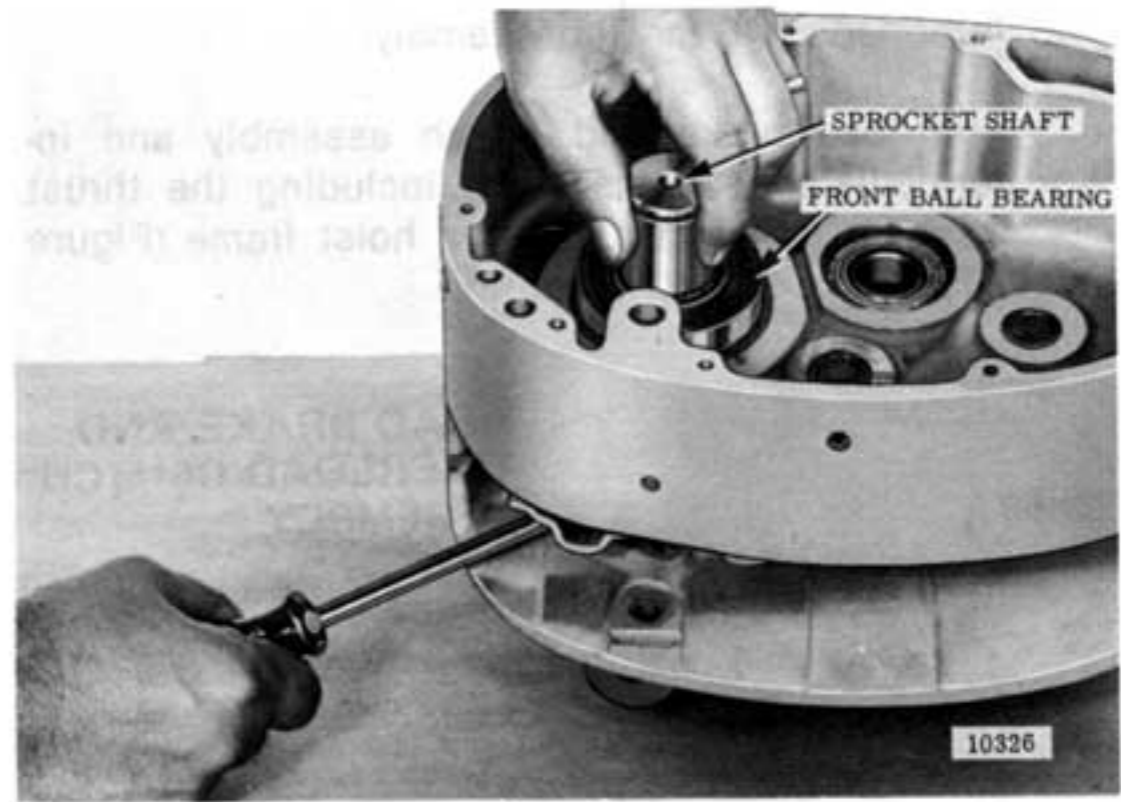
**Figure 7-11. Removing Sprocket Bearing Ring Gasket.**  
(On later model hoists ring gasket is replaced by a seal disk with oil seals.)

- (3) Using suitable pry bar (Figure 7-12) partially raise three chain guide support pins from their bores in frame. Pull them the rest of the way out using pliers with jaws protected to avoid damaging pins. Remove and discard two "O" ring gaskets from grooves on each support pin.

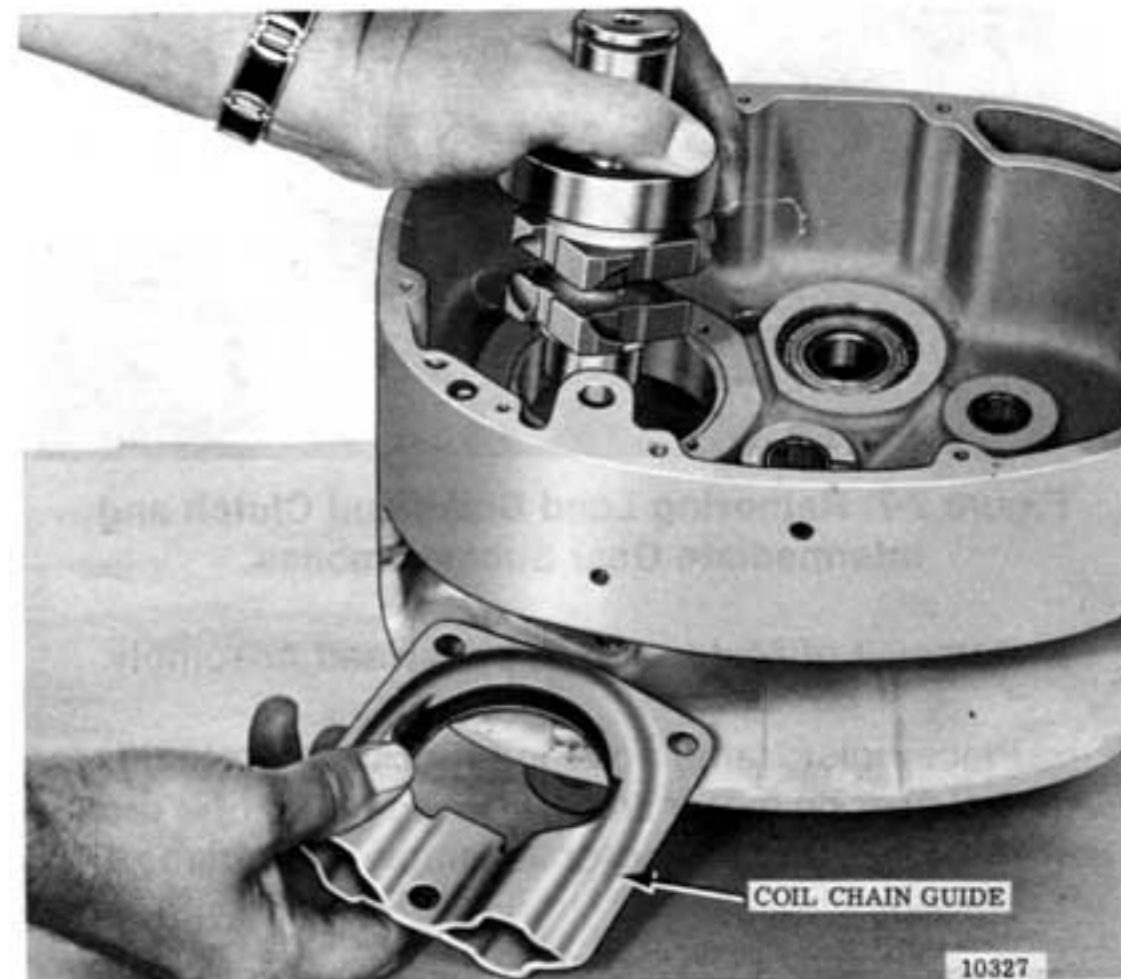


**Figure 7-12. Removing Chain Guide Support Pins Using Pry Bar.**

- (4) Remove sprocket shaft and front ball bearing assembly from frame by lifting up on end of shaft while prying up on sprocket as illustrated in Figure 7-13. The chain guide will need to be repositioned in frame as sprocket shaft is raised to allow the sprocket to pass through hole of guide (Figure 7-14).



**Figure 7-13. Removing Sprocket Shaft and Front Bearing.**



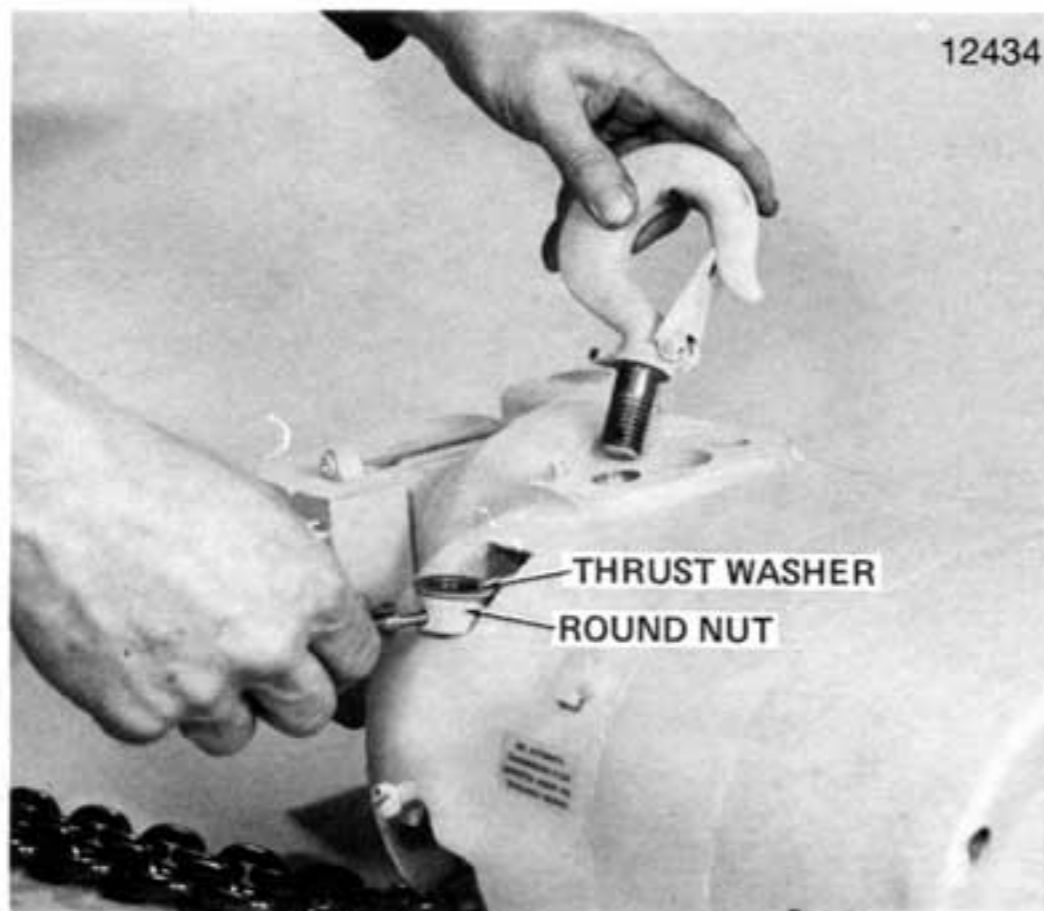
**Figure 7-14. Chain Guide Being Removed From Frame as Sprocket Shaft is Lifted Out.**

**NOTE:** Do not remove oil seal, ball bearings, and needle bearings from their bores in the frame unless they show evidence of wear or damage and require replacement. When replacing rear sprocket ball bearing pack bearing  $\frac{1}{2}$  full with NLGI No. 2 grease.

- b. Disassembly of Upper Hook. (Hook Suspension Models.)

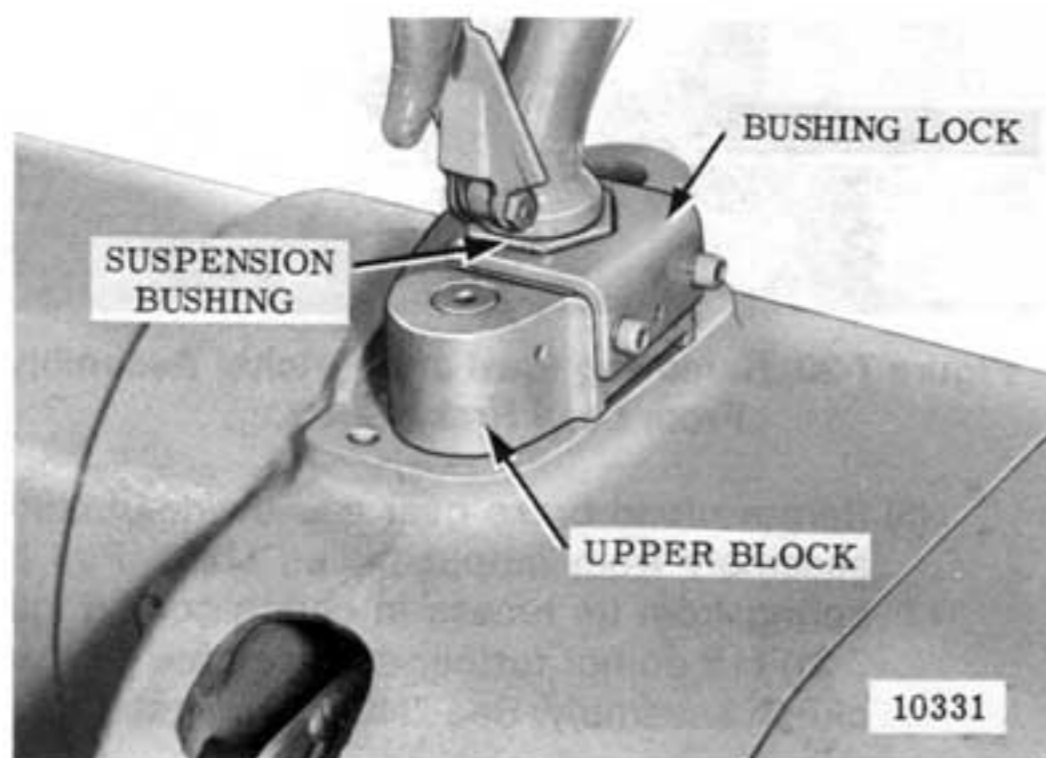
- (1) On single reeved models, drive pin from hook nut using drift punch and unscrew upper hook. Nut is reached through access hole in side of hoist frame. See Figure 7-15.





**Figure 7-15. Removing Upper Hook and Hook Nut From Hoist Frame (Single Reeved Models).**

- (2) On double reeved models, unscrew two hex socket head screws holding suspension bushing lock assembly to upper block (Figure 7-16) and remove lock. Unscrew suspension bushing from block to remove hook. To disassemble block from frame remove drive pin from nut inside frame and unscrew nut from stud holding body to frame. Remove drive pin securing threaded end of chain anchor in block and unscrew anchor. Block can then be lifted off.



**Figure 7-16. View of Upper Hook Assembled To Hoist Frame (Double Reeved Models).**

NOTE: Hook and bushing assembly is not to be further disassembled as nut securing bushing to hook shank is welded in place at the factory. Only the assembly is available for replacement.

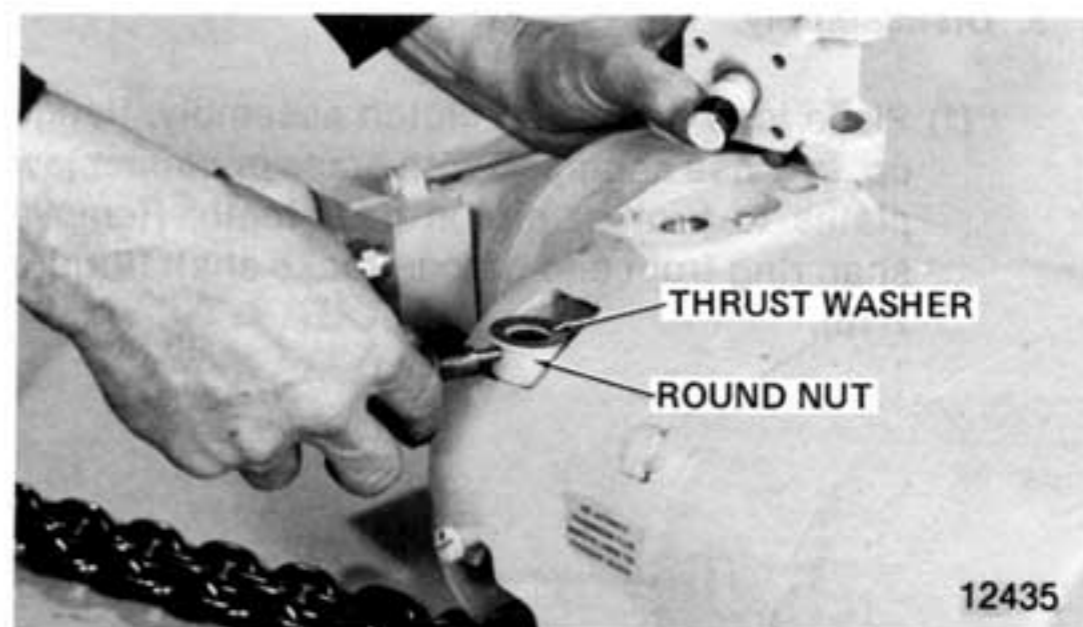
- (3) On triple reeved models, remove retaining ring from connecting rod pin and push connecting rod pin through bracket and connecting rod, releasing hanger (see Figure 7-1). Raise hanger above hoist frame to provide access to hook nut. Rotate hook until grooved pin in nut is visible from end of hanger frame. Using a drift punch, drive grooved pin through hook nut un-

til it hits hanger pocket. Remove drift punch far enough to hold nut from turning and unscrew hook from nut. Thrust washer will fall free.

- (4) To remove connecting rod (Figure 7-1) on triple reeved hoist drive pin from rod using drift punch and unscrew connecting rod. Nut is reached through access hole in side of hoist frame. (See Figure 7-15.)

c. Disassembly of Suspension Lug (Lug Suspension Models).

- (1) On single reeved models drive grooved pin from the round nut inside the hoist frame. Hold round nut from rotating with drift punch through access hole in side of hoist frame. Unscrew suspension stud assembly by wrenching hex on top of suspension lug (see Figure 7-17).



**Figure 7-17. Removing Suspension Lug (Single Reeved Model).**

- (2) On double reeved models, remove three hex socket head screws securing the two lock plates to block at top of frame and pull out locks. Remove suspension lug, using an extra thin 1-1/4" open end wrench to unscrew suspension bushing from block. Instructions for removing block from frame are given in Paragraph b.(2).

NOTE: The suspension lug is not to be further disassembled, as nut securing suspension bolt and bushing to lug is permanently secured in place at the factory. Only the suspension lug assembly is available for replacement.

- (3) On triple reeved models lug bolt is removed in same manner as hook. See Paragraph 7-3.b.(3).

d. Reassembly.

- (1) Before assembly, all parts should be thoroughly cleaned and inspected to determine their serviceability. Replace parts that are excessively worn or damaged.

- (2) Reassemble suspension hook or lug, chain guide, sprocket shaft and sprocket gear to frame following a reverse procedure of the disassembly steps listed in Paragraphs a thru c, above. If ball bearing is to be reinstalled on sprocket be certain to position it so that the seal side of bearing faces out, away from sprocket. To help prevent oil seepage, apply sealant on O.D. of sprocket bearing and in seat for the ring gasket.

**! WARNING**

If groove pin securing nut to upper hook is loose, replace hook-nut assembly and pin.

**7-4. REBUILD OF LOAD BRAKE AND OVERLOAD CLUTCH ASSEMBLY.**

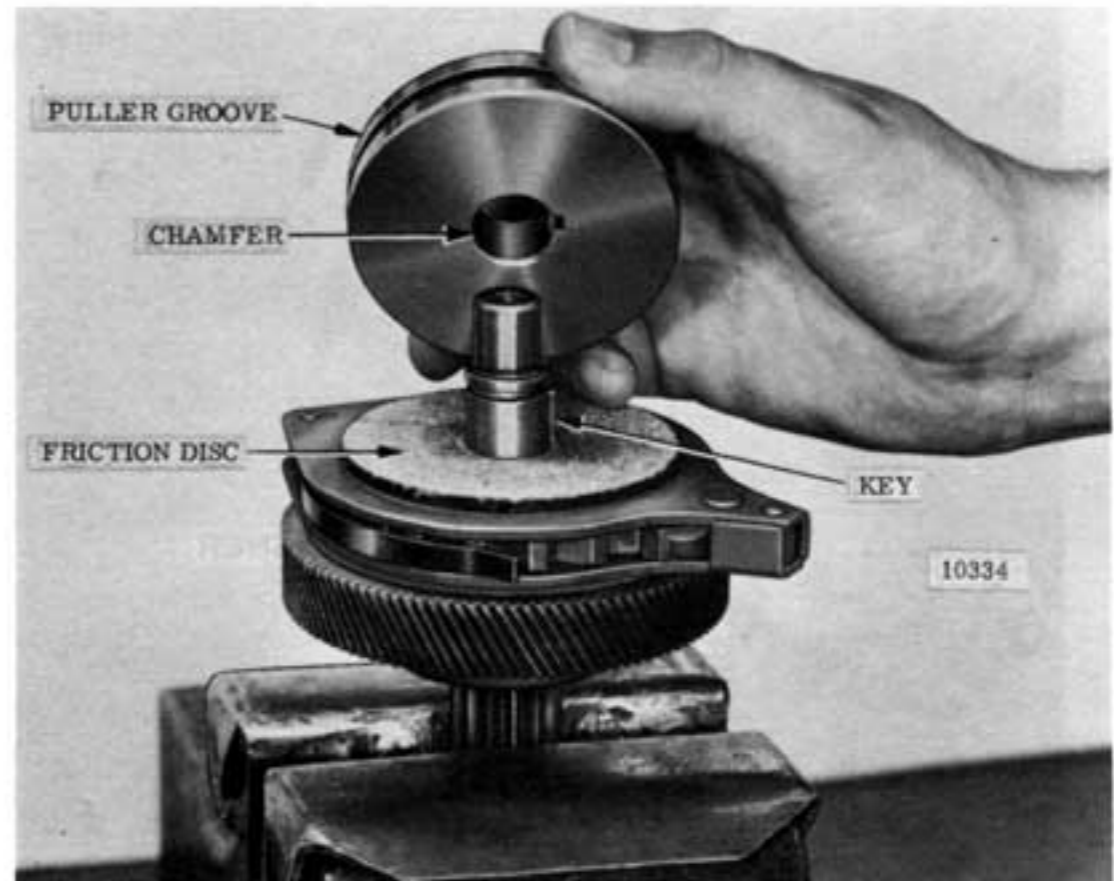
**a. Disassembly.**

- (1) Place load brake and clutch assembly, flange up, in a vise equipped with brass or copper jaw plates to protect pinion gear teeth. Remove snap ring from end of load brake shaft (Figure 7-18).

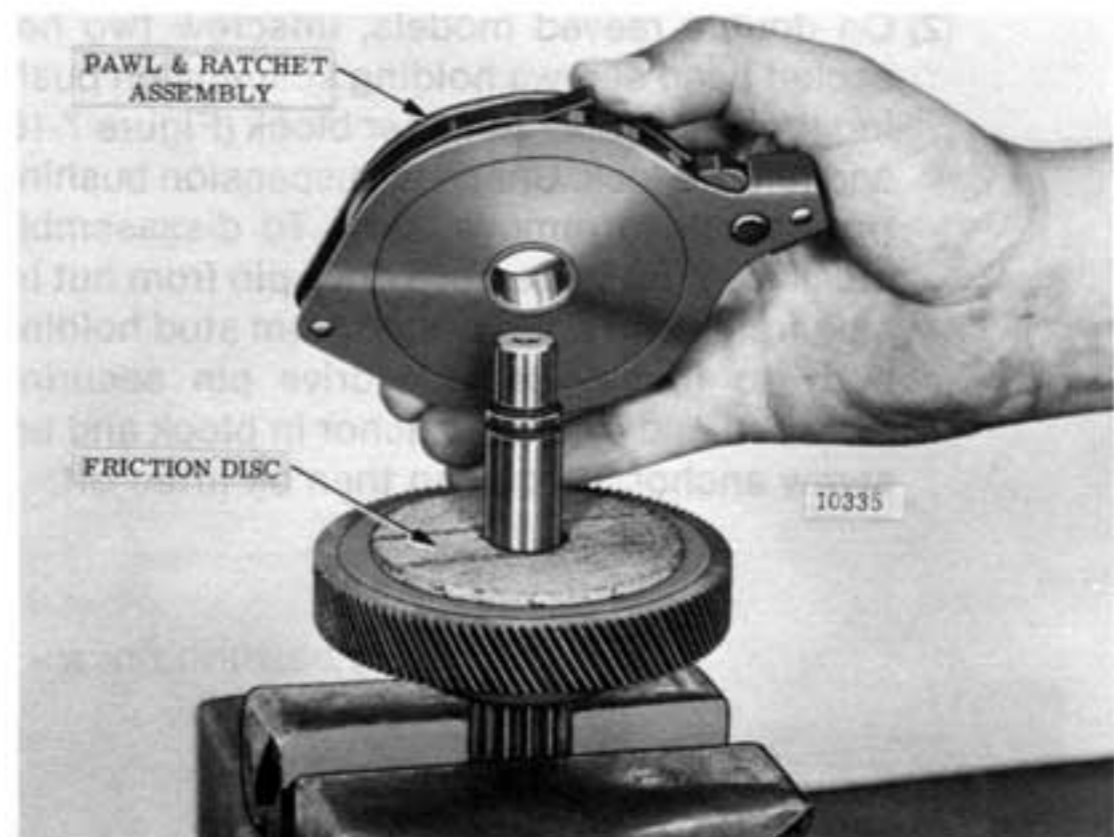


**Figure 7-18. Removing Snap Ring from Load Brake Shaft.**

- (2) Using a puller tool, remove brake flange from shaft. A groove is provided around outer diameter for this purpose. See Figure 7-19. Remove key from shaft and lift off 2 friction discs, and the pawl and ratchet assembly (Figure 7-20).



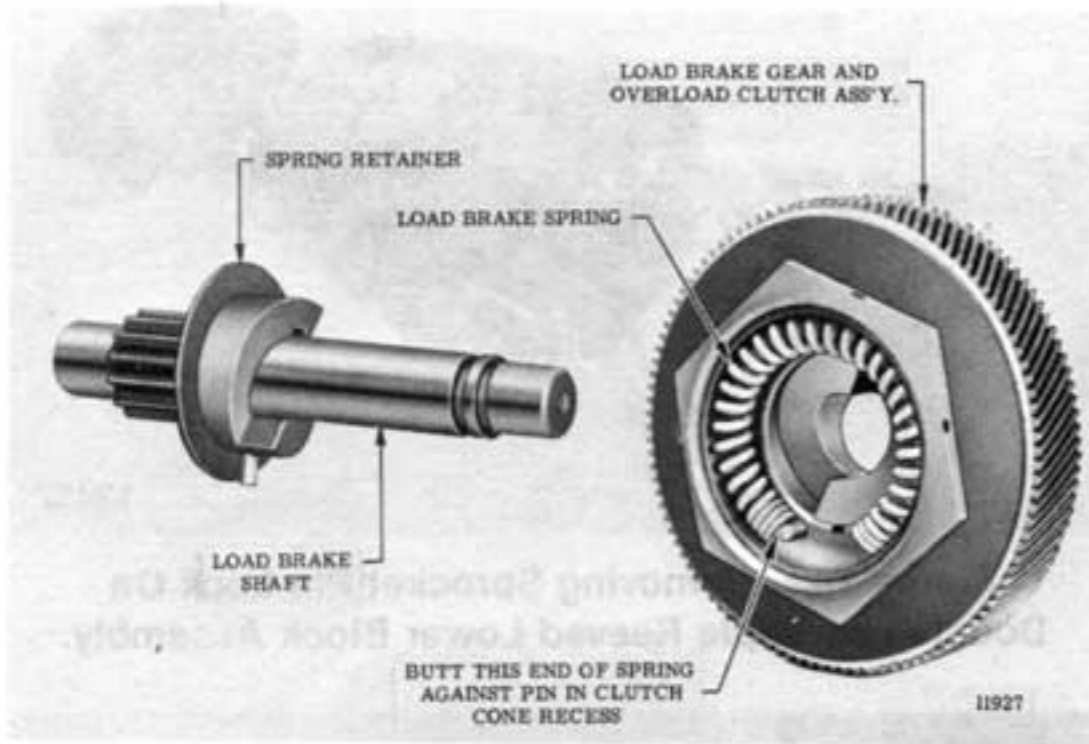
**Figure 7-19. View Showing Load Brake Flange Removed.**



**Figure 7-20. Removing Pawl and Ratchet Assembly From Load Brake Shaft.**

- (3) Remove load brake gear and overload clutch assembly from output pinion shaft. Pull the spring from its recess in clutch cone (Figure 7-21) but do not further disassemble gear and clutch assembly. See "NOTE" below.

NOTE: Disassembly of the load brake gear and overload clutch assembly (Figure 7-21) is not recommended. Clutch pressure is preset by the factory at assembly to provide the correct torque to allow the clutch to refuse loads within a specified range (100% of rated load to 180% rated load). It is suggested whenever there is a need to repair or readjust the gear and clutch assembly that it be sent to a recognized **CM** Hoist Repair Station where adequate tools, fixtures and appropriate test equipment is available.



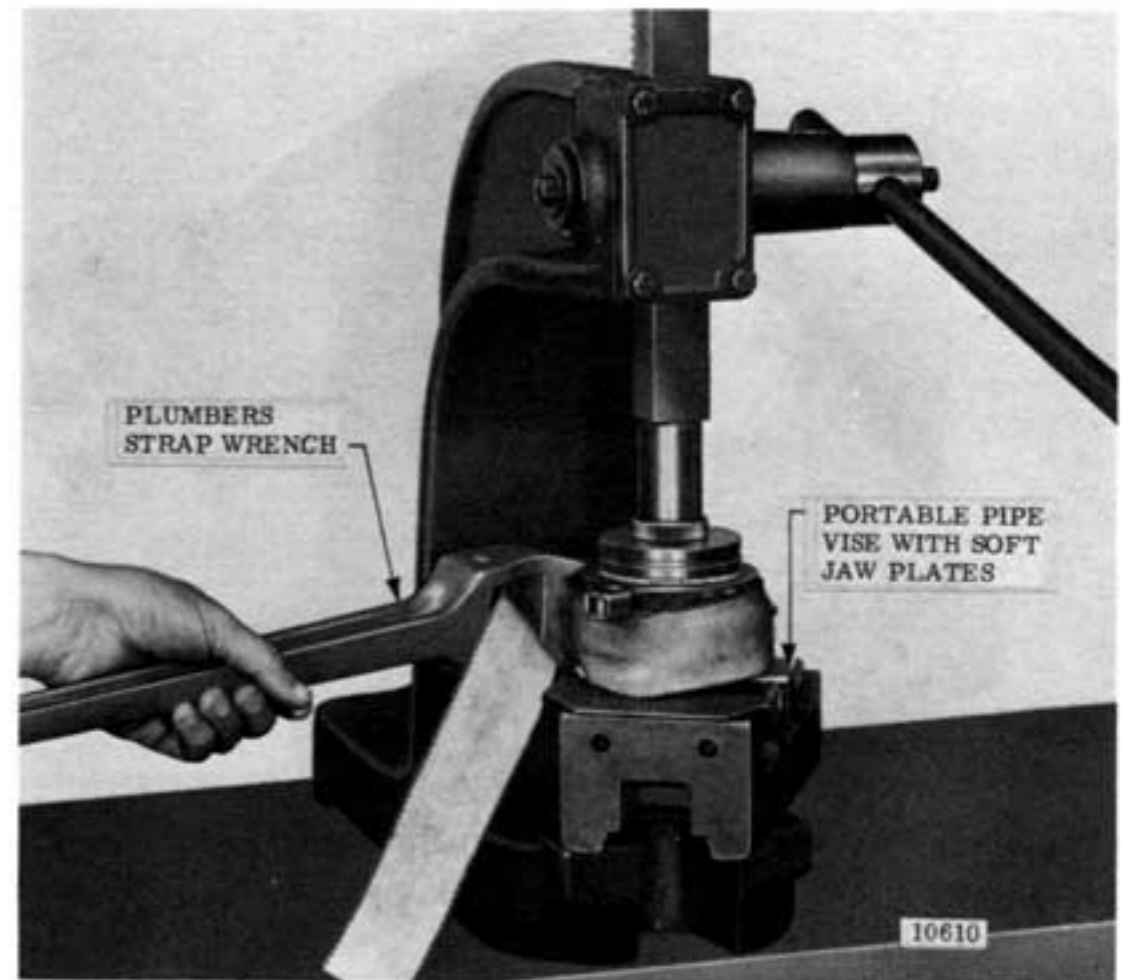
**Figure 7-21. Load Brake Gear and Overload Clutch Assembly Removed from Load Brake Shaft Showing Brake Spring Installed in Clutch Cone.**

- (4) The load brake pawl and ratchet is a riveted assembly and is not to be disassembled.

**b. Reassembly.**

- (1) Before assembly, all parts should be cleaned and inspected to determine their serviceability. Replace parts that are excessively worn or damaged.
- (2) Reassemble load brake parts following a reverse procedure of the disassembly steps listed above, observing the assembly steps (3) through (6) below.
- (3) Before installing spring in its recess in center of clutch cone (Figure 7-21) apply a good grade of ball bearing grease to inside of recess. Spring must be positioned exactly as illustrated, butted against pin.
- (4) When installing pawl and ratchet assembly on load brake shaft, be certain that teeth on ratchet face are in the same direction as shown in Figure 7-20. The ratchet assembly should rotate freely when turned counterclockwise and the pawl should engage ratchet teeth when unit is turned clockwise.
- (5) When installing brake flange position it with chamfer facing friction disc, Figure 7-19.
- (6) The brake spring must be pre-loaded at assembly to a torque of from 10 to 14 lb. ft. This is accomplished using a plumber's strap wrench to wind (rotate) load brake gear to set up spring (Figure 7-22) while pressing brake flange into place using an arbor press. Clamp pinion end of shaft into a portable vise to keep brake from rotating in press. Use brass or copper jaw plates on vise to protect pinion gear teeth. Wind gear counterclockwise (viewing brake from flange end) with plumber's strap wrench and press down on flange until snap ring groove in shaft is exposed allowing snap ring

to be installed. Use extreme care not to over wind spring as yield will result and final spring torque will be reduced. Do not wind gear beyond point necessary to install snap ring in groove.

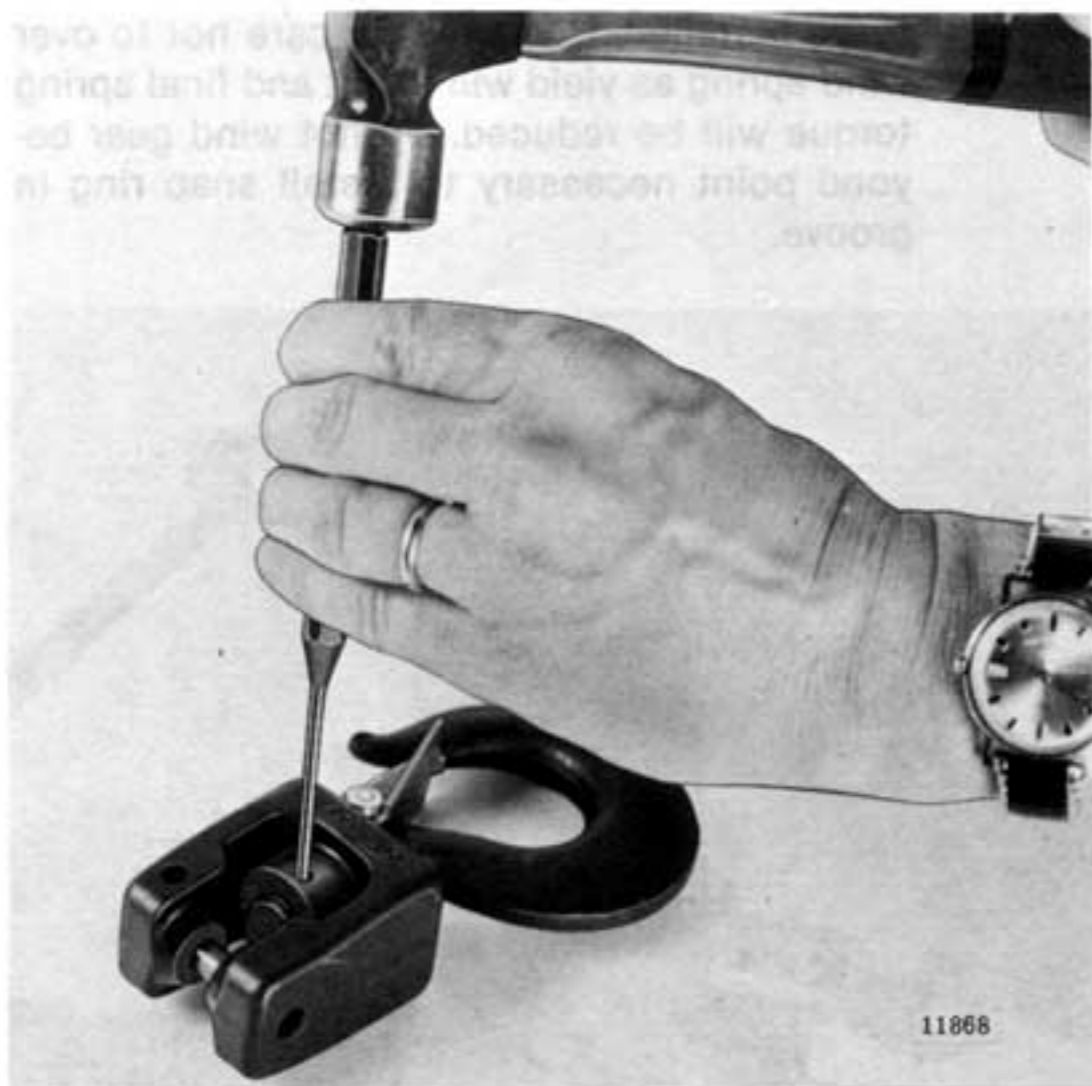


**Figure 7-22. Winding Load Brake Gear Using a Plumber's Strap Wrench to Set Up Load Brake Spring.**

**7-5. REBUILD OF LOWER BLOCK AND LOAD CHAIN ASSEMBLY.**

**a. Disassembly (single reeved models).**

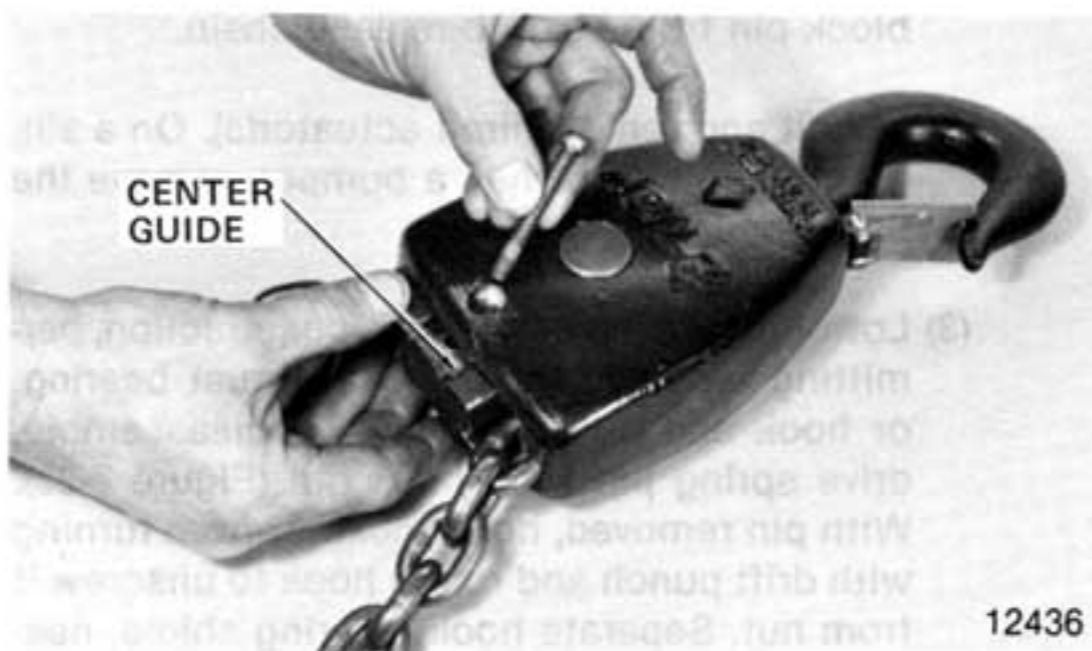
- (1) Separate load chain from lower block assembly. Drive out small roll pin securing lower block pin in lower block yoke and push lower block pin from yoke to release chain.
- (2) Unbolt and remove limit actuator(s). On a single line hoist that has a bumper, remove the bumper also.
- (3) Lower blocks are of a pinned construction, permitting replacement of body, thrust bearing, or hook and nut assembly. To disassemble, drive spring pin from hook nut (Figure 7-23). With pin removed, hold hook nut from turning with drift punch and rotate hook to unscrew it from nut. Separate hook, bearing shield, needle bearing and two thrust washers from body. Hook and nut are drilled at assembly and are replaced only as an assembly.



**Figure 7-23. Removing Roll Pin Securing Hook Nut to Hook Shank.**

b. Disassembly (double reeved models).

- (1) On double reeved models, remove fillister head screw securing center guide in top of lower block body and lift out guide (Figure 7-24) and sprocket pin lock (Figure 7-25). Press sprocket pin from body and pull out chain, sprocket and washer (Figure 7-26). Do not remove bushing type bearing from sprocket or pressure lube fitting from sprocket pin unless replacement is necessary.



**Figure 7-24. Removing Chain Center Guide from Double and Triple Reeved Lower Block Assembly.**



**Figure 7-25. Removing Sprocket Pin Lock On Double and Triple Reeved Lower Block Assembly.**



**Figure 7-26. Removing Coil Chain and Sprocket on Double and Triple Reeved Lower Block Assembly.**

- (2) To remove hook, drive grooved pin from hook nut with drift punch. With pin removed, hold hook nut from turning with drift punch and rotate hook to unscrew it from nut. Separate hook, nut, bearing shield, needle bearing and two thrust washers from body. Hook and nut are drilled at assembly and are replaced only as an assembly.

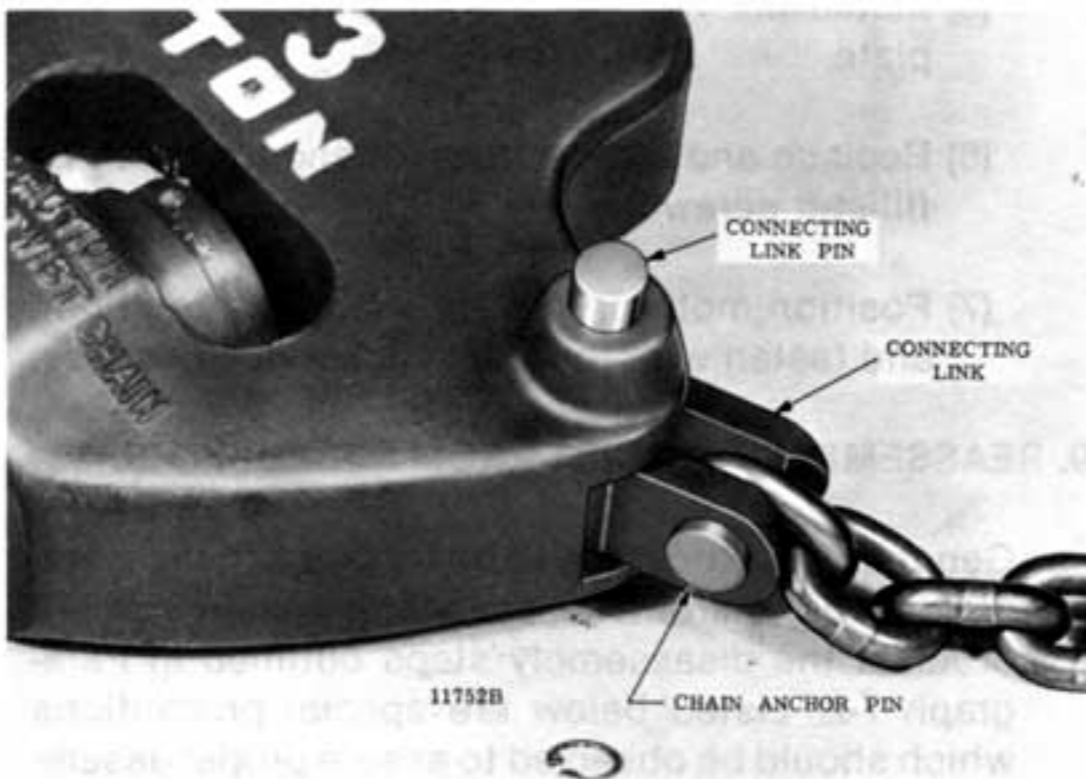
c. Disassembly (triple reeved models).

- (1) Remove chain sprocket from lower block following procedure for double reeved models described in Paragraph 7-5.b.(1) above.
- (2) To disconnect end of chain anchored to lower block, remove retaining ring from pin bore (Figure 7-27). Push connecting link pin from bore by pressing through hole provided in opposite side of block (Figure 7-28). Chain connecting link is now free and can be further disassembled for inspection.
- (3) To remove hook from lower block body, first drive grooved pin from hook nut. Then hold nut from turning using drift punch and rotate hook to unscrew it from nut. Separate hook, shroud and thrust washer from body. Note that bearing surface of washer faces nut.

- (4) To remove chain sprocket from upper suspension hanger, first remove hanger as outlined in Paragraph 7-2.a.(4). With hanger removed, push sprocket pin from hanger and sprocket. Note: Sprocket pin must be removed toward side having small anti-rotation pin slot in hanger.



**Figure 7-27. Removing Retaining Ring From Bore of Connecting Link Pin — Triple Reeved Lower Block Assembly.**



**Figure 7-28. Removing Connecting Link Pin From Triple Reeved Lower Block Assembly.**

d. Reassembly of Lower Blocks.

- (1) Clean, inspect and replace worn or damaged parts.
- (2) Lubricate and reassemble following a reverse procedure of the disassembly steps above.

**7-6. REBUILD OF PENDANT THROTTLE CONTROL ASSEMBLY.**

a. Disassembly.

- (1) Disconnect three air hoses from top of throttle control assembly.

- (2) Remove hex head cap screw and washer holding wire rope thimble and strain cable to supply head assembly.
- (3) Remove two large hex head threaded caps from throttle control assembly side opposite control levers.
- (4) Remove spring from under each cap.
- (5) Remove each spool valve by threading a #10-24 screw into tapped hole in valve and pulling valve out.

b. Reassembly.

- (1) Before assembly, all parts should be thoroughly cleaned and inspected to determine their serviceability. Replace all parts that are worn or damaged.
- (2) Reassemble parts in reverse of the disassembly steps above.

**7-7. REBUILD OF SUPPLY HEAD ASSEMBLY.**

a. Disassembly. (See Figure 8-7.)

- (1) Disconnect three air hoses leading to the pendant throttle control assembly.
- (2) Remove hex head cap screw and washer holding wire rope thimble and strain cable for pendant throttle control assembly.
- (3) Remove two long hex head cap screws, with lockwashers, running from supply head to muffler assembly and remove muffler assembly.
  - (a) Remove two pan head screws and remove muffler cover.
  - (b) Remove muffling material and screen.
- (4) Remove two hex socket cap screws and lockwashers on side of supply head assembly and remove supply head assembly from air motor body.
- (5) To gain access to the valves, remove the retaining rings and screens at the ports and pull out the muffling material.
- (6) Remove the two pan head screws on the side of the supply head assembly to release the valves inside the assembly.
- (7) Pull valve sleeve, spring, and stem out of the supply head assembly. Valve parts may be reached by using needle nose pliers.

Early hoist models utilized a plastic valve and valve base. When rebuilding supply head, replace these with the new valve sleeve, spring, and stem.

b. Reassembly. (See Figure 8-7.)

- (1) Before assembly, all parts should be thoroughly cleaned and inspected to determine their serviceability. Replace all parts that are worn or damaged.
- (2) Install muffler screen diagonally in cavity with square end resting against back above circular contour and notched end straddling bottom rib near opening.
- (3) Install muffling material above screen and mount gasketed cover with screws.
- (4) Install valve springs and stems in sleeves and lubricate.
- (5) Slide sleeves into position in supply head (small, single hole on side of sleeves must align with retaining screws) and reinstall retaining screws.
- (6) Replace supply head gasket. Position gasket so that no portion of ports is covered.

#### 7-8. REBUILD OF AIR MOTOR.

a. General. For removal of supply head assembly and muffler assembly, see Paragraph 7-7.

b. Disassembly.

- (1) Remove four hex socket cap screws and then remove motor from hoist.
- (2) Remove three fillister head screws, end cap and gasket.
- (3) Remove six hex head bolts holding rear end plate to motor cylinder.
- (4) Hold the shaft in a soft jawed vise and using a puller, adapted to fit the three #10-32 bolt centers of the end cap, remove rear end plate and shim gasket. Do not try to pry the end plate from the motor.
- (5) Remove six hex socket cap screws from front end plate.
- (6) Remove motor body exposing the rotor assembly while leaving front end plate mounted on shaft. This relationship should be maintained to eliminate the necessity of adjusting the motor upon reassembly.
- (7) Remove vanes, springs, and pins.

NOTE: Motors requiring further disassembly should be sent to a recognized **CM** repair station for repairs.

c. Reassembly.

- (1) Before assembly, all parts should be thoroughly cleaned and inspected to determine their serviceability. Replace all worn or damaged parts.
- (2) Position assembly vertically with rotor facing upward. Insert push pins in rotor. Place shim gasket and motor body on end plate, using dowel pins for positioning. Insert vanes and springs into rotor. Take care that spring tab is positioned in slot of vane.
- (3) Install six hex socket head screws through front end plate.
- (4) Place shim gasket and rear end plate on body, using dowel pins for positioning. Press rear bearing onto rotor shaft by pressing on inner race. Bearing outer race should not be bottomed on rear end plate.
- (5) Install six hex head bolts through rear end plate.
- (6) Replace end cap and gasket and install three fillister screws.
- (7) Position motor in proper orientation on hoist and fasten with four hex socket head screws.

#### 7-9. REASSEMBLY OF HOIST FROM SUBASSEMBLIES.

a. General. The procedure to be followed to reassemble the hoist from subassemblies is in reverse order of the disassembly steps outlined in Paragraph 7-2. Listed below are special precautions which should be observed to assure proper assembly.

b. Assembly of Load Brake Thrust Washers. When reinstalling load brake assembly be certain thrust washers are properly installed at both ends of load brake shaft, as noted below.

- (1) A bronze thrust washer with a lug on one side belongs on pinion end of shaft and must be installed so that its lug engages the special slot located on spotface surrounding bearing bore inside gearcase cover. Use heavy grease to hold washer in proper position in cover during assembly.
- (2) A 5/8" I.D. steel thrust washer is to be installed on the brake flange end (end opposite pinion) of load brake assembly.

c. Assembly of Load Chain.

NOTE: Coil chain must be installed so welds on vertical links face away from the load sprocket.

- (1) Install load chain over sprocket *before load brake assembly is installed*. Insert anchor end of chain (end opposite lower block on single reeved models) into chain guide opening on far side of hoist (viewing frame from anchor screw side). Rotate sprocket gear by hand counter-clockwise as chain is fed into opening. When sufficient chain has been run into hoist to reach anchor position, plus a slack loop, install limit actuator on anchor end of load chain (see (2) below) and attach end of chain to frame with special fillister head screw. Be certain chain is not twisted.
- (2) When installing limit actuator on anchor end of load chain attach it on the ninth link from the end.
- (3) When installing limit actuator at lower block, attach to first link above block for single line hoists and third link above block (on chain that dead ends into block) on three line hoists. If single line hoist has a bumper, place it above the limit actuator.

d. Lubricate Hoist. Lubricate hoist as outlined in SECTION IV.

#### 7-10. TESTING HOIST.

- a. General. After completion of reassembly and before placing hoist in service, hoist should be tested to insure safe operation. To test: suspend hoist from an overhead supporting member of sufficient strength to carry rated load; connect to an air supply of the specified capacity and perform the following checks and adjustments.
- b. Check that load hook will travel in the correct direction when up and down levers are depressed. Make correction, if necessary, by interchanging the two supply hoses at the pendant station. Upper ends of each supply hose are made to "nest" one above the other. Down supply hose has a speed adjustment screw as part of the elbow fitting.
- c. Check Upper and Lower Limit Stop Operation. To determine if upper and lower limit stop functions properly, make the following checks.
  - (1) Depress "UP" lever and inch limit actuator (on single reeved models) or lower block up into limit stop to see that clutch will slip.
  - (2) Depress "DOWN" lever and inch limit actuator up into limit stop to see that clutch will slip.
- d. Check Hoist With Capacity Load. Attach rated capacity load (or load to be handled) to lower hook

and check hoist operation. If hoist does not lift rated load, refer to Paragraph 7-11.

- (1) Operate hoist to raise load. When control is released, hoist should stop and hold load at that level.
- (2) Operate hoist to lower load a short distance, then release control. Hoist should stop and hold load at that level.
- (3) If hoist does not stop or hold load refer to SECTION VI.

e. Adjust speed of lowering with load to be handled, as required, by positioning screw in elbow fitting of down supply hose.

#### 7-11. TEST PROCEDURE FOR CHECKING OPERATION OF OVERLOAD CLUTCH.

- a. General. The overload clutch must be tested using known weights. The following prerequisites (Paragraphs (1) through (4)) must be strictly observed in performing this test.
  - (1) A qualified person shall determine before testing, that all structures supporting the hoist are adequately strong to withstand the test load of 200 percent of rated hoist load, whether hoist is tested in installed position or moved to a designated test facility.
  - (2) Loads used for testing must be accurately known.
  - (3) Test shall be made only by a qualified operator thoroughly familiar with the hoist and the purpose of the test.
  - (4) Provide adequate and proper rigging to insure test loads are securely attached, properly balanced, and will lift level.
- b. Test Procedure. With the above prerequisites satisfied and hoist properly connected to air supply, proceed with the test as follows:
  - (1) Using a known load equal to rated load of hoist, operate hoist to lift load. Raise load high enough to be certain the entire load is freely suspended. **Clutch should not slip at rated load.** If hoist does not lift rated load, clutch requires adjustment. Refer to SECTION V, Paragraph 5-5.c.
  - (2) Increase load to 200 percent rated load and operate hoist to lift the load. **Clutch must slip,** causing the hoist to refuse to lift the load. If hoist lifts this overload, the overload clutch is out of adjustment and must be readjusted. Refer to SECTION V, Paragraph 5-5.c.

(3) If clutch slips as required in step (2) above, continue to run hoist (clutch slipping — hoist refusing to lift load) for no more than five (5) cycles of one (1) second each.

(4) Remove excess weight to return the load to rated hoist load. Lift rated load one final time to be certain that the clutch does not slip and that the hoist lifts the rated load.



**DO NOT LIFT MORE THAN RATED LOAD EXCEPT FOR TEST PURPOSES.**

**SECTION VIII — REPLACEMENT PARTS.**

This section contains complete replacement parts information for your new **CM AIRSTAR 6** Air Hoist. The parts are grouped and illustrated to permit easy identification. Each part in an illustration is keyed by reference number to a corresponding parts table. In the table will be found the BH or BAH part number, description and quantity required.

When ordering replacement parts it will be necessary that you include, with your order, the BH or BAH part number of parts required, plus, hoist catalog number and model number, which will be found on the hoist nameplate attached to hoist.

Complete inspection, maintenance and overhaul service is available for **CM AIRSTAR 6** Air Hoists at any recognized **CM** Repair Station. All are staffed by qualified factory-trained

service men; have authorized testing equipment; and stock a complete inventory of genuine **CM** replacement parts.

NOTICE: Information herein is subject to change without notice. Parts must be ordered from a recognized **CM** Repair Station or from a **CM** Hoist Distributor.

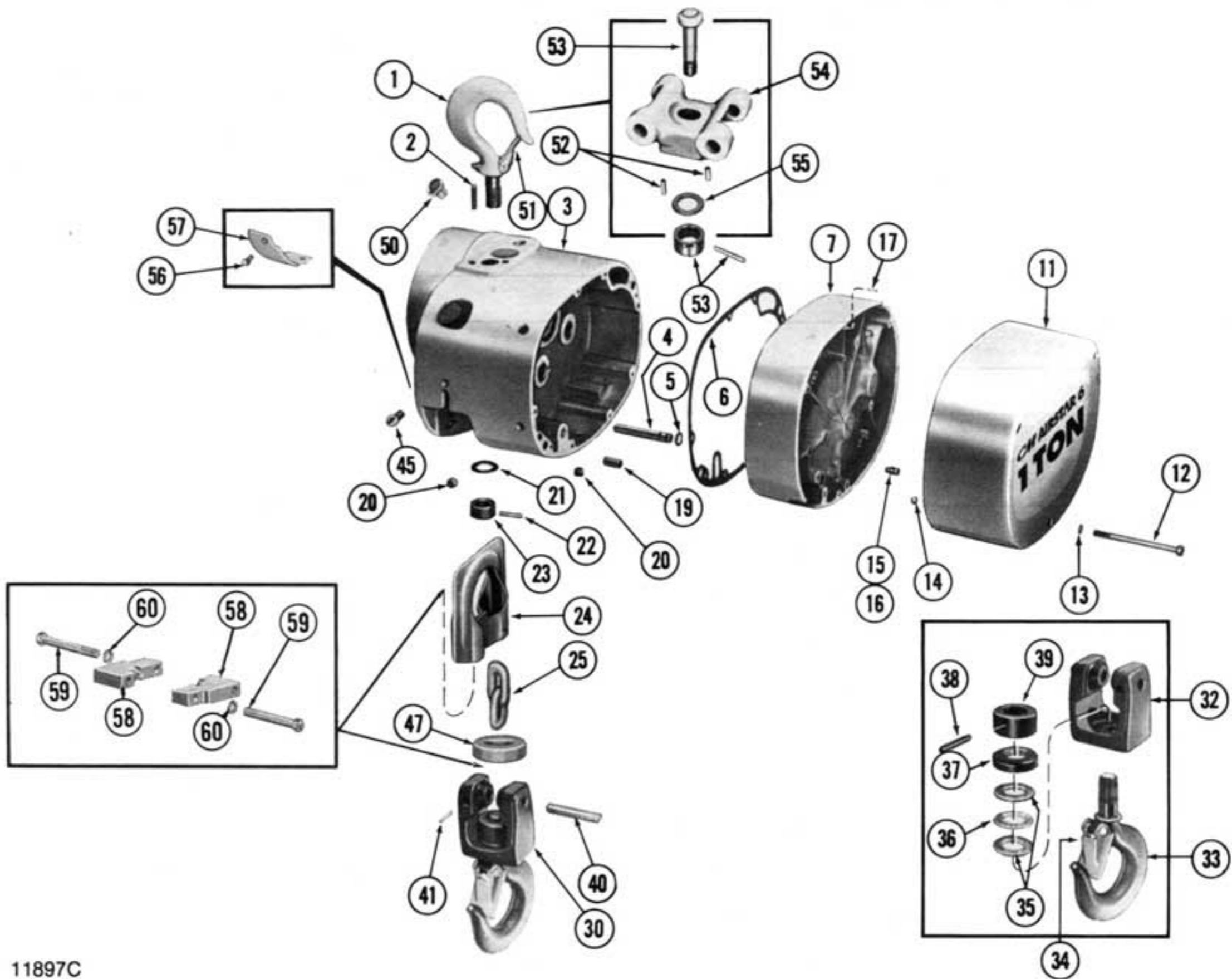
**The numbers assigned to the parts of our various assemblies in our parts list are not the part numbers used in manufacturing the part. They are identification numbers, that when given with the model number, permit us to identify, select or manufacture, and ship the correct part needed.**

**INDEX OF EXPLODED VIEW PARTS ILLUSTRATIONS**

Figure No.	Title	Page
8-1	Frame and External Parts . . . . .	26
8-2	Upper Suspension, Load Chain and Lower Block Parts (2 Ton Capacity Hoists) . . . . .	28
8-3	Upper Suspension, Load Chain and Lower Block Parts (3 Ton Capacity Hoists) . . . . .	30
8-4	Gearing and Load Brake Parts . . . . .	32
8-5	2 and 3 Ton Lower Block Assembly . . . . .	33
8-6	Limit Stop and Parts . . . . .	34
8-7	Supply Head and Muffler Parts . . . . .	35
8-8	Air Motor Parts . . . . .	36
8-9	Pendant Throttle Control Parts . . . . .	37
8-10	Special Parts Table — Corrosion Resistant and Spark Resistant Models . . . . .	38



To enable us to expedite your parts order, always give Model and Catalog Numbers of Hoist. (See nameplate.)



11897C

Figure 8-1. FRAME AND EXTERNAL PARTS.  
Standard Hoists

(Except 2 & 3 Ton Model Upper Suspension, Load Chain & Lower Block)

Ref. No.	Part Number	Description	Qty. Req'd.
1	BH-1001	Hook Assembly — Upper with latch (Includes Items 21, 22, 23 & 51)	1*
2	BH-1002	Pin — Stop, upper hook	1
3	BH-1004	Frame Assembly (Includes 2 bushings, 2 needle bearings, 1 oil seal, 1 oil filler, 2 pipe plugs, and 2 dowel pins.)	1
4	BH-1005	Pin — Support, chain guide	2
5	BH-1006	Gasket — "O" Ring	4
6	BH-1007	Gasket — Gearcase	1
7	BH-1009	Cover Assembly — Gearcase (Includes 2 needle bearings and 2 grooved pins).	1
11		Cover — Counterweighted	
	BH-1190	(1 ton)	1
	BH-1191	(2 ton)	1
	BH-1192	(3 ton)	1
12	BH-1020	Screw — Fillister Head Machine	3
13	BH-1021	Lockwasher — Spring Type	3
14	BH-1022	Ring — Retaining	3

(Continued on following page.)

Figure 8-1. FRAME AND EXTERNAL PARTS. — Continued

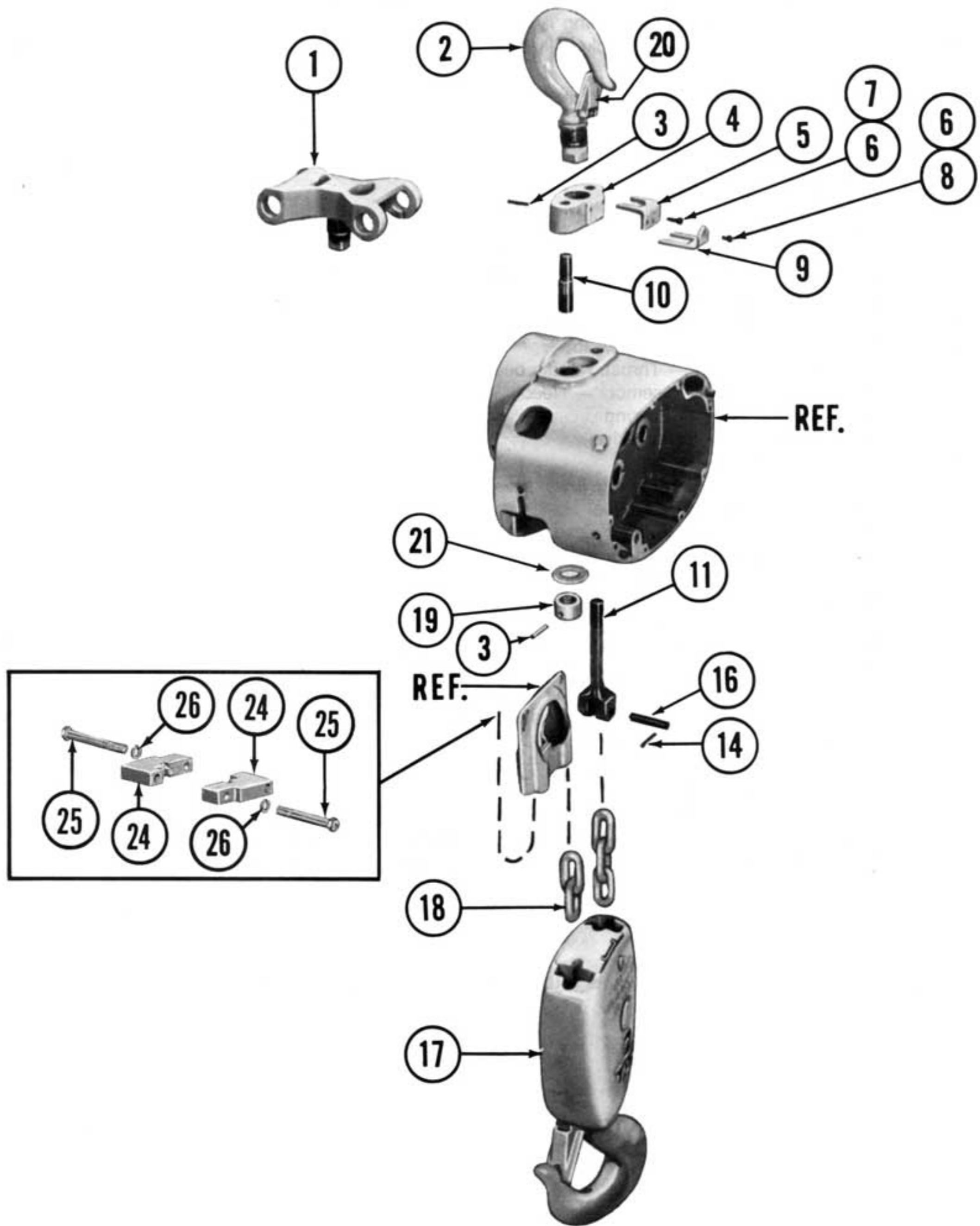
Ref. No.	Part Number	Description	Qty. Req'd.
15	BH-1023	Lockwasher — Spring Type	8
16	BH-1024	Screw — Hex Socket Head	8
17	BH-1025	Pin — Grooved	2
18	BH-1026	Grommet — Not Shown	1
19	BH-1027	Pin — Dowel, gearcase cover	2
20	BH-1028	Plug — Pipe, hex socket, 1/8"	2
21	BH-1029	Washer — Thrust, upper hook	1*
22	BH-1030	Pin — Drive	1*
23	**	Nut — Upper Hook	1*
24	BH-1032	Guide Assembly — Coil Load Chain	1
25	BH-1034***	Chain Assembly — Coil, load	1*
30	BH-1036	Block Assembly — Lower (Includes items 32 through 39)	1*
32	BH-1175	Body — Lower Block	1*
33	BH-1177	Hook, Nut and Latch Assembly — Lower Block	1*
34	BH-1183	Latch Kit — Hook, lower	1*
35	BH-1178	Washer — Thrust, Needle bearing	2*
36	BH-1179	Bearing Assembly — Needle, thrust	1*
37	BH-1180	Shield — Bearing	1*
38	BH-1181	Pin — Spring drive	1*
39	**	Nut — Hook	1*
40	BH-1038	Pin — Connecting, lower block	1*
41	BH-1045	Pin — Spring drive	1*
45	BH-1052	Screw — Fillister Head, Self Locking	1
47	BH-1198	Bumper — Lower Block	1
50	BH-1058	Filler Assembly — Oil	1
51	BH-1183	Latch Kit — Hook (upper)	1*
52	BH-1089	Pin — Spring drive	2
53	BH-1088	Stud — Suspension, nut and pin (Includes item 55)	1*
54	BH-1087	Bracket — Suspension	1*
55	BH-1092	Washer	1*
56	BH-1055	Screw & Integral Lockwasher — Round Head	2
57	BH-1056	Cover — Brake Opening	1
58	BH-1195	Limit Actuator Half	4
59	BH-1196	Bolt — Hex Head	4
60	BH-1197	Lockwasher — Spring Type	4

\* Refer to Figure 8-2 for 2 Ton Model Upper Suspension, Load Chain and Lower Block Parts.  
Refer to Figure 8-3 for 3 Ton Model Upper Suspension, Load Chain and Lower Block Parts.

\*\* Hook and suspension bolt nuts are not serviced separately. They are available only with hook or bolt as assemblies.

\*\*\* Load Chain Assemblies listed are for hoists with standard 10 ft. lifts. Bulk chain is available in 1 ft. increments, part number BH-1069.

To enable us to expedite your parts order, always give Model and Catalog Numbers of Hoist. (See nameplate.)

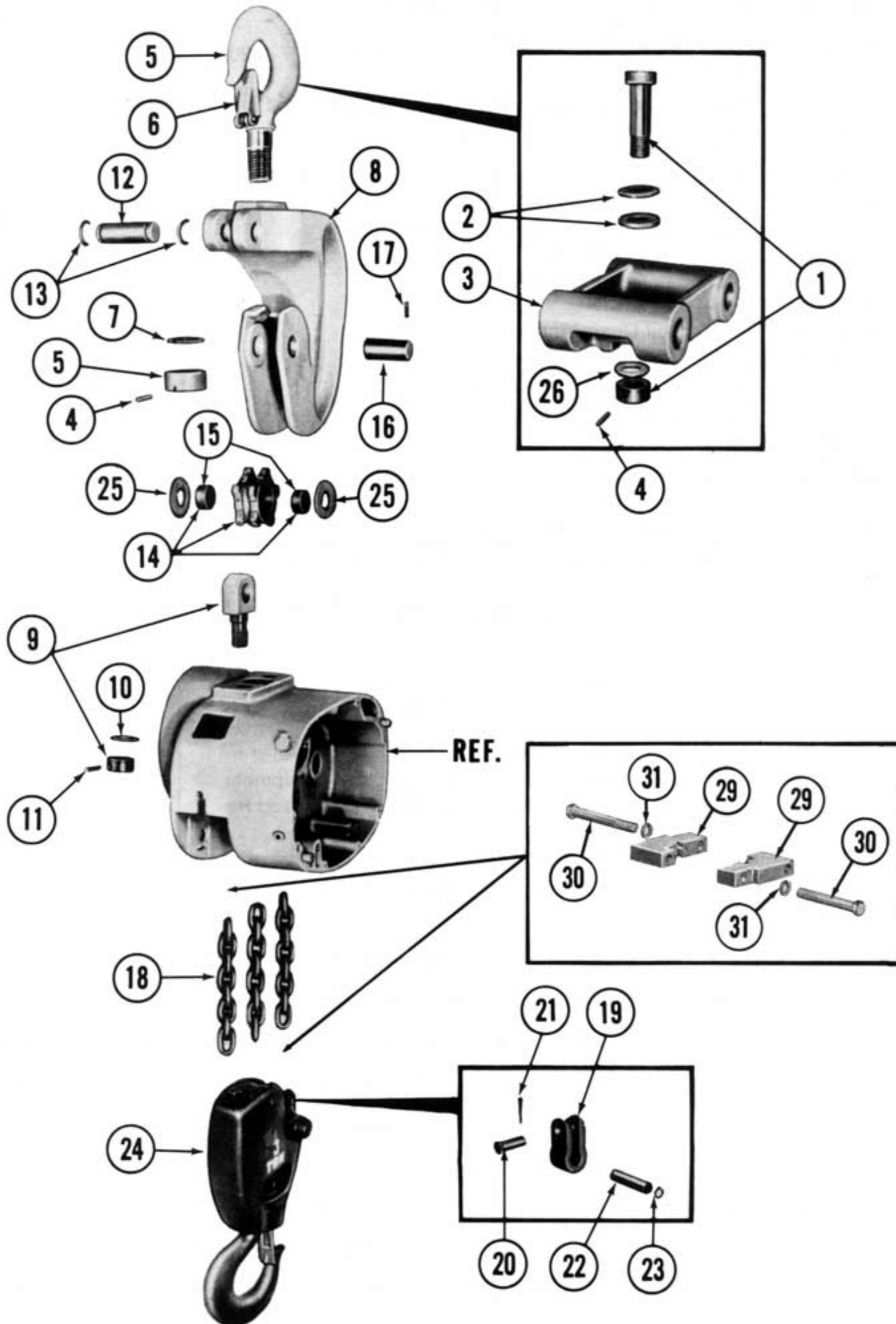


10251D

Figure 8-2. UPPER SUSPENSION,  
LOAD CHAIN AND LOWER BLOCK PARTS.  
(2 Ton Capacity Hoists)



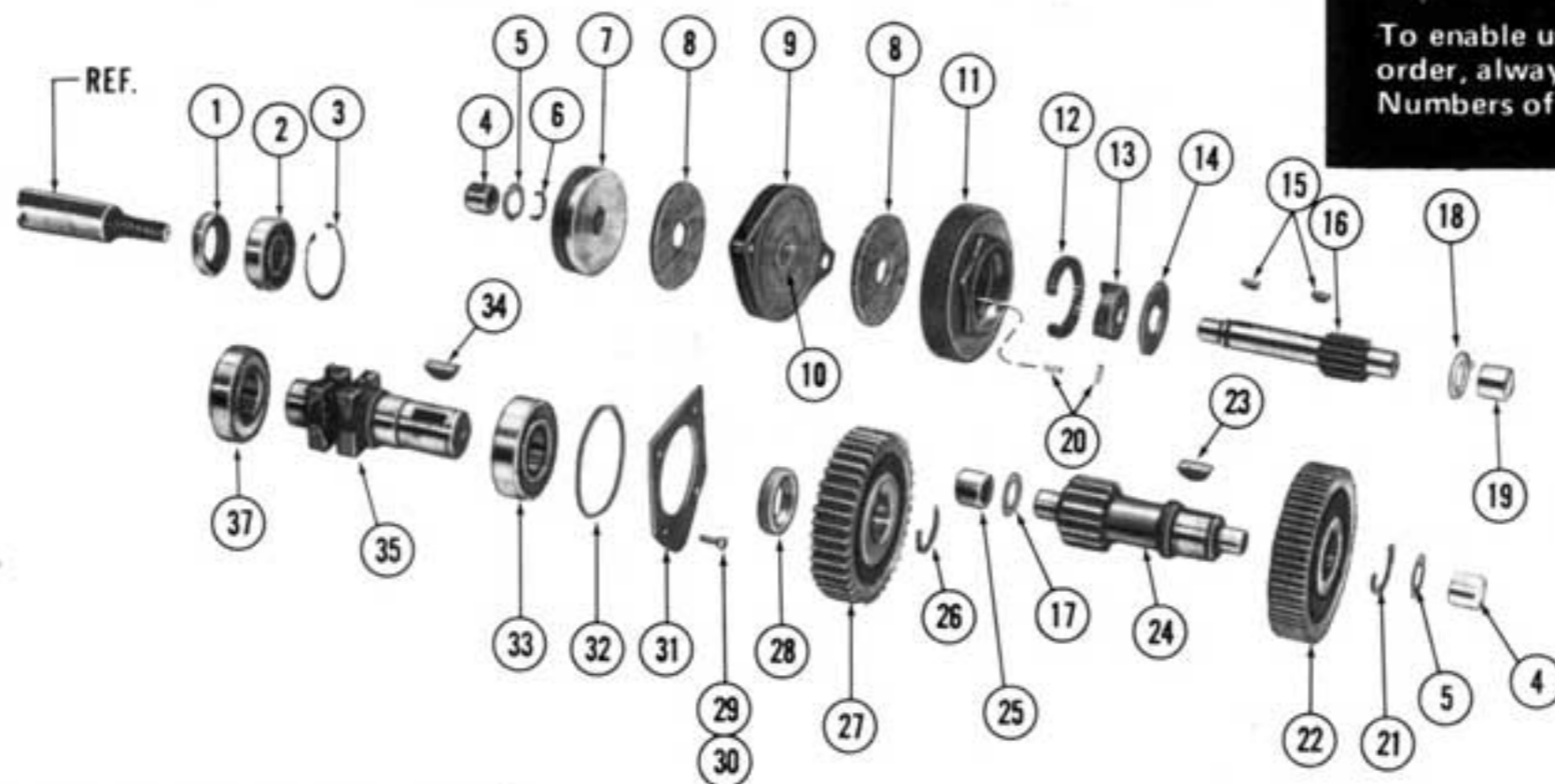
To enable us to expedite your parts order, always give Model and Catalog Numbers of Hoist. (See nameplate.)



11757D

Figure 8-3. UPPER SUSPENSION,  
LOAD CHAIN AND LOWER BLOCK PARTS.  
(3 Ton Capacity Hoists)





11899A

Figure 8-4. GEARING AND LOAD BRAKE PARTS.

Ref. No.	Part Number	Description	Qty. Req'd.
1	BH-1201	Seal — Oil, Motor Shaft	1
2	BH-1202	Bearing Assembly — Ball, Motor Shaft	1
3	BH-1203	Ring — Retaining, Internal	1
4	BH-1220	Bearing Assembly — Needle, 5/8" I.D.	2
5	BH-1221	Washer — Thrust, 5/8" I.D.	2
6	BH-1222	Ring — Snap, Brake Flange	1
7	BH-1219	Flange — Load Brake	1
8	BH-1218	Disc — Friction, Load Brake	2
9	BH-1223	Pawl & Ratchet Assembly — Load Brake (Includes item 10)	1
10	BH-1238	Bushing — Ratchet	1
11		Gear & Clutch Assembly — Load Brake	1
	BH-1242*	Standard Speed Hoist	
	BAH-1245*	Reduced Speed Hoist	
12	BH-1212	Spring — Load Brake (Plain — no color code)	1
13	BH-1216	Cam — Load Brake	1
14	BH-1239	Retainer — Spring, Load Brake	1
15	BH-1210	Key — Woodruff	2
16		Shaft & Integral Pinion — Load Brake	1
	BH-1207	14 Teeth	
	BH-1208	23 Teeth	
17	BH-1206	Washer — Thrust, 11/16" I.D.	1
18	BH-1205	Bearing — Thrust, Bronze	1
19	BH-1204	Bearing Assembly — Needle, 11/16" I.D.	1
20	BH-1214	Pin — Grooved	2
21	BH-1224	Ring — Snap, Intermediate Gear	1
22		Gear — Intermediate	1
	BH-1225	74 Teeth	
	BH-1226	65 Teeth	
23	BH-1236	Key — Woodruff	1
24	BH-1304	Shaft & Integral Pinion — Intermediate	1
25	BH-1237	Bearing Assembly — Needle, 11/16" I.D. (36 roller, greased retained)	1
26	BH-1305	Ring — Snap, Sprocket Gear	1
27	BH-1306	Gear — Sprocket	1
28**	BH-1307	Spacer — Sprocket Gear	1
29	BH-1228	Screw — Fillister Head Machine	4
30	BH-1229	Lockwasher — Spring Type	4
31	BH-1230	Plate — Retainer, Sprocket Bearing	1
32**	BH-1231	Gasket — Ring, Sprocket Bearing	1
33	BH-1232	Bearing Assembly — Ball, Sprocket	1
34	BH-1308	Key — Woodruff, Sprocket	1
35**	BH-1309	Sprocket — Coil Chain	1
37	BH-1235	Bearing Assembly — Ball, Sprocket	1
38	BH-1315	O-Ring	1
39	BH-1316	Seal Disk	1
40	BH-1317	Seal — Oil	1

\*This gear and clutch assembly should not be field disassembled. Replace assembly only as clutch pressure is preset at factory based on hoist capacity.

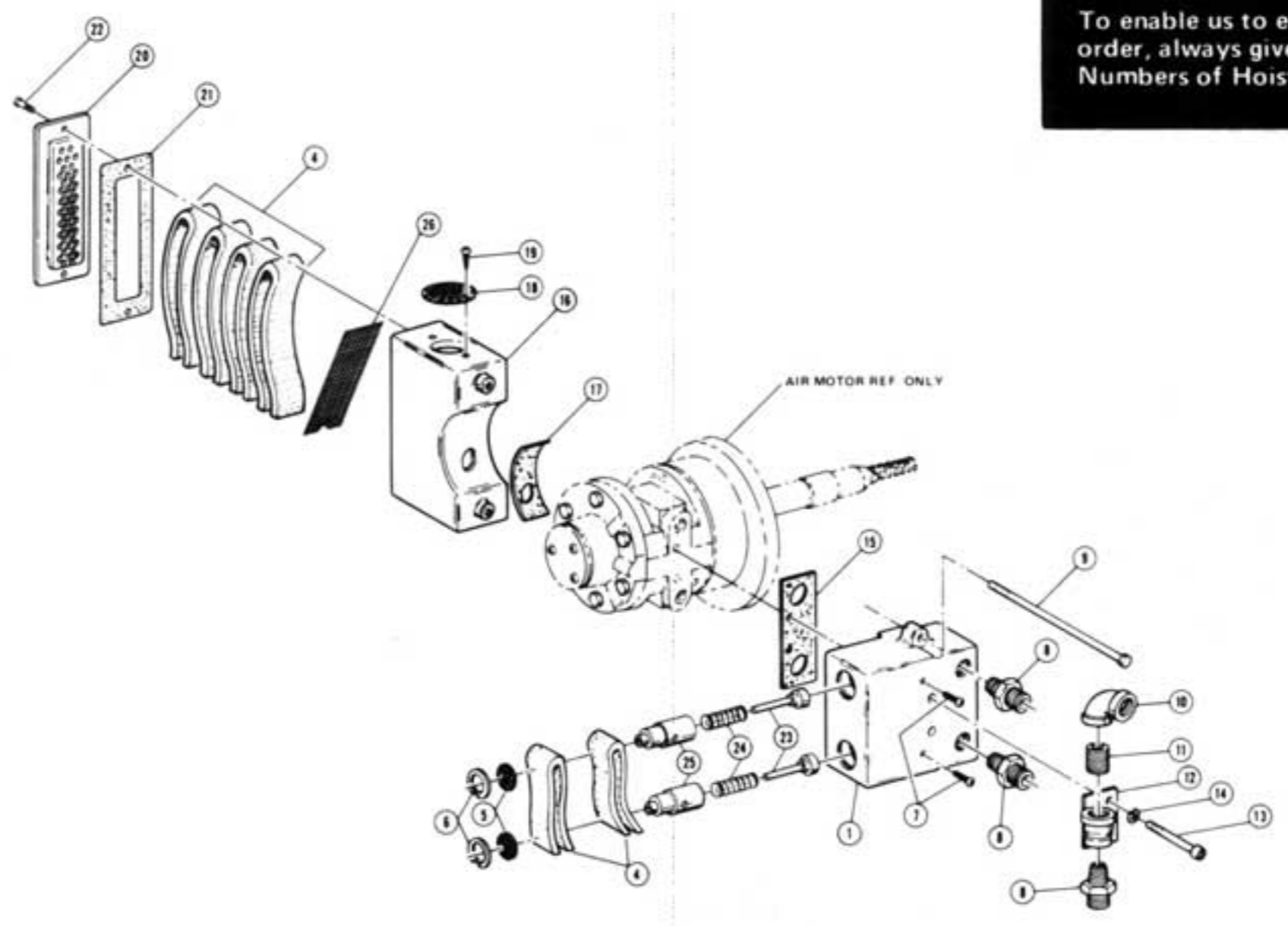
\*\*On later model hoists; Ref. No. 28 is not used, Ref. No. 32 is replaced by Ref. Nos. 38, 39 and 40 and BH-1309 is replaced by BH-1312.







To enable us to expedite your parts order, always give Model and Catalog Numbers of Hoist. (See nameplate.)



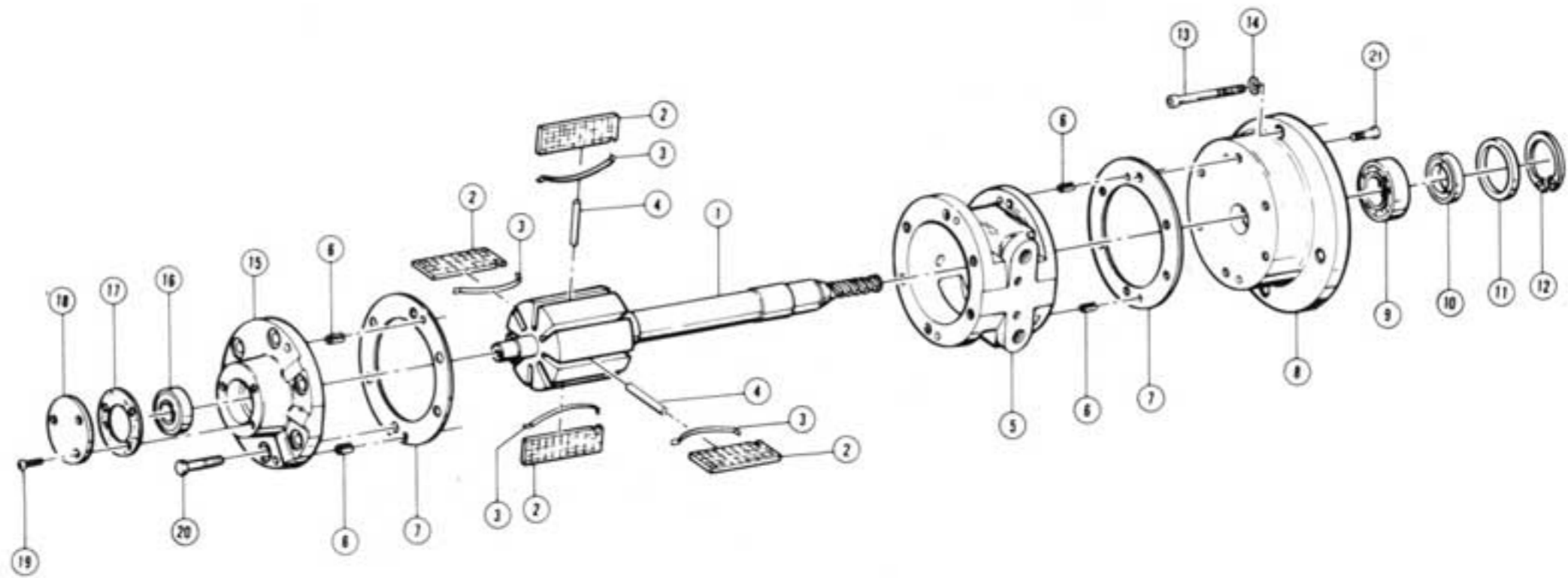
12441A

Figure 8-7. SUPPLY HEAD AND MUFFLER PARTS.

Ref. No.	Part Number	Description	Qty. Req'd.
1	BAH-5100	Supply Head	1
2*	BAH-5101	Valve Support	2
3*	BAH-5102	Valve Guide Assembly	2
4	BAH-5103	Muffling Material	6
5	BAH-5104	Screen — Exhaust Valve	2
6	BAH-5105	Ring — Internal Retaining	2
7	BAH-5106	Screw — Self Tapping	2
8	BAH-5107	Adaptor Fitting	3
9	BAH-5108	Cap Screw — Hex Head	2
10	BAH-5109	Elbow — Reducing	1
11	BAH-5110	Nipple — Close Pipe	1
12	BAH-5111	Coupling Assembly	1
13	BAH-5112	Cap Screw — Hex Socket	2
14	BAH-5113	Lockwasher — Spring Type	2
15	BAH-5114	Gasket — Supply Head	1
16	BAH-5115	Muffler Body	1
17	BAH-5116	Gasket — Muffler	1
18	BAH-5117	Screen — Muffler	1
19	BAH-5118	Screw — Drive	2
20	BAH-5119	Muffler Cover	1
21	BAH-5120	Gasket — Muffler Cover	1
22	BAH-5121	Screw — Pan Head	2
23*	BAH-5123	Stem — Valve	2
24*	BAH-5124	Spring — Valve	2
25*	BAH-5125	Sleeve — Valve	2
26	BAH-5126	Screen — Muffler	1

\* Reference Numbers 23, 24, and 25 replace Reference Numbers 2 and 3 used on earlier model hoists.

To enable us to expedite your parts order, always give Model and Catalog Numbers of Hoist. (See nameplate.)

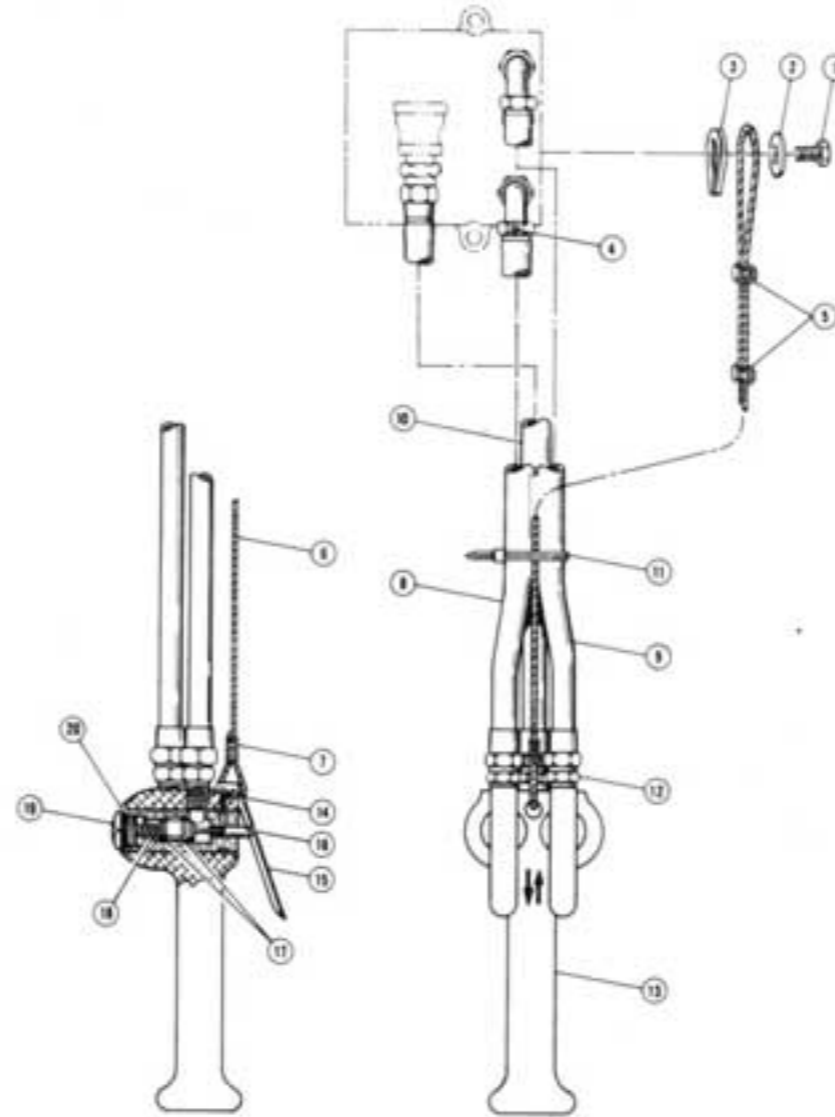


12442A

Figure 8-8. AIR MOTOR PARTS.

Ref. No.	Part Number	Description	Qty. Req'd.
	BAH-5200	Air Motor Assembly	1
1	BAH-5201	Rotor and Shaft Assembly	1
2	BAH-5202	Vane	8
3	BAH-5203	Spring — Vane	8
4	BAH-5204	Push Pin	4
5	BAH-5205	Body — Air Motor	1
6	BAH-5206	Pin — Dowel	4
7	BAH-5207	Gasket — Body	2
8	BAH-5208	End Plate — Drive End	1
9	BAH-5209	Bearing — Drive End	1
10	BAH-5210	Shaft Seal	1
11	BAH-5211	Seal Adaptor	1
12	BAH-5212	Ring — Retaining	1
13	BAH-5213	Cap Screw — Hex Socket	4
14	BAH-5214	Lockwasher — Spring Type	4
15	BAH-5215	End Plate — Dead End	1
16	BAH-5216	Bearing — Dead End	1
17	BAH-5217	Gasket — End Cap	1
18	BAH-5218	End Cap — Dead End	1
	BAH-5219	End Plate Puller Tool (Not Shown)	—
19	BAH-5220	Screw	3
20	BAH-5221	Screw	6
21	BAH-5222	Screw	6

To enable us to expedite your parts order, always give Model and Catalog Numbers of Hoist. (See nameplate.)



12443

Figure 8-9. PENDANT THROTTLE CONTROL PARTS.

Ref. No.	Part Number	Description	Qty. Req'd.
1	BAH-5300	Cap Screw — Hex Head	1
2	BAH-5301	Washer	1
3	BAH-5302	Thimble — Wire Rope	1
4	BAH-5303	Set Screw	1
5	BAH-5304	Clip — Wire Rope	2
6	BAH-5305	Cable — Strain Relief (Specify Length Required) 7 ft. for 10 ft. Lift 12 ft. for 15 ft. Lift 17 ft. for 20 ft. Lift	1 1 1
7	BAH-5306	Sleeve — Pressed	1
8	BAH-5307	Hose Assembly — Down For 10 ft. Lift	1
	BAH-5308	For 15 ft. Lift	1
	BAH-5309	For 20 ft. Lift	1
9	BAH-5310	Hose Assembly — Up For 10 ft. Lift	1
	BAH-5311	For 15 ft. Lift	1
	BAH-5312	For 20 ft. Lift	1
10	BAH-5313	Hose Assembly — Supply For 10 ft. Lift	1
	BAH-5314	For 15 ft. Lift	1
	BAH-5315	For 20 ft. Lift	1
11	BAH-5316	Tie — Cable	2
12	BAH-5317	Adaptor Fitting	3
13	BAH-5318	Pendant Throttle Handle Assembly — Complete (Includes Ref. Nos. 14 through 20 plus handle)	1
14	BAH-5319	Pin — Throttle Lever	1
15	BAH-5320	Throttle Lever	2
16	BAH-5321	Valve — Throttle	2
17	BAH-5322	Ring — Throttle Valve Seal	4
18	BAH-5323	Spring — Throttle Valve	2
19	BAH-5324	Cap — Throttle Valve	2
20	BAH-5325	Seal — Throttle Valve Cap	2

Figure 8-10. SPECIAL PARTS TABLE — CORROSION RESISTANT AND SPARK RESISTANT MODELS.

Fig. No.	Ref. No.	Part Number	Description	Corrosion Resistant			Spark Resistant			
				1 Ton	2 Ton	3 Ton	½ Ton	1 Ton	2 Ton	
8-1	1	BAH-5400	Hook Assembly-Upper with Latch	—	—	—	1	—	—	
	11	BAH-5401	Cover — Counterweighted	—	—	—	1	—	—	
		BAH-5402	Cover — Counterweighted	—	—	—	—	1	—	
		BAH-5403	Cover — Counterweighted	—	—	—	—	—	1	
	24	BAH-5430	Guide Assem. — Coil Load Chain	—	—	—	1	1	1	
	25	BAH-5404	Chain Assembly — Coil, Load	1	—	—	—	—	—	
		BAH-5405	Chain Assembly — Coil, Load	—	—	—	1	—	—	
	30	BAH-5406	Block Assembly — Lower	—	—	—	1	—	—	
	32	BAH-5407	Body — Lower Block	—	—	—	1	—	—	
	33	BAH-5408	Hook, Nut and Latch Assembly — Lower Block	—	—	—	1	—	—	
	34	BAH-5409	Latch Kit — Hook, Lower	—	—	—	1	—	—	
	51	BAH-5410	Latch Kit — Hook, Upper	—	—	—	1	—	—	
	8-2	2	BAH-5411	Hook Assembly-Upper with Latch	—	—	—	—	1	—
		18	BAH-5412	Chain Assembly — Coil, Load	—	1	—	—	—	—
		BAH-5413	Chain Assembly — Coil, Load	—	—	—	—	1	—	
20		BAH-5414	Latch Kit — Hook, Upper	—	—	—	—	1	—	
8-3	5	BAH-5415	Hook Assembly-Upper with Latch	—	—	—	—	—	1	
	18	BAH-5417	Chain Assembly — Coil, Load	—	—	1	—	—	—	
		BAH-5418	Chain Assembly — Coil, Load	—	—	—	—	—	1	
8-4	11	BAH-5429*	Gear & Clutch Assembly — Load Brake	—	—	—	1	1	1	
	35	BAH-5419	Sprocket — Coil Chain	—	—	—	1	1	1	
8-5	—	BAH-5420	Block Assembly-Lower Complete	—	—	—	—	1	—	
	—	BAH-5421	Block Assembly-Lower Complete	—	—	—	—	—	1	
	10	BAH-5422	Body Assembly — Lower Block	—	—	—	—	—	1	
	11	BAH-5423	Hook/Latch & Nut	—	—	—	—	—	1	
	12	BAH-5424	Latch Kit — Hook, Lower	—	—	—	—	1	—	
	16	BAH-5426	Hook/Latch & Nut	—	—	—	—	1	—	
21	BAH-5427	Body Assembly — Lower Block	—	—	—	—	1	—		
8-6	1	BAH-5428	Limit Stop	—	—	—	1	1	1	

\* This gear and clutch assembly should not be field disassembled. Replace assembly only as clutch pressure is preset at factory based on hoist capacity.

## Recommended Spare Parts for Your CM AIRSTAR 6 Air Hoist

Certain parts of your hoist will, in time, require replacement under normal wear conditions. It is suggested that the following parts be purchased for your hoist as spares for future use.

One Set of Brake Discs  
One Set of Gaskets  
One Set of Oil Seals and "O" Ring  
One Set of Motor Vanes  
One Set of Motor springs  
One Set of Motor Pins

NOTE: When ordering parts always furnish Model and Catalog Number of Hoist and lift of hoist on which the parts are to be used.

Parts for your hoist are available from your local recognized **CM** repair station. For the location of your nearest repair station, write:

### IN USA

COLUMBUS McKINNON CORPORATION  
INDUSTRIAL PRODUCTS DIVISION  
140 JOHN JAMES AUDUBON PARKWAY  
AMHERST, NY 14228-1197

or phone:  
or fax:

**800-888-0985**  
**716-689-5644**

### IN CANADA

COLUMBUS McKINNON LTD.  
P.O. BOX 1106  
10 BROOK ROAD, NORTH  
COBOURG, ONTARIO K9A 4W5

**905-372-0153**  
**905-372-3078**

# WARRANTY

## WARRANTY AND LIMITATION OF LIABILITY

A. Seller warrants that its products and parts, when shipped, and its work (including installation, construction and start-up), when performed, will meet applicable specifications, will be of good quality and will be free from defects in material and workmanship. All claims for defective products or parts under this warranty must be made in writing immediately upon discovery and, in any event, within one (1) year from shipment of the applicable item unless Seller specifically assumes installation, construction or start-up responsibility. All claims for defective products or parts when Seller specifically assumes installation, construction or start-up responsibility, and all claims for defective work must be made in writing immediately upon discovery and, in any event, within one (1) year from completion of the applicable work by Seller, provided; however, all claims for defective products and parts must be made in writing no later than eighteen (18) months after shipment. Defective items must be held for Seller's inspection and returned to the original f.o.b. point upon request. THE FOREGOING IS EXPRESSLY IN LIEU OF ALL OTHER WARRANTIES WHATSOEVER, EXPRESS, IMPLIED AND STATUTORY, INCLUDING, WITHOUT LIMITATION, THE IMPLIED WARRANTIES OF MERCHANTABILITY AND FITNESS.

B. Upon Buyer's submission of a claim as provided above and its substantiation, Seller shall at its option either (i) repair or replace its product, part or work at either the original f.o.b. point of delivery or at Seller's authorized service station nearest Buyer or (ii) refund an equitable portion of the purchase price.

C. This warranty is contingent upon Buyer's proper maintenance and care of Seller's products, and does not extend to fair wear and tear. Seller reserves the right to void warranty in event of Buyer's use of inappropriate materials in the course of repair or maintenance, or if Seller's products have been dismantled prior to submission to Seller for warranty inspection.

D. The foregoing is Seller's only obligation and Buyer's exclusive remedy for breach of warranty, and is Buyer's exclusive remedy hereunder by way of breach of contract, tort, strict liability or otherwise. In no event shall Buyer be entitled to or Seller liable for incidental or consequential damages. Any action for breach of this agreement must be commenced within one (1) year after the cause of action has accrued.

