

OPERATING, MAINTENANCE & PARTS MANUAL

MANUAL DE FUNCIONAMIENTO, MANTENIMIENTO Y PIEZAS

MANUEL D'ENTRETIEN, D'OPÉRATION ET DE PIÈCES

HAND OPERATED LEVER HOIST

POLIPASTO MANUAL DE PALANCA

PALAN MANUEL À LEVIER

CM[®]

SERIES 653-A

LEVER HOIST

Before installing hoist, fill in the information below.

Antes de instalar el polipasto, rellene los datos siguientes.

Enregistrez les informations suivantes avant de faire l'installation.

Rated Load / Carga Nominal / Charge nominale _____

Serial No. / N° de Serie / No. de Ser. _____

Purchase Date / Fecha de Compra / Date d'achat _____

CAPACITIES:

**3/4, 1, 1½, 2, 3 and 6 TON
(750, 1000, 1500, 2000,
3000 and 6000 kg.)**

Follow all instructions and warnings for inspecting, maintaining and operating this hoist.

The use of any hoist presents some risk of personal injury or property damage. That risk is greatly increased if proper instructions and warnings are not followed. Before using this hoist, each operator should become thoroughly familiar with all warnings, instructions and recommendations in this manual. **Retain this manual for future reference and use.**

Forward this manual to operator.

Failure to operate equipment as directed in manual may cause injury.

CAPACIDADES DE CARGA:

**3/4, 1, 1½, 2, 3 y 6 toneladas
(750, 1000, 1500, 2000, 3000 y
6000 kg.)**

Siga todas las instrucciones y advertencias para inspeccionar, mantener y operar este polipasto.

El uso de cualquier polipasto presenta algunos riesgos de daños a las personas o a las cosas. Este riesgo se ve incrementado si no se siguen correctamente las instrucciones y advertencias. Antes de usar el polipasto el operario debería estar familiarizado con todas las advertencias, instrucciones y recomendaciones de este manual. **Guarde este manual para futuras consultas.**

Entregue este manual al operario. Si el equipo no se maneja tal y como se recomienda en el presente manual, es posible que se produzcan situaciones de peligro que pueden resultar en daños personales.



CHARGES NOMINALES:

**3/4, 1, 1½, 2, 3 et 6 TONNES
(750, 1000, 1500, 2000, 3000 et
6000 kg.)**

Veillez vous conformer à toutes les instructions et avertissements d'inspection, d'entretien et d'opération de ce palan.

L'utilisation de tout appareil de levage comporte des risques de blessures ou de dégâts matériels. Ces risques sont de beaucoup accrus si les instructions et avertissements ne sont pas suivis. Tous les opérateurs devraient se familiariser complètement avec toutes les recommandations instructions et avertissements de ce manuel avant d'utiliser ce palan. **Conservez ce manuel pour utilisation et référence future.**

Remette ce manuel à l'opérateur.

L'utilisation de cet équipement contrairement aux directives de ce manuel peut causer des blessures.

WARRANTY

LIMITATION OF WARRANTIES, REMEDIES AND DAMAGES

ENGLISH

INDEMNIFICATION AND SAFE OPERATION

Buyer shall comply with and require its employees to comply with directions set forth in instructions and manuals furnished by Seller and shall use and require its employees to follow such instructions and manuals and to use reasonable care in the use and maintenance of the goods and any replacement parts. Buyer shall not remove or permit anyone to remove any warning or instruction signs on the goods or replacement parts. In the event of personal injury or damage to property or business arising from the use of the goods or replacement parts, Buyer shall within 48 hours thereafter give Seller written notice of such injury or damage. Buyer shall cooperate with Seller in investigating any such injury or damage and in the defense of any claims arising therefrom.

If Buyer fails to comply with this section or if any injury or damage is caused, in whole or in part, by Buyer's failure to comply with applicable federal or state laws, rules or regulations safety requirements, Buyer shall indemnify and hold Seller harmless against any claims, loss or expense for injury or damage arising from the use of the goods and/or replacement parts.

CMCO Warranty (HOISTS)

A. Columbus McKinnon Corporation ("Seller") warrants to the original end user ("Buyer") that, for a period of one (1) year from the date of Seller's delivery of the goods (collectively, the "Goods") to the carrier, the Goods will be free from defects in workmanship and materials. (b) for a period of three (3) years from the date of Seller's delivery of the Goods to the carrier, the brake discs on the Goods will be free from defects in workmanship and materials; and (c) for the life of the Goods, the mechanical components including, without limitation, the sidewinder hoist lever, of the Goods (other than the brake discs on the Goods) will be free from defects in workmanship and materials. . In addition, Seller warrants to Buyer that, for a period of one (1) year from the date of their delivery by Seller to the carrier, any aftermarket or replacement parts, accessories or components purchased by Buyer with respect to any Goods (collectively, "Replacement Parts") will be free from defects in workmanship and materials.

B. IN THE EVENT OF ANY BREACH OF ANY SUCH WARRANTY, SELLER'S SOLE OBLIGATION SHALL BE EXCLUSIVELY LIMITED TO, AT THE OPTION OF SELLER, REPAIR OR REPLACEMENT, F.O.B. SELLER'S POINT OF SHIPMENT, OF ANY GOODS OR REPLACEMENT PARTS THAT SELLER DETERMINES TO HAVE BEEN DEFECTIVE OR, IF SELLER DETERMINES THAT SUCH REPAIR OR REPLACEMENT IS NOT FEASIBLE, TO A REFUND OF THE PURCHASE PRICE UPON RETURN OF THE GOODS OR REPLACEMENT PARTS TO SELLER. NO CLAIM AGAINST SELLER FOR ANY BREACH OF (i) SUCH WARRANTY WITH RESPECT TO THE ELECTRICAL COMPONENTS OF ANY GOOD OR REPLACEMENT PARTS SHALL BE VALID OR ENFORCEABLE UNLESS BUYER'S WRITTEN NOTICE THEREOF IS RECEIVED BY SELLER WITHIN ONE (1) YEAR FROM THE DATE OF SELLER'S DELIVERY TO THE CARRIER, (ii) SUCH WARRANTY WITH RESPECT TO THE BRAKE DISCS OF ANY GOOD SHALL BE VALID OR ENFORCEABLE UNLESS BUYER'S WRITTEN NOTICE THEREOF IS RECEIVED BY SELLER WITHIN THREE (3) YEARS FROM THE DATE OF SELLER'S DELIVERY TO THE CARRIER AND (iii) SUCH WARRANTY WITH RESPECT TO THE MECHANICAL COMPONENTS, INCLUDING, WITHOUT LIMITATION, THE SIDEWINDER HOIST LEVER, OF ANY GOOD (OTHER THAN THE BRAKE DISCS ON ANY GOOD) SHALL BE VALID OR ENFORCEABLE UNLESS BUYER'S WRITTEN NOTICE THEREOF IS RECEIVED BY SELLER WITHIN ONE (1) YEAR FROM THE DATE ANY ALLEGED CLAIM ACCRUES. EXCEPT FOR THE WARRANTIES SET FORTH ABOVE, SELLER MAKES NO OTHER WARRANTIES WITH RESPECT TO THE GOODS OR ANY REPLACEMENT PARTS, WHETHER EXPRESSED OR IMPLIED, INCLUDING ANY WARRANTIES OF MERCHANTABILITY, FITNESS FOR A PARTICULAR PURPOSE, QUALITY AND/OR THOSE ARISING BY STATUTE OR OTHERWISE BY LAW OR FROM ANY COURSE OF DEALING OR USE OF TRADE, ALL OF WHICH ARE HEREBY EXPRESSLY DISCLAIMED.

C. IN NO EVENT SHALL SELLER BE LIABLE TO BUYER OR ANY THIRD PARTY WITH RESPECT TO ANY GOOD OR REPLACEMENT PART, WHETHER IN CONTRACT, TORT OR OTHER THEORY OF LAW, FOR LOSS OF PROFITS OR LOSS OF USE, OR FOR ANY INCIDENTAL, CONSEQUENTIAL, SPECIAL, DIRECT OR INDIRECT DAMAGES, HOWSOEVER CAUSED. SELLER'S MAXIMUM LIABILITY TO BUYER WITH RESPECT TO THE GOODS OR ANY REPLACEMENT PART SHALL IN NO EVENT EXCEED THE PRICE PAID BY BUYER FOR THE GOODS OR REPLACEMENT PART THAT ARE THE SUBJECT OF THE APPLICABLE CLAIM.

D. Seller shall not be liable for any damage, injury or loss arising out of the use of the Goods or any Replacement Part if, prior to such damage, injury or loss, such Goods or Replacement Parts are: (1) damaged or misused following Seller's delivery to the carrier; (2) not maintained, inspected, or used in compliance with applicable law and Seller's written instructions and recommendations; or (3) installed, repaired, altered or modified (a) with any part or accessory other than those supplied by Seller or (b) without compliance with such laws, instructions or recommendations.

E. This warranty is limited and provided only to the original end user. **Each Good and Replacement Part must be registered within sixty (60) days of receipt of each product to establish eligibility.** Please register at www.cmworks.com/hoist-warranty-registration or submit registration card via US mail.

F. Any action against Seller for breach of warranty, negligence or otherwise in connection with the electrical components of any Good must be commenced by Buyer within one (1) year after: (a) the date any alleged claim accrues; or (b) the date of delivery of the Goods to Buyer, whichever is earlier. Any action against Seller for breach of warranty, negligence or otherwise in connection with the brake discs on any Good must be commenced by Buyer within three (3) years after: (y) the date any alleged claim accrues; or (z) the date of delivery of the Goods to Buyer, whichever is earlier. Any action against Seller for breach of warranty, negligence or otherwise in connection with the mechanical components of any Good (other than the brake discs on any Good) must be commenced by Buyer within one (1) year after the date any alleged claim accrues. Any action against Seller for breach of warranty, negligence or otherwise in connection with any Replacement Part must be commenced by Buyer within one (1) year after: (y) the date any alleged claim accrues; or (z) the date of delivery of the Replacement Part to Buyer, whichever is earlier.

G. This warranty is contingent upon Buyer's proper maintenance and care of the Goods and/or Replacement Part, and does not extend to normal wear and tear. Seller reserves the right, at its option, to void this warranty in the event of Buyer's use with the Goods and/or Replacement Parts of parts or accessories other than those supplied by Seller.

WARNING

Alterations or modifications of equipment and use of non-Seller replacement parts can lead to dangerous operation and injury.

TO AVOID INJURY:

- Do not alter or modify equipment.
- Do use only replacement parts manufactured by seller.

CM HOIST PARTS AND SERVICES ARE AVAILABLE IN THE UNITED STATES AND IN CANADA

As a CM Hoist and Trolley user you are assured of reliable repair and parts services through a network of Master Parts Depots and Service Centers that are strategically located in the United States and Canada. These facilities have been selected on the basis of their demonstrated ability to handle all parts and repair requirements promptly and efficiently. To quickly obtain the name of the Master Parts Depot or Service Center located nearest you, go to www.cmworks.com, phone (800) 888-0985, Fax: (716) 689-5644.

LAS PIEZAS Y REPARACIONES DE LOS POLIPASTOS DE CM ESTÁN ASEGURADAS EN ESTADOS UNIDOS Y CANADÁ

Como usuario de un polipasto y carro de CM le aseguramos cualquier reparación o la disponibilidad de cualquier pieza de repuesto a través de una red de almacenes de piezas de repuesto y centros de servicio situados estratégicamente en Estados Unidos y Canadá. Estas instalaciones se han seleccionado en base a su capacidad demostrada en la reparación de equipos y suministro de piezas de repuesto de forma rápida y eficaz. Para obtener la dirección del almacén de piezas de repuesto o del centro de servicio más cercano, vaya a www.cmworks.com, teléfono (800) 888-0985, Fax: (716) 689-5644 (sólo en Estados Unidos y Canadá).

LE SERVICE DE RÉPARATION ET DE PIÈCES POUR PALANS CM EST DISPONIBLE AUX ÉTATS-UNIS ET AU CANADA

Soyez assurés qu'en temps d'utilisateur de palan et treuil CM, d'un service de réparation et de pièces fiable par l'entremise d'un réseau de Centres de service et de Dépôts de pièces maîtresses qui sont stratégiquement situés aux États-Unis et au Canada. Ces établissements ont été sélectionnés sur une base de leur habileté démontrée à s'occuper promptement et efficacement des besoins de réparation de pièces. Aller à www.cmworks.com, téléphone (800) 888-0985, Fax: (716) 689-5644 pour obtenir rapidement le nom du dépôt de pièces maîtresses ou du centre de service situé le plus près.

⚠ WARNING

Improper operation of a hoist can create a potentially hazardous situation which, if **not** avoided, could result in death, or serious injury. To avoid such a potentially hazardous situation, the operator shall:

1. **NOT** operate a malfunctioning or unusually performing hoist.
2. **NOT** operate the hoist until you have thoroughly read and understood this manual.
3. **NOT** operate a hoist which has been modified without the manufacturer's approval or certification to be in conformity with applicable OSHA regulations.
4. **NOT** lift or pull more than rated load for the hoist.
5. **NOT** use damaged hoist or hoist that is **not** working properly.
6. **NOT** use hoist with twisted, kinked, damaged, or worn load chain.
7. **NOT** operate with any lever extension (cheater bar).
8. **NOT** attempt to "free chain" the hoist while a load is applied.
9. **NOT** use the hoist to lift, support, or transport people.
10. **NOT** lift loads over people and make sure all personnel remain clear of supported load.
11. **NOT** attempt to lengthen the load chain or repair damaged load chain.
12. Protect the hoists load chain from weld splatter or other damaging contaminants.
13. **NOT** operate a hoist when it is restricted from forming a straight line from hook to hook in the direction of loading.
14. **NOT** use load chain as a sling or wrap load chain around load.
15. **NOT** apply the load to the tip of the hook or to the hook latch.
16. **NOT** apply load unless load chain is properly seated in the chain wheel(s) or sprocket(s).
17. **NOT** apply load if bearing prevents equal loading on all load supporting chains.
18. **NOT** operate beyond the limits of the load chain travel.
19. **NOT** leave load supported by the hoist unattended unless specific precautions have been taken.
20. **NOT** allow the chain or hook to be used as an electrical or welding ground.
21. **NOT** allow the chain or hook to be touched by a live welding electrode.
22. **NOT** remove or obscure the warnings on the hoist.
23. **NOT** operate a hoist which has **Not** been securely attached to a suitable support.
24. **NOT** operate a hoist unless load slings or other approved single attachments are properly sized and seated in the hook saddle.
25. **NOT** lift loads that are **Not** balanced and the holding action is **Not** secure, taking up slack carefully.
26. **NOT** operate a hoist unless all persons are and remain clear of the supported load.
27. Report malfunctions or unusual performances of a hoist, after it has been shut down until repaired.
28. **NOT** operate a hoist on which the safety placards or decals are missing or illegible.
29. Be familiar with operating controls, procedures and warnings.

⚠ CAUTION

Improper operation of a hoist can create a potentially hazardous situation which, if not avoided, could result in minor or moderate injury. To avoid such a potentially hazardous situation, the operator shall:

1. Maintain a firm footing or be otherwise secured when operating the hoist.
2. Check brake function by tensioning the hoist prior to each lift or pulling operation.
3. Use hook latches. Latches are to retain slings, chains, etc. under slack conditions only.
4. Make sure the hook latches are closed and **not** supporting any parts of the load.
5. Make sure the load is free to move and will clear all obstructions.
6. Avoid swinging the load or hook.
7. Avoid lever "fly-back" by keeping a firm grip on the lever until operating stroke is completed and lever is at rest.
8. Inspect the hoist regularly, replace damaged or worn parts, and keep appropriate records of maintenance.
9. Use Columbus McKinnon parts when repairing the unit.
10. Lubricate load chain as recommended in this manual.
11. **NOT** operate except with manual power.
12. **NOT** permit more than one operator to pull on lever at the same time. More than one operator is likely to cause hoist overload.
13. **NOT** allow your attention to be diverted from operating the hoist.
14. **NOT** allow the hoist to be subjected to sharp contact with other hoists, structures, or objects through misuse.
15. **NOT** adjust or repair the hoist unless qualified to perform such adjustments or repairs.

The hoists are intended for general industrial use for moving loads within their load ratings. Prior to installation and operation, the user should review the application for abnormal environmental or handling conditions.

GENERAL SAFETY INFORMATION

ADVERSE ENVIRONMENTAL CONDITIONS

Do not use the hoists in areas containing flammable vapors, liquids, gasses or any combustible dust or fibers. Do not use the hoist in highly corrosive, abrasive, wet environments or in applications involving exposure to temperatures below -10°F or above 130°F.

MOVING HAZARDOUS LOADS

The hoists are not recommended for lifting materials that could cause widespread damage if dropped. The lifting or moving of materials that could explode or cause chemical or radioactive contamination requires fail-safe, redundant supporting devices that are not incorporated into these hoists.

DESCRIPTION

Series 653-A Hand Operated Lever Hoists are highly versatile tools that can be used in any position to efficiently pull, lift, drag or stretch. The frame, covers and lever are made from steel stampings. The gears are heat treated steel, upper and lower hooks are forged steel and the chain is heat treated, welded link type.

Hoist with load ratings of 3/4, 1, 1½, 2, 3 and 6 ton are available and this manual applies to all of these units. The hoists are available with 5, 10, 15 and 20 foot long chains.

Hooks with latches are standard on all units.

Series 653-A Hand Operated Lever Hoists are built in accordance with the specification contained herein and at the time of manufacture complies with the applicable sections of the American Society of Mechanical Engineers (ASME) Standard B30.21: Manually Operated Lever Hoists.

SPECIFICATIONS

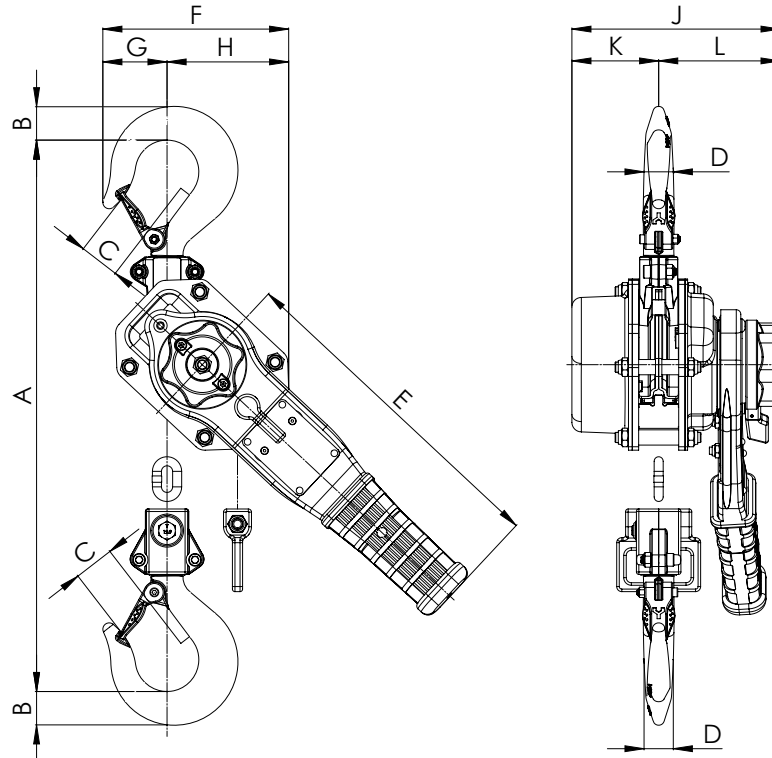


Figure 2 – Specifications

Model No.	Load Rating (Tonnes)	Lift or Reach ft. (m)	Lever pull to Lift Rated load (lbf)	Net Weight lb (kg)	Dimensions in. (mm)										
					A (Min.)	B	C	D	E	F	G	H	J	K	L
5310A	3/4	5 (1.5)	51	13.8 (6.26)	11.78 (302)	0.78 (20)	1.05 (27)	0.7 (18)	10.41 (267)	4.72 (121)	1.56 (40)	3.16 (81)	5.62 (144)	2.07 (53)	3.55 (91)
5311A		10 (3)		16.05 (7.28)											
5312A		15 (4.5)		18.3 (8.3)											
5313A		20 (6)		20.55 (9.32)											
5328A	1	5 (1.5)	51	19.84 (9)	13.50 (343)	0.87 (22)	1.14 (29)	0.75 (19)	10.51 (267)	5.47 (139)	1.69 (43)	3.78 (96)	6.46 (164)	2.68 (68)	3.78 (96)
5328-X10A		10 (3)		22.84 (10.4)											
5328-X15A		15 (4.5)		25.84 (11.7)											
5328-X20A		20 (6)		28.84 (13.1)											
5315A	1-1/2	5 (1.5)	77	20.17 (9.15)	14.63 (375)	1.01 (26)	1.21 (31)	0.82 (21)	10.51 (267)	5.69 (146)	1.99 (51)	3.71 (95)	6.46 (164)	2.68 (68)	3.78 (96)
5316A		10 (3)		23.61 (10.71)											
5317A		15 (4.5)		27.12 (12.3)											
5318A		20 (6)		30.62 (13.89)											
5329A	2	5 (1.5)	58	35.27 (16)	16.10 (409)	1.18 (30)	1.38 (35)	0.87 (22)	14.80 (376)	6.81 (173)	1.97 (50)	4.84 (123)	7.60 (193)	3.27 (83)	4.33 (110)
5329-X10A		10 (3)		38.27 (17.4)											
5329-X15A		15 (4.5)		41.27 (18.7)											
5329-X20A		20 (6)		44.27 (20.1)											
5320A	3	5 (1.5)	87	37.17 (16.86)	17.52 (445)	1.64 (37)	1.57 (40)	1.10 (28)	14.80 (376)	7.09 (180)	2.24 (57)	4.84 (123)	7.60 (193)	3.27 (83)	4.33 (110)
5321A		10 (3)		44.29 (20.09)											
5326-X15A		15 (4.5)		51.00 (23.13)											
5327A		20 (6)		66.00 (29.94)											
5330A	6	5 (1.5)	92	62.96 (28.56)	22.17 (563)	1.77 (45)	1.73 (44)	1.38 (35)	14.80 (376)	9.13 (232)	2.80 (71)	6.34 (161)	7.60 (193)	3.27 (83)	4.33 (110)
5331A		10 (3)		77.18 (35.01)											
5332A		15 (4.5)		91.4 (41.46)											
5333A		20 (6)		105.62 (47.91)											

UNPACKING

After unpacking the hoist, inspect carefully for any damage that may have occurred during transit. Check for loose, missing or damaged parts. Shipping damage claims must be filed with carrier. The hoist is supplied completely assembled and ready to use.

CM® REPAIR/REPLACEMENT POLICY

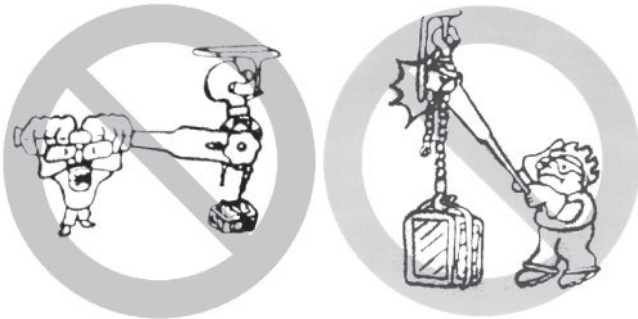
All Columbus McKinnon CM® Series 653-A hoists are inspected and performance tested prior to shipment. If any properly maintained hoist develops a performance problem, during the life of the Goods, due to a material or workmanship defect, as verified by CM, repair or replacement of the unit will be made to the original purchaser without charge.

This repair/replacement policy applies only to CM Series 653-A hoists installed, maintained and operated as outlined in this manual, and specifically excludes hoists subject to normal wear, abuse, improper installation, improper or inadequate maintenance, hostile environmental effects and unauthorized repairs/modifications. We reserve the right to change materials or design if, in our opinion, such changes will improve our product. Abuse, repair by an unauthorized person, or use of non-CM replacement parts voids the guarantee and could lead to dangerous operation. For full Terms of Sale, see Sales Order Acknowledgment. Also, refer to the Limitations of Warranties, Remedies and Damages, and Indemnification and Safe Operation.

INSTALLATION

Before installing the hoist:

1. Estimate the weight of the load that is to be lifted or moved and make sure it does not exceed the rated load of the hoist.
2. Make sure the support or sling to which the upper hook is attached is strong enough to hold several times the weight of the load to be lifted or moved. Be sure the hoist is solidly held in the uppermost part of the upper hook and the latch is closed and not in contact with the support or sling.
3. The area in which the hoist is installed must provide sufficient room for:
 - a. The operator to operate the lever.
 - b. The operator and other personnel to stand clear of the load at all times.
 - c. Firm footing for the operator.
 - d. Clearance between the hoist frame and any object. The frame must be free to swivel on the upper hook.



⚠ WARNING

Attaching the hoist from an inadequate support may allow the hoist and load to fall and cause injury and/or property damage.

TO AVOID INJURY:

Make sure the structure has sufficient strength to hold several times the hoist weight and its rated load.

OPERATION

⚠ WARNING

If not used as directed, lever hoist may cause injury.

TO AVOID INJURY:

Use only as directed below. Read all instructions before operating the CM® 653-A Series hand operated lever hoist.

GENERAL

1. The hoist must be kept clean to assure proper operation. Before use, check to be sure the load chain is clean, that there is no foreign material in the liftwheel area and that the lever operates freely.
2. Do not load beyond the rated capacity. Overload can cause immediate failure or cause damage resulting in future failure, even at less than rated capacity.
3. Do not use this hoist or any other material handling equipment for lifting or moving people, or lifting loads over people.
4. Stand clear of all loads and warn other people of your intention to move a load in their area.
5. Do not leave a load on the unit unattended.
6. Read warnings and instructions on the hoist before each use.
7. Do not hold the load chain while operating the hoist. Should the hoist not operate properly, serious injury may occur.
8. Never operate the hoist when flammable materials or vapors are present. Contact between metal parts may produce sparks that can cause a fire or explosion.
9. **STAY ALERT!** Watch what you are doing and use common sense. Do not use the hoist when you are tired, distracted or under the influence of drugs, alcohol or medication causing diminished control.

⚠ WARNING

Malfunction of unit, rigging slip or loss of footing may cause user to slip resulting in injury.

TO AVOID INJURY:

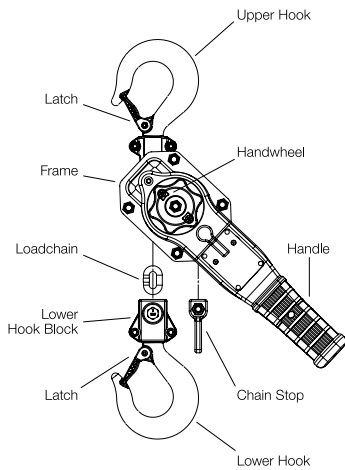
Always have a firm and secure footing when using the CM® 653-A Series hand operated lever hoist.

FREE CHAINING

In this mode of operation, the chain can be pulled through the hoist in either direction by hand for quick attachment to the load.

To engage the free chaining feature, remove any load from the hoist and move the directional lever to the (“N”) position.

OPERATION (CONTINUED)



Do not take up the load chain to the point where the chain stop or lower hook block becomes jammed against the frame.

ATTACHING THE LOAD

Attach the lower hook to the load so that it is seated in the bowl of the hook and is not bearing against the tip of the hook or latch, and the latch is tight against the hook tip.

⚠ WARNING
Allowing the load to bear against the hook latch and/or hook tip can result in loss of load.
TO AVOID INJURY:
Do not allow the load to bear against the hook latch and/or hook tip. Apply load to hook bowl or saddle only.

Do not wrap the chain around the load and hook onto itself as a choker chain sling or bring the load in contact with the hoist. Doing this will result in the loss of the swivel effect of the hook which could cause twisted chain and a jammed liftwheel. Also, the chain may be damaged at the hook. Make sure the upper and lower hooks are in a straight line and the frame is free to swivel on the upper hook.

TO PULL OR LIFT THE LOAD

Operate lever in up and down motion to shorten the distance between hooks and thus pull or lift the load.

When pulling or lifting move the load only enough to slightly load the unit, then check to be sure that the attachments to the hooks and load are firmly seated. Continue movement only after you are assured the load is free of all obstructions.

The hoist has been designed for hand powered operation only. Do not use an extension on the lever. The following Lever pulls will result in rated capacity on the unit:

- 3/4t: 51 lbf / 23 kgf
- 1t: 51 lbf / 23 kgf
- 1 1/2t: 77 lbf / 35 kgf
- 2t: 58 lbf / 26 kgf
- 3t: 87 lbf / 39 kgf
- 6t: 92 lbf / 42 kgf

Any greater pull is an indication of either an overload or an incorrectly maintained unit

TO LOOSEN OR LOWER LOAD

⚠ WARNING
Power operation may cause structural damage or premature wear that in turn may cause a part to break and allow the load to fall.
TO AVOID INJURY:
Operate the CM® 653-A Series lever hoist using hand power only!

Move directional lever to the unload position. Again, operate lever in an up and down motion to increase the distance between hooks and thus loosen or lower the load.

LOCKED BRAKE

If a hoist which is under load is suddenly relieved of the load by lifting the load off of the lower hook by some other means or pulling down walls, the brake will lock.

The brake will also lock if the lower hook block is pulled tightly against the frame.

To unlock the brake, turn the directional lever to the unload position and pull on the lever sharply.

⚠ WARNING
Turning the Handwheel with a load attached will allow the load to release and may cause injury.
TO AVOID INJURY:
Never turn the Handwheel when the lever hoist is under load.

⚠ WARNING
If the unit is not rigged in a straight line hook to hook manner, and if the frame is not free to swivel, lever pull may break frame and cause physical injury and loss of load.
TO AVOID INJURY:
Rig the unit in a straight line hook to hook manner and keep frame free to swivel (See Figure 4).

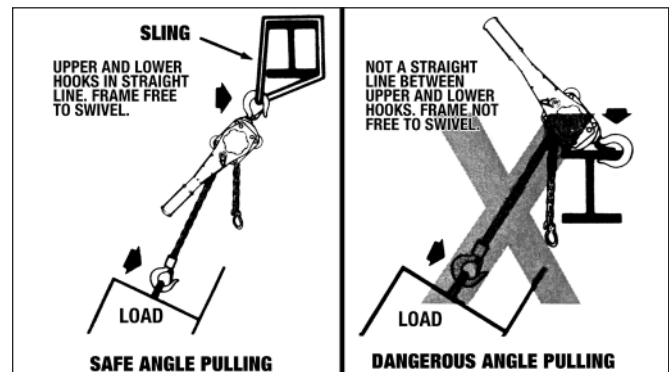


Figure 4

INSPECT HOIST

Before each use and at specified intervals as directed in the inspection section.

⚠ WARNING
Use as directed above. Failure to do so may cause injury to you or others.

1. **DO NOT** exceed capacity shown on nameplate.
2. **DO NOT** use to lift people or loads over people.
3. **DO NOT** use unless the hoist's frame and chain form a straight line between hooks.
4. **DO NOT** use if the frame is in contact with any object.
5. **DO NOT** use if the unit is damaged or malfunctions.
6. **DO NOT** use extension on lever. Use hand power only.
7. **DO NOT** use if chain is twisted, kinked or damaged.

MAINTENANCE

INSPECTION

To maintain continuous and satisfactory operation, a regular inspection procedure must be initiated so that worn or damaged parts can be replaced before they become unsafe. The intervals of inspection must be determined by the individual application and are based upon the type of service to which the hoist is subjected. The intervals indicated as follows are based on normal service.

The inspections are divided into two general classifications designated as "frequent" and "periodic".

FREQUENT INSPECTIONS

These inspections are usually visual examinations by the operator. Frequent inspections are to be performed daily or before each use and they are to include:

1. Braking mechanism for evidence of slippage.
2. Operation of the directional lever for free movement.
3. Load chain for lubricant, wear, damaged links or foreign material.
4. Hooks for damage, cracks, twists, latch engagement and latch operation.

PERIODIC INSPECTIONS

These are visual inspections of external and internal conditions by a designated person making records to provide the basis for continuing evaluation of the condition of the hoist. The frequency of periodic inspections is based upon usage as defined in ASME B30.21. Periodic inspections should include those items as well as the following:

1. Chain for excessive wear or stretch (See Figures 6 and 7, page 8).
2. Worn, cracked or distorted parts such as lower hook block, upper hook block, upper hook pin, chain guide, bushings, lever, brake cover, handwheel, directional pawl, friction hub and lever ratchet.
3. Inspect for wear on the tip of the pawls, teeth of the ratchet, and pockets of the liftwheel.
4. Loose or missing bolts, nuts, pins or rivets.
5. Inspect the brake components for worn, glazed or contaminated friction discs and scoring of the friction hub and ratchet. Replace brake ratchet assembly if contaminated, glazed or if thickness is less than 0.256 in. (6.5 mm) for 0.75 Tonne, 1 Tonne and 1.5 Tonne, 0.307 in. (7.8 mm) for 2 Tonne, 3 Tonne and 6 Tonne.
6. Corroded, stretched or broken pawl springs, directional lever pawl spring and lever ratchet spring.
7. Hooks – Visual inspection based upon ASME B30.10 and ASME B30.21.
8. Nameplate and Warning Labels for legibility and retention.
9. Chain stop in place and properly secured.

Any deficiency should be corrected before the hoist is returned to service. Also, the external conditions may show the need for more detailed inspection which, in turn, may require the use of non-destructive type testing.

Any parts deemed unserviceable are to be replaced with new parts before the hoist is returned to service. It is very important that the unserviceable parts are destroyed and properly disposed of to prevent their possible future use as a repair item.

When the unit is subjected to heavy usage or dusty, gritty, moist or corrosive atmospheric conditions, shorter time periods must be assigned. Inspection must be made of all parts for unusual wear, corrosion or damage, in addition to those specifically mentioned in the schedule.

HOOK INSPECTION

Hooks damaged from chemicals, deformations or cracks, or that have a twist from the plane of the unbent hook, excessive opening or seat wear, must be replaced (see ASME B30.10). Also, hooks that are opened to the extent that the latch does not engage the tip must be replaced. Any hook that is twisted or has excessive throat opening indicates abuse or overloading of the hoist. Other load sustaining parts should be inspected for damage.

Check to assure the latch is not damaged or bent and that it operates properly. It should have sufficient spring pressure to keep it tightly against the tip of the hook and allow it to spring back to the tip when released. If the latch does not operate properly, replace the latch.

The chart below should be used to determine when the hook must be replaced.

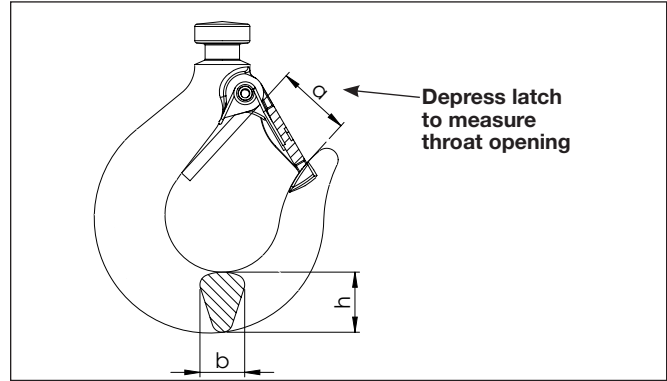


Figure 5 - Hook Inspection

Hoist Capacity (Tonnes)	Dimensions in. (mm)					
	"a" Std.	"a" Max.	"b" Std.	"b" Min.	"h" Std.	"h" Min.
0.75	1.06 (27)	1.17 (29.7)	.59 (15)	.56 (14.3)	.79 (20)	.75 (19)
1.0	1.14 (29)	1.25 (31.9)	.75 (19)	.71 (18.1)	.86 (22)	.82 (20.9)
1.5	1.26 (32)	1.38 (35.2)	.77 (19.5)	.73 (18.5)	1.03 (26.2)	.98 (24.9)
2.0	1.37 (35)	1.51 (38.5)	.86 (22)	.82 (20.9)	1.18 (30)	1.12 (28.5)
3.0	1.57 (40)	1.73 (44)	1.10 (28)	1.01 (26.6)	1.44 (36.6)	1.37 (34.8)
6.0	1.73 (44)	1.90 (48.4)	1.26 (32)	1.19 (30.4)	1.76 (44.8)	1.68 (42.6)

LOAD CHAIN

Chain should feed smoothly into and away from the hoist. If chain binds, jumps or is noisy, first clean and lubricate it (See Page 8). If trouble persists, inspect chain and mating parts for wear, distortion or other damage.

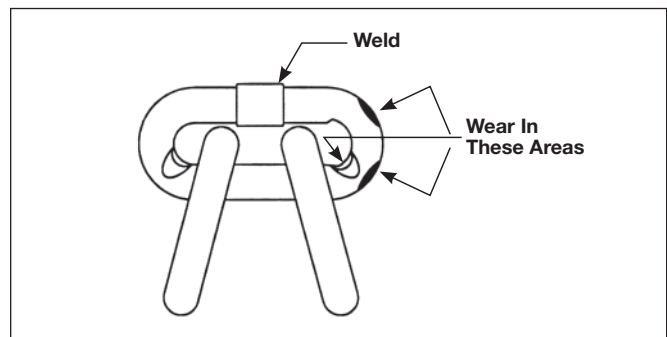


Figure 6 - Chain Inspection

CHAIN INSPECTION

First clean chain with a non-caustic/ nonacid type solvent and make a link by link inspection for nicks, gouges, twisted links, weld spatter, corrosion pits, striations (minute parallel lines), cracks in weld areas, wear and stretching. Chain with any one of these defects must be replaced.

Slack the portion of the chain that normally passes over the liftwheel. Examine the interlink area for the point of maximum wear (polishing).

Measure and record the stock diameter at this point of the link. Then measure stock diameter in the same area on the link that does not pass over the liftwheel (use the link adjacent to the chain stop for this purpose). Compare these two measurements. If the stock diameter of the worn link is 0.010 inches (0.254mm), or more, less than the stock diameter of the unworn link, the chain must be replaced.

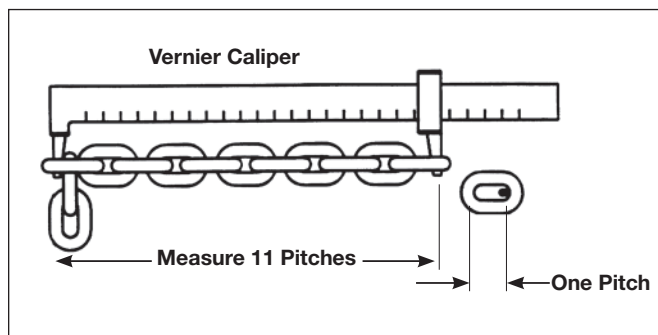


Figure 7 - Chain Inspection

Also check chain for stretch using a vernier caliper as shown in Figure 7. Select an unused, unstretched section of chain (usually at the loose end) and measure and record the length over 11 chain links (pitches). Measure and record the same length on a worn section of chain.

If the result (amount of stretch and wear) is greater than 0.145 inch (3.7 mm), the chain must be replaced.

Use only a “Knife-Edge” caliper to eliminate possibility of false reading by not measuring full pitch length.

⚠ WARNING
Using other than CM® 653-A SERIES supplied load chain may cause the chain to jam in the hoist and/or allow the chain to break and the load to drop.
TO AVOID INJURY:
Due to size requirements and physical properties, use only CM® 653-A SERIES supplied load chain in the CM® 653-A SERIES lever hoist.

Note that worn chain can be an indication of worn hoist components. For this reason, the hoist’s frame, stripper, and liftwheel should be examined for wear and replaced as necessary when replacing worn chain (See DISASSEMBLY and ASSEMBLY).

Also, the load chain is specially heat treated and hardened and should never be repaired.

IMPORTANT: Do not use replaced chain for other purposes such as lifting or pulling. Load chain may break suddenly without visual deformation. For this reason, cut replaced chain into short lengths to prevent use after disposal.

CHAIN LUBRICATION

A small amount of lubricant will greatly increase the life of load chain. Do not allow the chain to run dry. Keep it clean and lubricate at regular intervals with Lubriplate® Bar and Chain Oil 10-R (Fiske Bros. Refining Co.) or equal lubricant. Normally, weekly lubrication and cleaning is satisfactory, but under hot and dirty conditions, it may be necessary to clean the chain at least once a day and lubricate it several times between cleanings.

⚠ WARNING
Used motor oils contain known carcinogenic materials.
TO AVOID INJURY:
Never use used motor oils as a chain lubricant. Only use Lubriplate® Bar and Chain Oil 10-R as a lubricant for the load chain.

When lubricating the chain, apply sufficient lubricant to obtain natural run-off and full coverage, especially in the interlink area.

Hoist normally requires no additional lubrication except when it has been disassembled for cleaning or repairs.

IMPORTANT: Brake is designed to operate dry. Do not use any grease or lubricant on the braking surfaces.

⚠ WARNING
Using any grease or lubricant on the braking surfaces will cause brake slippage and loss of load control which may result in injury and/or property damage.
TO AVOID INJURY:
Do not use any grease or lubricant on braking surfaces. The brake is designed to operate dry.

When lubricating parts adjacent to the brake, do not use an excessive amount of lubricant which could seep onto the brake surfaces.

When the hoist is disassembled for cleaning or repairs, the following locations should be lubricated with approximately 1 fl. oz. per hoist of Molykote BR-2-S (Dow Corning), Molytex #2 (Texaco) or TopMoly (Topsall) grease or equal lubricant: gears, liftwheel bushings, exterior of pinion shaft, surfaces of frame bushings and surface of gear cover bushings. Be sure to thoroughly clean the old grease from these parts before re-lubricating.

IMPORTANT: To ensure long life and top performance, be sure to lubricate the various parts of the hoist using the lubricants specified above. If desired, these lubricants can be purchased from Columbus McKinnon (See Figure 13, page 10).

MAINTENANCE (CONTINUED)

DISASSEMBLY AND ASSEMBLY

The parts illustration and list in the repair parts section show the general arrangement and name of the parts of the CM® 653-A SERIES lever hoist. These should be used when disassembling and re-assembling the units so that all parts are properly installed.

DISASSEMBLY

To replace the liftwheel or stripper, completely disassemble the unit: remove the chain (See REPLACING LOAD CHAIN, page 11) and then remove the following: T2 Cylinder Screws M5x30, Handwheel, Lever Handle Assembly (Button Head Screw and 2 Lock Nuts) Center Lock Nut, Washer, Bushing, Ratchet Wheel (or Overload Assembly), Brake Side Cover (4 Lock Nuts) Pressunre Spring, Ratchet Disc Assembly, Disc Hub, Lever Side Plate Assembly, Chain Guide, Stripper.

On the gear side, remove the following: 4 Lock Nuts, Gear Case Assembly, Spur Gear Assembly, Drive Shaft, Drive Shaft Washer, Load Gear, Top Hook Shaft, Upper Hook Assembly, Gear Side Plate Assembly

ASSEMBLY

Prior to re-assembly, check all parts for excessive wear, cracks and distortion. Replace parts as necessary and then re-assemble the unit in reverse to the order given above

GEAR TIMING

When assembling gears, they must be orientated with the timing marks orientated as shown. (use figure "Gear Timing") Note: For 1t + 1.5t Tonne units, orientation of pinion/gear assemblies A and B are not relevant providing the timing marks are orientated as shown and one of each (A & B) assembly is present.

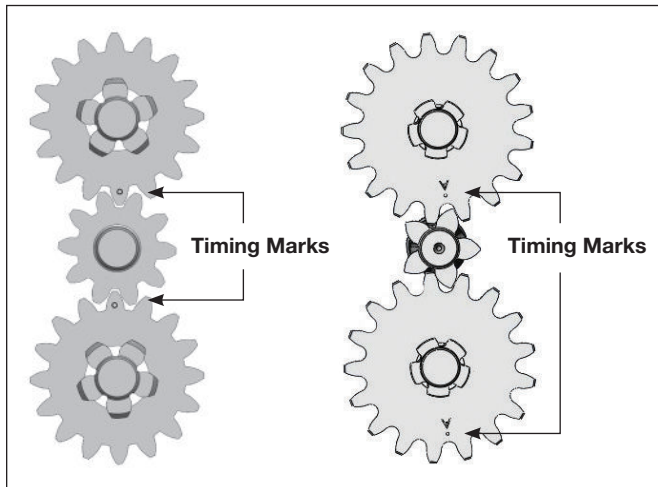
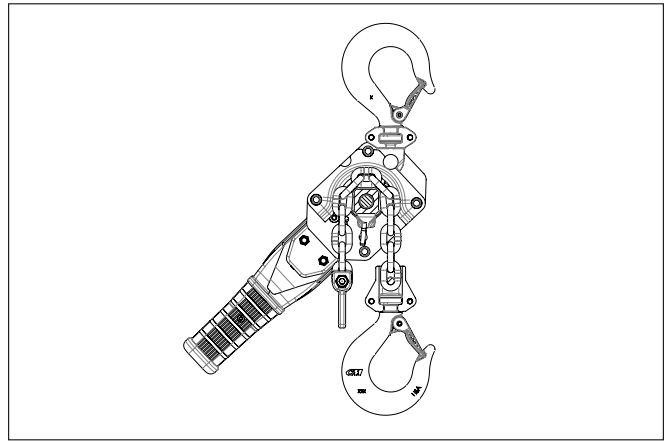


Figure 10 - Gear Timing
(0.75t + 1t + 1.5t)

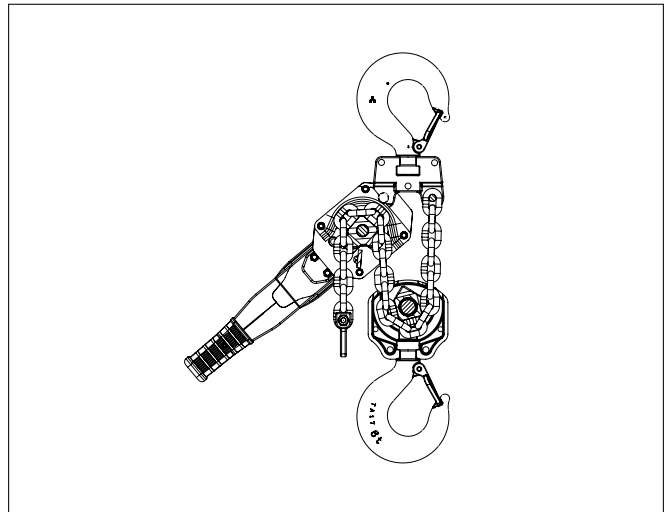
Figure 11 - Gear Timing
(2t + 3t + 6t)

REPLACING LOAD CHAIN

To replace the load chain, remove the lower hook block and chain stop from the chain. Move the directional lever to the neutral "N" and pull the old chain out of the hoist. Feed a length of soft wire through one side of the chain guide and over the liftwheel until it comes out on the other side of the chain guide. Attach the wire to the end of the new chain. Position the chain so that the first link to enter the chain guide will be an upstanding link and the welds on all upstanding links will be away from the liftwheel. Pull on the wire until the chain engages the liftwheel. Turn the handwheel while pulling on the wire, until the chain comes out of the chain guide. Pull the chain through and remove the wire. Attach the lower hook block to the chain that is directly below the upper hook.



Chain Installation Single Reeved (0.75 – 3 Tonne)



Chain installation Double Reeved (6 Tonne)

RECOMMENDED SPARE PARTS

Ratchet Disc Assembly
 Latch Kit
 Upper & Lower Hook Assembly

WARNING
Alterations or modifications of equipment and use of any parts other than CM® 653-A Series lever hoist repair parts can lead to dangerous operation and injury.
TO AVOID INJURY:
Do not alter or modify equipment. Do use only CM® 653-A Series provided replacement parts.

PREVENTATIVE MAINTENANCE

In addition to the inspection procedures, a preventative maintenance program should be established to prolong the useful life of the hoist and maintain its dependability and continued safe use. The program should include the periodic inspections with particular attention being paid to the lubrication of various components using the recommended lubricants (See Figure 13).

TESTING

Prior to initial use, all repaired or used hoists that have not been operated for the previous 12 months shall be tested by the user for proper operation. Test the unit first in the unloaded state and then with a light load of 100 pounds (45 kg.) times the number of load supporting parts of load chain to be sure it operates properly and the brake holds the load when the lever is released; then test with a load of 125% of rated capacity.

In addition, hoists in which load sustaining parts have been replaced must be tested with 125% of rated capacity by or under the direction of a designated person and a written report prepared for record purposes.

NOTE: For additional information on Inspection and Testing refer to ASME B30.21 “Manually Lever Operated Hoists” obtainable from ASME Order Department, 22 Law Drive, Box 2300, Fairfield, NJ 07007-2300, U.S.A.

INSPECTOR'S REPORT			
ITEM	REMARKS (LIST DEFICIENCIES AND RECOMMENDED ACTION)		
Inspector's Signature	Date Inspected	Approved by	Date

Figure 12 - Recommended Inspector's Report

RECOMMENDED LUBRICATION SCHEDULE* CM® 653-A SERIES HAND OPERATED LEVER HOISTS					
COMPONENT	TYPE OF LUBRICANT	ORDER PART NO.	TYPE OF SERVICE AND FREQUENCY OF LUBRICATION		
Load Chain	Oil (See page 8)	28619 (1 gal. can)	HEAVY	NORMAL	INFREQUENT
			Daily	Weekly	Monthly
Gears, Bushings, Liftwheel bushings & Pinion shaft	Grease (See page 8)	28618 (1 lb. can)	When hoist is disassembled for cleaning or repairs		

(* This lubrication schedule is based on a hoist operating in normal environment conditions. Hoists operating in adverse atmospheres containing excessive heat, corrosive fumes or vapors, abrasive dust, etc., should be lubricated more frequently.

Figure 13 - Recommended Lubrication Schedule

MAINTENANCE (CONTINUED)

ENGLISH

INSPECTION AND MAINTENANCE CHECK LIST HAND OPERATED LEVER HOIST

Type of Hoist _____ Capacity (Tons) _____
 Location _____ Original Installation Date _____
 Manufacturer _____ Manufacturer's Serial No. _____

Item	Frequency of Inspection		Possible Deficiencies	OK	Action Required
	Frequent	Periodic			
	Daily	Every 3 Months to Annually as defined per ASME B30.21			
Brake Mechanism	*	*	Slippage or excessive drift. Worn, glazed or contaminated friction discs. Thickness of brake ratchet assembly less than 7mm		
Directional Lever	*	*	Binding and does not move freely.		
Retractable Handle	*	*	Possible Deficiencies: Binding and does not move freely. Cracks, distortion, excessive wear, corrosion or build-up of foreign material.		
Load Chain	*	*	Inadequate lubrication, excessive wear or stretch, cracked damaged or twisted links, corroded or clogged with foreign material.		
Hooks	*	*	Excessive throat opening, twisted, damaged or non-operating hook latch, chemical damage. Cracks (Use dye penetrant, magnetic or other suitable detection method at least once a year).		
Lower Hook Block, Upper Hook Block, Upper Hook Pin, Chain Guide, Bushings, Gears, Pinion and Friction Hub		*	Cracks, distortion, excessive wear, corrosion or build-up of foreign material.		
Tip of Pawls and Lever Pawl Teeth of Ratchet and Lever Ratchet		*	Cracks, distortion, excessive wear, corrosion or build-up of foreign material.		
Pockets of Liftwheel, Stripper and Side Plates		*	Cracks, distortion, excessive wear, corrosion or build-up of foreign material.		
Nuts, Bolts, Pins and Rivets		*	Cracks, bending, loose, stripped threads.		
Pawl Springs, Directional Pawl Spring, and Spring		*	Corrosion, stretched or broken.		
Chain Stop		*	Missing, cracked, not secured to chain, not properly positioned.		
Nameplate, Warning Labels and Free Chaining		*	Missing, Damaged or illegible.		
NOTE: Refer to Maintenance and Inspection Sections of this manual for further details.					

FREQUENCY OF INSPECTION

Frequent - Indicates items requiring inspection daily or before each use. These inspections may be performed by the operator if properly designated.

Periodic - Indicates items requiring inspection every three months. Inspections to be performed by or under the direction of a properly designated person. The exact period of inspection will depend on frequency and type of usage. Determination of this period will be based on the user's experience. It is recommended that the user begin with a quarterly inspection and extend the periods to semi-annually or annually based on the user's quarterly experience.

NOTE: This inspection and maintenance check list is in accordance with our interpretation of the requirements of the Safety Standard for Lever Hoists ASME B30.21. It is, however, the ultimate responsibility of the employer/user to interpret and adhere to the applicable requirements of this safety standard.

Figure 14 – Recommended Inspection and Maintenance Check List

TROUBLESHOOTING CHART

Symptom	Possible Cause(s)	Corrective Action
Hoist is hard to operate in either direction.	1. Load chain worn long to gauge, thus binding between liftwheel and chain guide.	1. Check chain, (See page 7) and replace if worn excessively.
	2. Load chain rusty, corroded or clogged with foreign matter such as cement or mud.	2. Clean chain by tumble polishing or using a non-acid or non-caustic type solvent. Check chain for gouges, damaged or bent links. Lubricate with Lubriplate® Bar and Chain Oil 10-R (Fiske Bros. Refining Co.) or equal lubricant.
	3. Bushings clogged with matter such as cement or dust.	3. Disassemble and clean liftwheel bushings and bushings in gear cover and side plate (gear side). Any parts worn excessively should be replaced.
	4. Lever binding.	4. Clean by removing any foreign matter which may be between the lever and the brake cover.
	5. Brake parts corroded or clogged with foreign matter.	5. Disassemble brake and clean thoroughly (by wiping with a cloth - not by washing in a solvent). Replace ratchet assembly if too gummy, worn or scored. Keep brake surfaces clean and dry.
	6. Liftwheel pockets clogged with foreign matter or worn excessively causing chain to bind between liftwheel and chain guide.	6. Clean out pockets and use if not worn excessively. Replace liftwheel if pockets are worn.
	7. Liftwheel twisted or bent - gear teeth bent.	7. Excessive overload had been applied. Replace damaged parts.
Hoist is hard to operate in down direction.	1. Brake parts corroded or clogged with foreign matter.	1. Disassemble brake and clean thoroughly (by wiping with a cloth - not by washing in a solvent). Replace ratchet assembly if too gummy, worn or scored. Keep brake surfaces clean and dry.
	2. Chain binding.	2. Check chain, (See page 7) and replace if worn excessively. Clean chain by tumble polishing or using a non-acid or non-caustic type solvent. Check chain for gouges, damaged or bent links. Lubricate with Lubriplate® Bar and Chain Oil 10-R (Fiske Bros. Refining Co.) or equal lubricant.
Hoist is hard to operate in up direction.	1. Chain binding.	1. Check chain, (See page 7) and replace if worn excessively. Clean chain by tumble polishing or using a non-acid or non-caustic type solvent. Check chain for gouges, damaged or bent links. Lubricate with Lubriplate® Bar and Chain Oil 10-R (Fiske Bros. Refining Co.) or equal lubricant.
	2. Overload.	2. Reduce load or use correct capacity unit.

REPAIR PARTS LIST

WARNING

Using "Commercial" or other manufacturer's parts to repair the CM® 653-A Series may cause load loss.

TO AVOID INJURY:

Use only CM supplied replacement parts. Parts may look alike but CM parts are made of specific materials or processed to achieve specific properties



ORDERING INSTRUCTIONS

The following information must accompany all correspondence orders for replacement parts:

1. Hoist Model Number from identification plate.
2. Serial number of the hoist stamped below identification plate.
3. Length of lift.
4. Part number of part from parts list.
5. Number of parts required.
6. Part name from parts list.

NOTE: When ordering replacement parts, it is recommended that consideration be given to the need for also ordering such items as nuts, bolts, cotter pins, etc. These items may be damaged or lost during disassembly or just unfit for future use because of deterioration from age or service.

CM® 653-A SERIES HAND OPERATED LEVER HOIST

ENGLISH

Part Number	Manual #	Description	Qty.
653A-0001		653-A Gear Kit 0.75T	
-	15	LOAD GEAR	1
-	16	SPUR GEAR ASSEMBLY	2
-	17	DRIVE SHAFT WASHER	1
-	8	DRIVE SHAFT	1
653A-0002		653-A Gear Kit 1T & 1.5T	
-	15	SPUR GEAR ASSEMBLY 'A'	1
-	16	SPUR GEAR ASSEMBLY 'B'	1
-	17	DRIVE SHAFT WASHER	1
-	19	LOAD GEAR	1
-	8	DRIVE SHAFT	1
653A-0003		653-A Gear Kit 2T, 3T & 6T	
-	18	LOAD GEAR	1
-	16	SPUR GEAR ASSEMBLY	2
-	22	DRIVE SHAFT WASHER	1
-	8	DRIVE SHAFT	1
BAN-0010		LOAD SHEAVE KIT 0.75T	
-	18	Load Sheave	1
-	17	Drive Shaft Washer	1
BAN-0011		LOAD SHEAVE KIT 1T & 1.5T	
-	18	Load Sheave	1
-	17	Drive Shaft Washer	1
BAN-0012		LOAD SHEAVE KIT 2T, 3T & 6T	
-	17	Load Sheave	1
-	20	Load Gear Bearing	2
653A-0020		653-A GEAR SIDE PLATE KIT 0.75T	
-	1	GEAR SIDE PLATE; ASSY	1
-	22	BUTTON HEAD SCREW	1
653A-0021		653-A GEAR SIDE PLATE KIT 1T & 1.5T	
-	1	GEAR SIDE PLATE, ASSY.	1
-	23	BUTTON HEAD SCREW	1
653A-0022		653-A GEAR SIDE PLATE KIT 2T, 3T & 6T	
-	1	GEAR SIDE PLATE, ASSY.	1
-	23	BUTTON HEAD SCREW	1
-	20	LIFTWHEEL BEARING (OUTER RING + ROLLERS)	2
653A-0023		653-A LEVER SIDE PLATE KIT 0.75T	
-	22	BUTTON HEAD SCREW	1
-	2	LEVER SIDE PLATE; ASSY.	1
653A-0024		653-A LEVER SIDE PLATE KIT 1T & 1.5T	
-	23	BUTTON HEAD SCREW	1
-	2	LEVER SIDE PLATE, ASSY.	1
653A-0025		653-A LEVER SIDE PLATE KIT 2T, 3T & 6T	
-	12	CYL. SCREW TO M8 - 13 x 22	4
-	23	BUTTON HEAD SCREW	1
-	20	LIFTWHEEL BEARING (OUTER RING + ROLLERS)	2
653A-0030		653-A STRIPPER KIT 0.75T	
-	13	CHAIN GUIDE	1
-	14	STRIPPER	1
653A-0031		653-A STRIPPER KIT 1T & 1.5T	
-	13	CHAIN GUIDE	1
-	14	STRIPPER	1
653A-0032		653-A STRIPPER KIT 2T, 3T & 6T	
-	13	CHAIN GUIDE	1
-	14	STRIPPER	1

Part Number	Manual #	Description	Qty.
653A-0040		653-A CHANGE GEAR KIT 0.75T	
-	12	BUSHING	1
-	6	CHANGE OVER GEAR	1
653A-0041		653-A CHANGE GEAR KIT 1T & 1.5T	
-	12	BUSHING	1
-	6	CHANGE OVER GEAR	1
653A-0042		653-A CHANGE GEAR KIT 2T, 3T & 6T	
-	12	BUSHING	1
-	6	CHANGE OVER GEAR	1
653A-0050		653-A SPRING KIT 0.75T, 1T & 1.5T	
-	11	PRESSURE SPRING	1
-	20	PAWL SPRING	2
653A-0051		653-A SPRING KIT 2T, 3T & 6T	
-	11	PRESSURE SPRING	1
-	15	PAWL SPRING	2
TOR-0050	-	653-A CHAIN STOP KIT 0.75T	
-	31	LOCK RING	1
-	34	LOCK RING SCREW	1
-	35	LOCK NUT M6	1
TOR-0051	-	653-A CHAIN STOP KIT 1T & 1.5T	
-	38	LOCK RING	1
-	41	LOCK RING SCREW	1
-	42	M8 LOCK NUT	1
TOR-0052	-	653-A CHAIN STOP KIT 2T & 3T	
-	32	LOCK RING	1
-	35	LOCK RING SCREW	1
-	36	LOCK NUT M10	2
TOR-0052	-	653-A CHAIN STOP KIT 6T	
-	32	LOCK RING	1
-	35	LOCK RING SCREW	1
-	37	LOCK NUT M10	1
653A-0070		653-A RATCHET KIT 0.75T, 1T & 1.5T	
-	9	DISC HUB	1
-	10	RATCHET DISC ASSEMBLY	1
-	11	PRESSURE SPRING	1
653A-0071		653-A RATCHET KIT 2T, 3T & 6T	
-	9	DISC HUB	1
-	10	RATCHET DISC ASSEMBLY	1
-	11	PRESSURE SPRING	1
653A-0080		653-A BRAKE COVER KIT 0.75T	
-	4	HOUSING COVER	1
-	24	LOCK NUT M8	4
653A-0081		653-A BRAKE COVER KIT 1T & 1.5T	
-	4	HOUSING COVER	1
-	25	LOCK NUT M8	4
653A-0082		653-A BRAKE COVER KIT 2T, 3T & 6T	
-	4	HOUSING COVER	1
-	26	LOCK NUT M8	4
653A-0083		653-A GEAR COVER KIT 0.75T	
-	3	GEAR CASE ASSEMBLY	1
-	24	LOCK NUT M8	4
653A-0084		653-A GEAR COVER KIT 1T & 1.5T	
-	3	GEAR CASE ASSEMBLY	1
-	25	LOCK NUT M8	4



CM® 653-A SERIES HAND OPERATED LEVER HOIST

ENGLISH

Part Number	Manual #	Description	Qty.
653A-0085		653-A GEAR COVER KIT 2T, 3T & 6T	
-	3	GEAR CASE ASSEMBLY	1
-	26	LOCK NUT M8	4
653A-0090		653-A HARDWARE KIT 0.75T	
-	27	E-CLIP	2
-	25	LOCK NUT M6	2
-	23	CYLINDER SREW	2
-	24	LOCK NUT M8	9
-	26	WASHER	1
-	22	BUTTON HEAD SCREW	1
653A-0090		653-A HARDWARE KIT 1T & 1.5T	
-	28	E-CLIP	2
-	26	LOCK NUT M6	2
-	24	CYLINDER SREW	2
-	25	LOCK NUT M8	9
-	27	WASHER	1
-	23	BUTTON HEAD SCREW	1
653A-0091		653-A HARDWARE KIT 2T, 3T & 6T	
-	28	E-CLIP	2
-	25	LOCK NUT M10	1
-	24	CYLINDER SREW	2
-	26	LOCK NUT M8	10
-	27	WASHER	1
-	23	BUTTON HEAD SCREW	1
-	22	DRIVE SHAFT WASHER	1
653A-0100		653-A PAWL KIT 0.75T	
-	20	PAWL SPRING	2
-	21	PAWL	2
-	27	E-CLIP	2
653A-0100		653-A PAWL KIT 1T & 1.5T	
-	20	PAWL SPRING	2
-	21	PAWL	2
-	28	E-CLIP	2
653A-0101		653-A PAWL KIT 2T, 3T & 6T	
-	15	PAWL SPRING	2
-	21	PAWL	2
-	28	E-CLIP	2
653A-0110		653-A HANDWHEEL KIT 0.75T	
-	23	CYLINDER SREW	2
-	7	HAND WHEEL	1
-	12	BUSHING	1
-	26	WASHER	1
-	10	CHANGE OVER GEAR	1
-	24	LOCK NUT M8	1
653A-0110		653-A HANDWHEEL KIT 1T & 1.5T	
-	24	CYLINDER SREW	2
-	7	HAND WHEEL	1
-	12	BUSHING	1
-	27	WASHER	1
-	10	CHANGE OVER GEAR	1
-	25	LOCK NUT M8	1

Part Number	Manual #	Description	Qty.
653A-0111		653-A HANDWHEEL KIT 2T, 3T & 6T	
-	24	CYLINDER SREW	2
-	7	HAND WHEEL	1
-	12	BUSHING	1
-	27	WASHER	1
-	10	CHANGE OVER GEAR	1
-	25	LOCK NUT M10	1
BAN-0120		653-A UPPER HOOK ASSEMBLY KIT 0.75T	
-	28	Upper Hook Assembly	1
653A-0120		653-A UPPER HOOK ASSEMBLY KIT 1T	
-	29	TOP HOOK ASSEMBLY	1
BAN-0121		653-A UPPER HOOK ASSEMBLY KIT 1.5T	
-	29	TOP HOOK ASSEMBLY	1
653A-0121		653-A UPPER HOOK ASSEMBLY KIT 2T	
-	29	TOP HOOK ASSEMBLY	1
BAN-0122		653-A UPPER HOOK ASSEMBLY KIT 3T	
-	29	TOP HOOK ASSEMBLY	1
BAN-0123		653-A UPPER HOOK ASSEMBLY KIT 6T	
-	29	TOP HOOK ASSEMBLY	1
BAN-0130		653-A LOWER HOOK ASSEMBLY KIT 0.75T	
-	29	LOWER HOOK ASSEMBLY (incl. 30, 33 + 35)	1
-	33	LOWER HOOK CHAIN BOLT	1
-	30	LATCH KIT	2
-	35	LOCK NUT M6	2
653A-0130		653-A LOWER HOOK ASSEMBLY KIT 1T	
-	30	LOWER HOOK ASSEMBLY (incl. 34 + 36)	1
-	34	LOWER HOOK CHAIN BOLT	1
-	31	LATCH KIT	2
-	36	LOCK NUT M8	2
BAN-0131		LOWER HOOK ASSEMBLY KIT 1.5 TONNE	
-	30	LOWER HOOK ASSEMBLY (incl. 34 + 36)	1
-	34	LOWER HOOK CHAIN BOLT	1
-	31	LATCH KIT	2
-	36	LOCK NUT M8	2
653A-0131		653-A LOWER HOOK ASSEMBLY KIT 2T	
-	30	LOWER HOOK ASSEMBLY (incl. 34 + 36)	1
-	34	LOWER HOOK CHAIN BOLT	1
-	31	LATCH KIT	2
-	36	LOCK NUT M10	2
BAN-0132		653-A LOWER HOOK ASSEMBLY KIT 3T	
-	30	LOWER HOOK ASSEMBLY (incl. 34 + 36)	1
-	34	LOWER HOOK CHAIN BOLT	1
-	31	LATCH KIT	2
-	36	LOCK NUT M10	2
BAN-0133		653-A LOWER HOOK ASSEMBLY KIT 6T	
-	30	LOWER HOOK ASSEMBLY (incl. 34 + 36)	1
-	34	LOWER HOOK CHAIN BOLT	1
-	31	LATCH KIT	2
-	36	LOCK NUT M12	1
BAN-0141		653-A HAND GRIP KIT 0.75T, 1T, 1.5T, 2T, 3T & 6T	
-	-	RUBBER GRIP	1
-	-	GRIP FASTENER	1
-	-	GRIP FASTENER SCREW	1

CM® 653-A SERIES HAND OPERATED LEVER HOIST

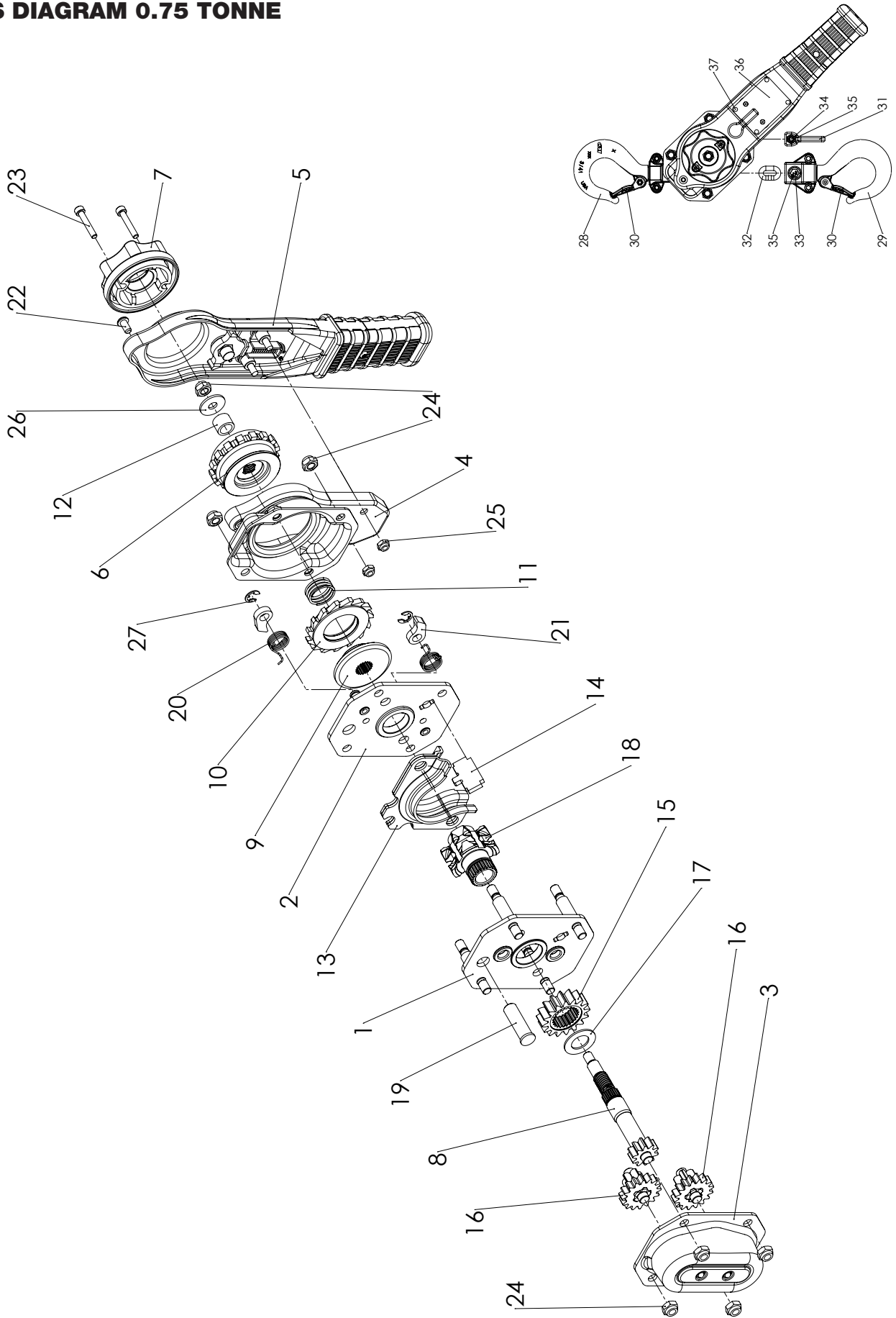
ENGLISH

Part Number	Manual #	Description	Qty.
Individual Parts			
0.75 Ton			
192051361	5	LEVER HANDLE ASSEMBLY (incl. NAME PLATE)	1
00002034	19	TOP HOOK SHAFT	1
192035181	N/A	SPLIT RING FOR WARNING TAG	1
192061167	N/A	WARNING TAG	1
635121EN	32	5.6x17.1 mm LOAD CHAIN	-
192051362	36	NAME PLATE	1
89033012	37	ROUND HEAD GROOVED PIN	4
53820	30	LATCH KIT	2
N09108068	22	BUTTON HEAD SCREW	1
N09102257	23	CYLINDER SREW	2
89022036	24	LOCK NUT M8	9
89022032	25	LOCK NUT M6	2
N09121200	26	WASHER	1
N09123040	27	E-CLIP	2
1 Ton			
192063669	5	LEVER HANDLE ASSEMBLY (incl. NAME PLATE)	1
00002137	20	TOP HOOK SHAFT	1
192035181	N/A	SPLIT RING FOR WARNING TAG	1
192061167	N/A	WARNING TAG	1
635128EN	33	7.1x21 mm LOAD CHAIN	-
192063670	37	NAME PLATE	1
89033012	38	ROUND HEAD GROOVED PIN	4
N00400450	31	LATCH KIT	2
N09108068	23	BUTTON HEAD SCREW	1
N09102257	24	CYLINDER SREW	2
89022036	25	LOCK NUT M8	9
89022032	26	LOCK NUT M6	2
N09121200	27	WASHER	1
N09123040	28	E-CLIP	2
1.5 Ton			
192051309	5	LEVER HANDLE ASSEMBLY (incl. NAME PLATE)	1
00002137	20	TOP HOOK SHAFT	1
192035181	N/A	SPLIT RING FOR WARNING TAG	1
192061167	N/A	WARNING TAG	1
635128EN	33	7.1x21 mm LOAD CHAIN	-
192051310	37	NAME PLATE	1
89033012	38	ROUND HEAD GROOVED PIN	4
53821	31	LATCH KIT	2
N09108068	23	BUTTON HEAD SCREW	1
N09102257	24	CYLINDER SREW	2
89022036	25	LOCK NUT M8	9
89022032	26	LOCK NUT M6	2
N09121200	27	WASHER	1
N09123040	28	E-CLIP	2
2 Ton			
192051685	5	LEVER HANDLE ASSEMBLY (incl. NAME PLATE)	1
00002331	19	TOP HOOK SHAFT	1
192035181	N/A	SPLIT RING FOR WARNING TAG	1

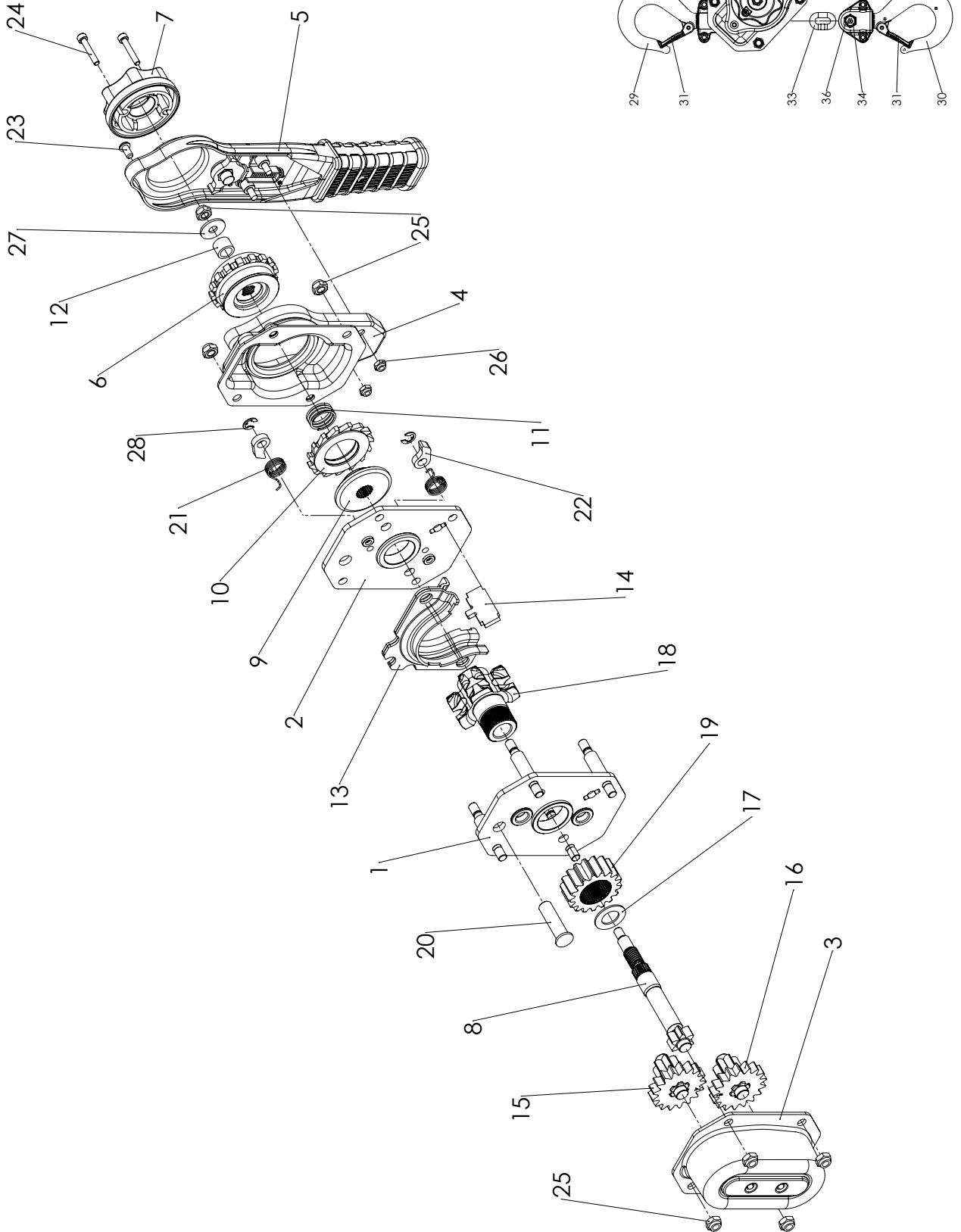
Part Number	Manual #	Description	Qty.
192061167	N/A	WARNING TAG	1
85394L	33	10x28 mm LOAD CHAIN	-
192063686	37	NAME PLATE	1
89033012	38	ROUND HEAD GROOVED PIN	4
N00400451	31	LATCH KIT	2
N09108069	23	BUTTON HEAD SCREW	1
N09102257	24	CYLINDER SREW	2
89022012	25	LOCK NUT M10	1
89022036	26	LOCK NUT M8	10
N09121045	27	WASHER	1
N09123046	28	E-CLIP	2
3 Ton			
192051465	5	LEVER HANDLE ASSEMBLY (incl. NAME PLATE)	1
00002331	19	TOP HOOK SHAFT	1
192035181	N/A	SPLIT RING FOR WARNING TAG	1
192061167	N/A	WARNING TAG	1
85394L	33	10x28 mm LOAD CHAIN	-
192051467	37	NAME PLATE	1
89033012	38	ROUND HEAD GROOVED PIN	4
53822	31	LATCH KIT	2
N09108069	23	BUTTON HEAD SCREW	1
N09102257	24	CYLINDER SREW	2
89022012	25	LOCK NUT M10	1
89022036	26	LOCK NUT M8	10
N09121045	27	WASHER	1
N09123046	28	E-CLIP	2
6 Ton			
192051821	5	LEVER HANDLE ASSEMBLY (incl. NAME PLATE)	1
00002331	19	TOP HOOK SHAFT	1
192035181	N/A	SPLIT RING FOR WARNING TAG	1
192061167	N/A	WARNING TAG	1
85394L	33	10x28 mm LOAD CHAIN	-
192051820	38	NAME PLATE	1
89033012	39	ROUND HEAD GROOVED PIN	4
53940	31	LATCH KIT	2
N09108069	23	BUTTON HEAD SCREW	1
N09102257	24	CYLINDER SREW	2
89022012	25	LOCK NUT M10	1
89022036	26	LOCK NUT M8	10
N09121045	27	WASHER	1
N09123046	28	E-CLIP	2

PARTS DIAGRAM 0.75 TONNE

ENGLISH



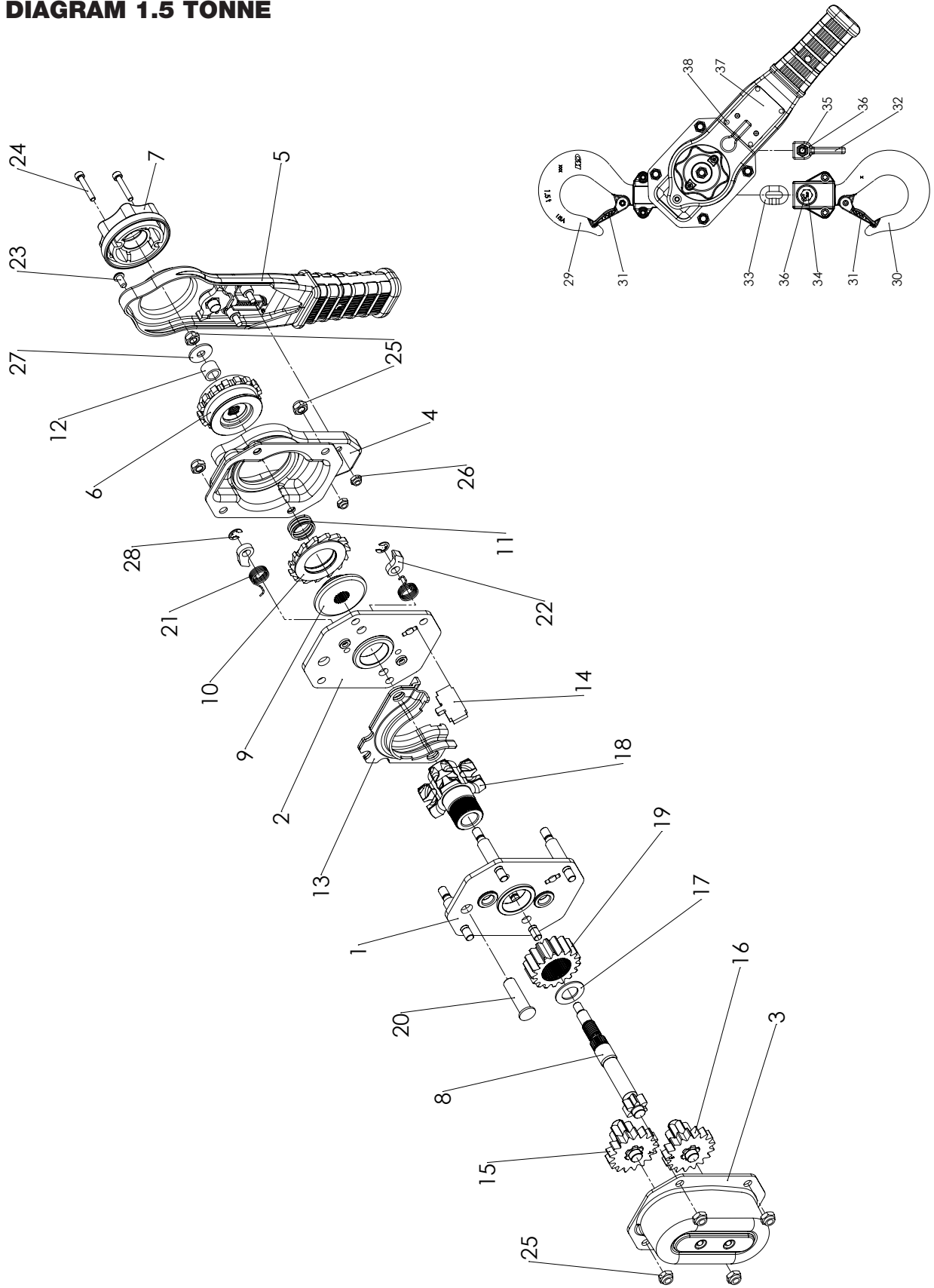
PARTS DIAGRAM 1 TONNE



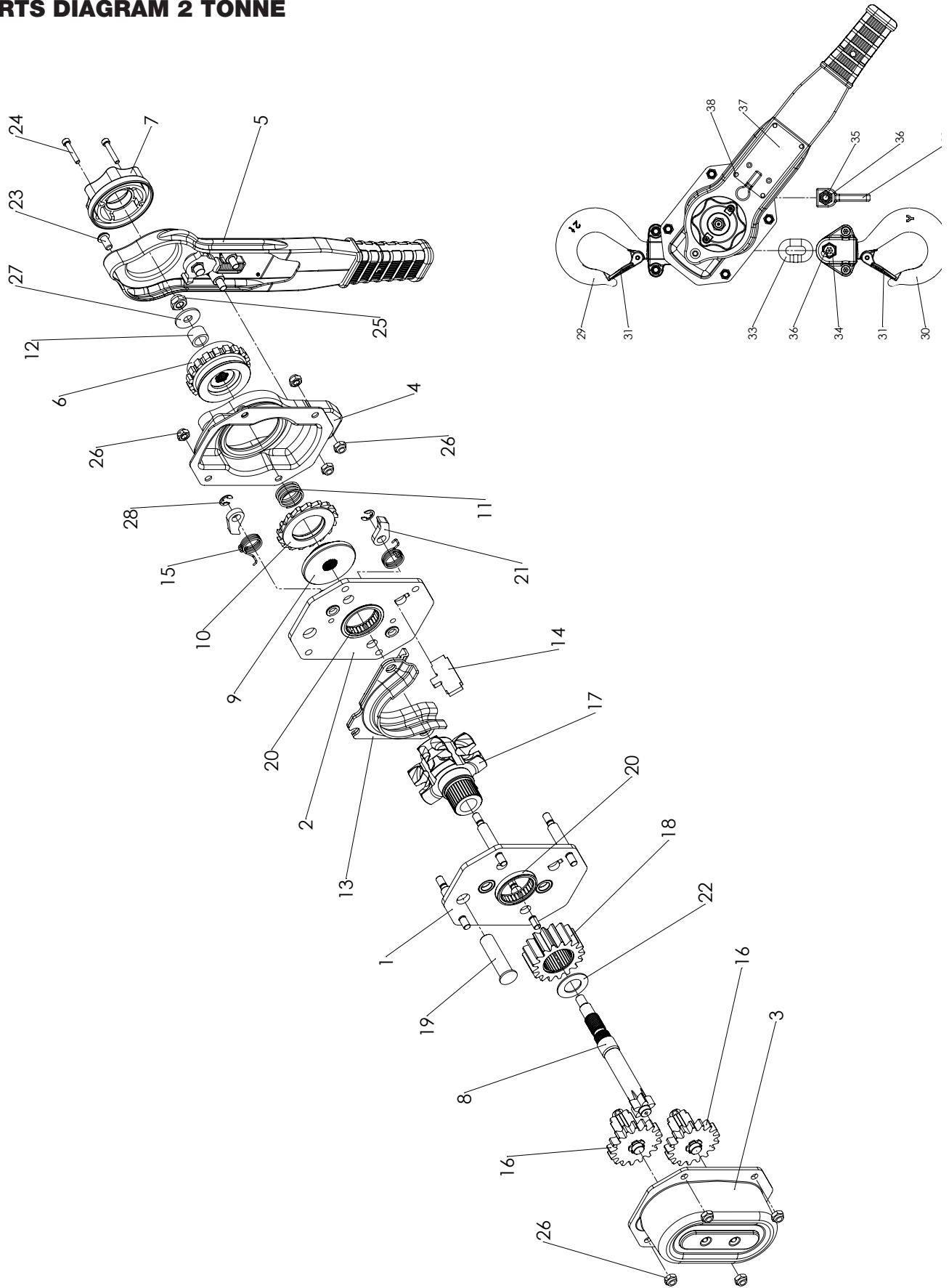
ENGLISH

PARTS DIAGRAM 1.5 TONNE

ENGLISH



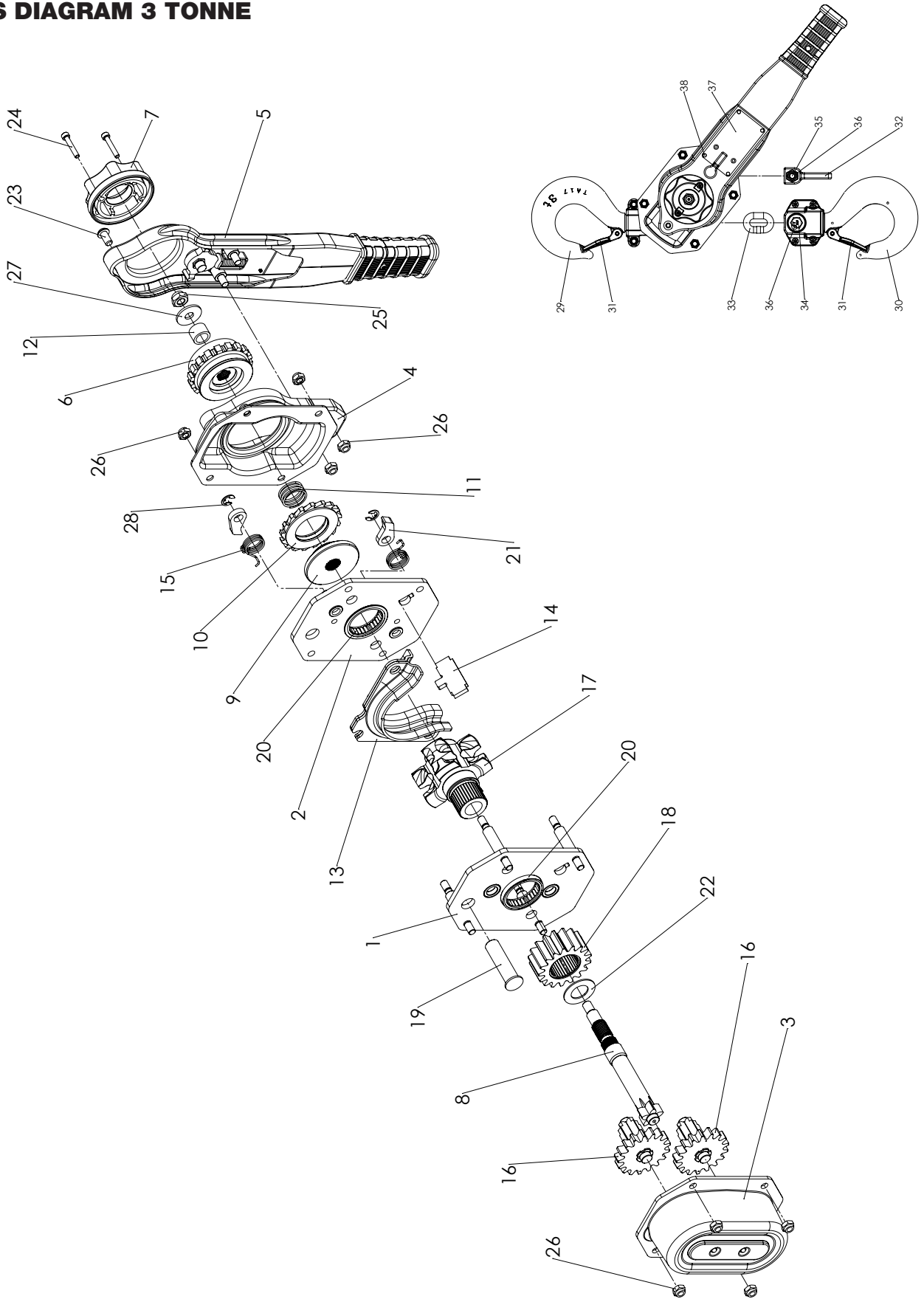
PARTS DIAGRAM 2 TONNE



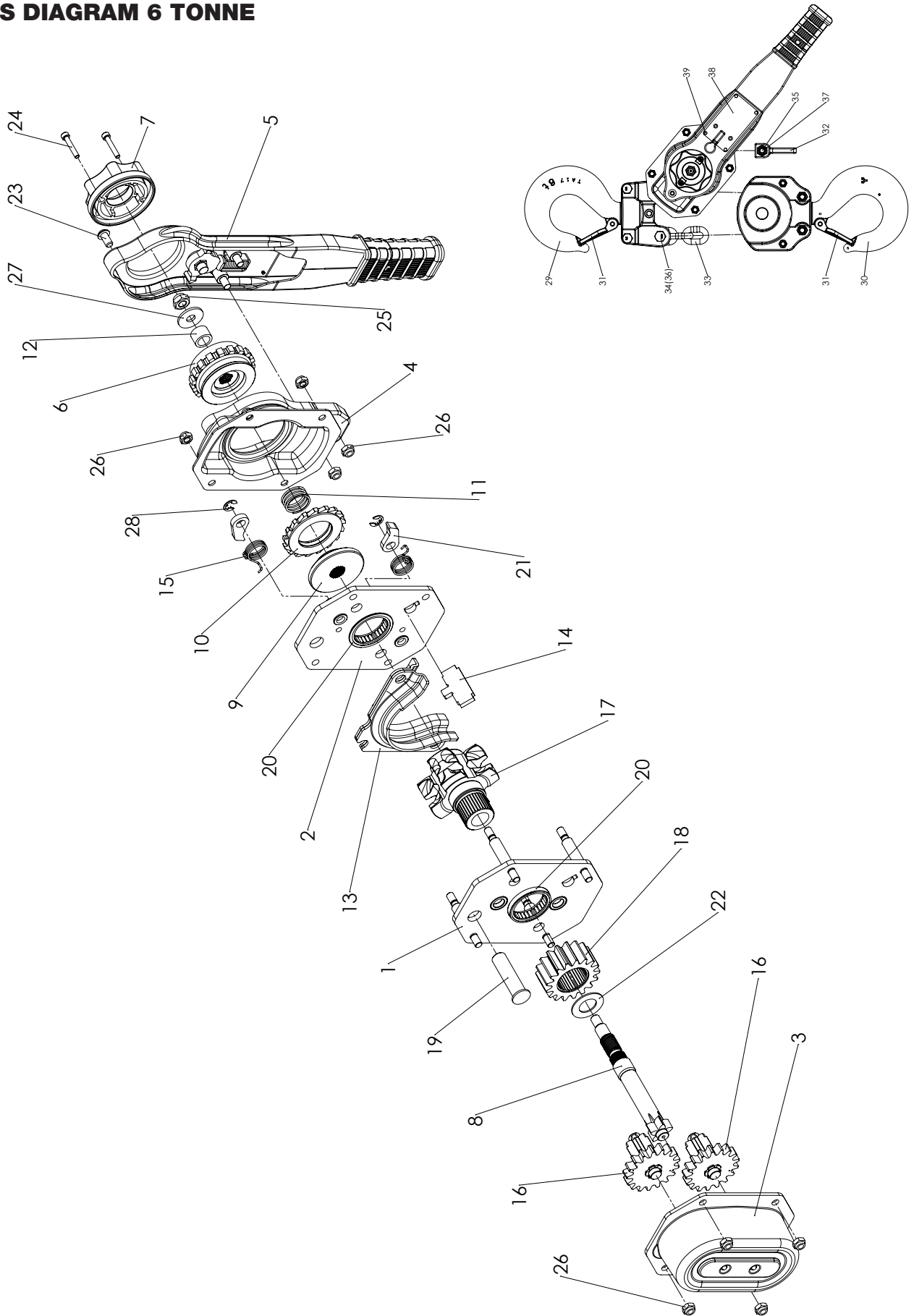
ENGLISH

PARTS DIAGRAM 3 TONNE

ENGLISH



PARTS DIAGRAM 6 TONNE



ENGLISH



INFORMACIÓN DE LA GARANTÍA

LIMITACIÓN DE GARANTÍAS, REMEDIOS Y DAÑOS

INDEMNIFICATION AND SAFE OPERATION

El comprador deberá cumplir y exigir a sus empleados que cumplan con las instrucciones establecidas en los manuales y manualidades proporcionados por el vendedor y que utilicen y exijan a sus empleados que sigan dichas instrucciones y manuales y que utilicen un cuidado razonable en el uso y mantenimiento de las mercancías y de las piezas de repuesto. El comprador no removerá ni permitirá que nadie elimine ninguna advertencia o letreros de instrucciones en los productos o piezas de repuesto. En el caso de lesiones personales o daños a bienes o negocios que surjan del uso de los bienes o piezas de repuesto, el comprador dentro de 48 horas le dará al vendedor notificación por escrito de tal lesión o daño. El comprador cooperará con el vendedor en la investigación de tales lesiones o daños y en la defensa de cualquier reclamación que surja de ella.

Si el comprador no cumple con esta sección o si alguna lesión o daño es causado, total o parcialmente, por la falta del comprador de cumplir con las leyes, reglas o reglamentos federales o estatales aplicables, los requisitos de seguridad, el comprador deberá indemnizar y eximir al vendedor de cualquier reclamaciones, pérdidas o gastos por lesiones o daños causados por el uso de los productos y/o piezas de repuesto.

GARANTÍA DE CMCO (ALZAMIENTOS)

A. Columbus McKinnon Corporation ("vendedor") garantiza al usuario final original ("comprador") que, por un período de un (1) año a partir de la fecha de entrega del vendedor de las mercancías (colectivamente, los "bienes") al transportista, las mercancías estarán libres de defectos de fabricación y Materiales. (b) durante un período de tres (3) años a partir de la fecha de entrega del vendedor de las mercancías al transportista, los discos de freno de las mercancías estarán exentos de defectos de fabricación y de materiales; y (c) para la vida de las mercancías, los componentes mecánicos, incluyendo, sin limitación, la palanca de elevación Sidewinder, de las mercancías (que no sean los discos de freno de la mercancía) estarán libres de defectos de mano de obra y materiales. . Además, el vendedor garantiza al comprador que, por un período de un (1) año a partir de la fecha de su entrega por el vendedor al transportista, cualquier recambio o piezas de repuesto, accesorios o componentes comprados por el comprador con respecto a cualquier mercancía (colectivamente, "reemplazo Partes ") estarán libres de defectos de mano de obra y materiales.

B. EN CASO DE CUALQUIER INCUMPLIMIENTO DE DICHA GARANTÍA, LA ÚNICA OBLIGACIÓN DEL VENDEDOR ESTARÁ LIMITADA EXCLUSIVAMENTE A, A OPCIÓN DEL VENDEDOR, LA REPARACIÓN O REEMPLAZO, EL PUNTO DE EMBARQUE DEL VENDEDOR FOB, DE CUALQUIER MERCANCÍA O PIEZAS DE REPUESTO QUE EL VENDEDOR DETERMINE HABER SIDO DEFECTUOSO O, SI EL VENDEDOR DETERMINE QUE TAL REPARACIÓN O REEMPLAZO NO ES FACTIBLE, A UN REEMBOLSO DEL PRECIO DE COMPRA SOBRE LA DEVOLUCIÓN DE LOS BIENES O PIEZAS DE REPUESTO AL VENDEDOR. NINGUNA RECLAMACIÓN CONTRA EL VENDEDOR POR CUALQUIER INCUMPLIMIENTO DE (I) DICHA GARANTÍA CON RESPECTO A LOS COMPONENTES ELÉCTRICOS DE CUALQUIER BIEN O PIEZAS DE REPUESTO SERÁ VÁLIDA O EJECUTABLE A MENOS QUE EL VENDEDOR HAYA RECIBIDO LA NOTIFICACIÓN POR ESCRITO DEL COMPRADOR DENTRO DE UN (1) AÑO A PARTIR DE LA FECHA DEL ENTREGA AL TRANSPORTISTA, (II) DICHA GARANTÍA CON RESPECTO A LOS DISCOS DE FRENO DE CUALQUIER BIEN SERÁ VÁLIDA O EJECUTABLE A MENOS QUE EL VENDEDOR HAYA RECIBIDO LA NOTIFICACIÓN POR ESCRITO DEL COMPRADOR EN UN PLAZO DE TRES (3) AÑOS A PARTIR DE LA FECHA DE ENTREGA DEL VENDEDOR AL TRANSPORTISTA Y (III) DICHA GARANTÍA CON RESPECTO A LA LOS COMPONENTES MECÁNICOS, INCLUYENDO, SIN LIMITACIÓN, LA PALANCA DE POLIPASTO SIDEWINDER, DE CUALQUIER BIEN (EXCEPTO LOS DISCOS DE FRENO EN CUALQUIER BUENA) SERÁN VÁLIDOS O EXIGIBLES, A MENOS QUE EL VENDEDOR HAYA RECIBIDO EL AVISO POR ESCRITO DEL COMPRADOR DENTRO DE UN (1) AÑO A PARTIR DE LA FECHA EN QUE PRESUNTA RECLAMACIÓN ACUMULADA. A EXCEPCIÓN DE LAS GARANTÍAS ESTABLECIDAS ANTERIORMENTE, EL VENDEDOR NO OFRECE NINGUNA OTRA GARANTÍA CON RESPECTO A LOS BIENES O CUALQUIER PARTE DE REEMPLAZO, YA SEA EXPRESA O IMPLÍCITA, INCLUYENDO CUALQUIER GARANTÍA DE COMERCIABILIDAD, IDONEIDAD PARA UN PROPÓSITO PARTICULAR, LA CALIDAD Y/O LOS QUE SURJAN POR LEY O DE CUALQUIER OTRA MANERA POR DERECHO O POR CUALQUIER CURSO DE NEGOCIACIÓN O USO DEL COMERCIO, TODOS LOS CUALES QUEDAN EXPRESAMENTE EXCLUIDOS.

C. EN NINGÚN CASO EL VENDEDOR SERÁ RESPONSABLE ANTE EL COMPRADOR O CUALQUIER TERCERO CON RESPECTO A CUALQUIER PARTE DEL BIEN O REEMPLAZO, YA SEA EN CONTRATO, AGRAVIO U OTRA TEORÍA DE LA LEY, POR PÉRDIDA DE BENEFICIOS O PÉRDIDA DE USO, O POR CUALQUIER DAÑO INCIDENTAL, CONSECUENTE, ESPECIAL, DIRECTO O INDIRECTO, INDEPENDIENTEMENTE DE LA CAUSA. LA MÁXIMA RESPONSABILIDAD DEL VENDEDOR ANTE EL COMPRADOR CON RESPECTO A LOS BIENES O CUALQUIER PIEZA DE REPUESTO NO EXCEDERÁ EN NINGÚN CASO EL PRECIO PAGADO POR EL COMPRADOR POR LA MERCANCÍA O PIEZA DE REPUESTO QUE SEA OBJETO DE LA RECLAMACIÓN APLICABLE.

D. El vendedor no será responsable de ningún daño, lesión o pérdida que surja del uso de la mercancía o de cualquier pieza de repuesto si, antes de tales daños, lesiones o pérdida, tales bienes o piezas de repuesto son: (1) dañado o mal utilizado después de la entrega del vendedor al transportista; (2) no mantenido, inspeccionado o utilizado de conformidad con la ley aplicable y las instrucciones y recomendaciones escritas del vendedor; o (3) instalado, reparado, alterado o modificado (a) con cualquier pieza o accesorio que no sea el suministrado por el vendedor o (b) sin el cumplimiento de tales leyes, instrucciones o recomendaciones.

E. Esta garantía es limitada y se proporciona solamente al usuario final original. Cada pieza buena y de reemplazo debe registrarse dentro de los días 60 (60) de la recepción de cada producto para establecer la elegibilidad. Por favor regístrese en www.cmworks.com/Hoist-Warranty-Registration o envíe la tarjeta de registro a través de US mail.

F. Cualquier acción contra el vendedor por incumplimiento de la garantía, negligencia o de otra manera en relación con los componentes eléctricos de cualquier bien debe ser iniciada por el comprador dentro de un (1) año después: (a) la fecha en que se devenga cualquier reclamación alegada; o (b) la fecha de entrega de la mercancía al comprador, cualquiera que sea anterior. Cualquier acción contra el vendedor por incumplimiento de la garantía, negligencia o de otra manera en relación con los discos de freno en cualquier buena debe ser iniciada por el comprador dentro de los tres (3) años siguientes a: (y) la fecha en que se devenga cualquier reclamación alegada; o (z) la fecha de entrega de la mercancía al comprador, cualquiera que sea anterior. Cualquier acción contra el vendedor por incumplimiento de la garantía, negligencia o de otro tipo en relación con los componentes mecánicos de cualquier bien (excepto los discos de freno en cualquier buena) debe ser iniciada por el comprador dentro de un (1) año después de la fecha en que se devenga cualquier reclamación alegada. Cualquier acción contra el vendedor por incumplimiento de la garantía, negligencia o de otra manera en relación con cualquier pieza de repuesto debe ser iniciada por el comprador dentro de un (1) año después de: (y) la fecha en que se devenga cualquier reclamación alegada; o (z) la fecha de entrega de la pieza de repuesto al comprador, cualquiera que sea anterior.

G. Esta garantía depende del mantenimiento y cuidado apropiados del comprador de los productos y/o de la pieza de repuesto, y no se extiende al desgaste normal. El vendedor se reserva el derecho, a su discreción, de anular esta garantía en caso de uso del comprador con los productos y/o piezas de repuesto de piezas o accesorios que no sean los suministrados por el vendedor.

⚠️ ADVERTENCIA

Las alteraciones o modificaciones del equipo y el uso de piezas de repuesto no vendidas pueden conducir a un funcionamiento peligroso y lesiones.

PARA EVITAR LESIONES:

- No altere ni modifique el equipo.
- Utilice únicamente piezas de repuesto de fábrica.

CM HOIST PARTS AND SERVICES ARE AVAILABLE IN THE UNITED STATES AND IN CANADA

As a CM Hoist and Trolley user you are assured of reliable repair and parts services through a network of Master Parts Depots and Service Centers that are strategically located in the United States and Canada. These facilities have been selected on the basis of their demonstrated ability to handle all parts and repair requirements promptly and efficiently. To quickly obtain the name of the Master Parts Depot or Service Center located nearest you, go to www.cmworks.com, phone (800) 888-0985, Fax: (716) 689-5644.

LAS PIEZAS Y REPARACIONES DE LOS POLIPASTOS DE CM ESTÁN ASEGURADAS EN ESTADOS UNIDOS Y CANADÁ

Como usuario de un polipasto y carro de CM le aseguramos cualquier reparación o la disponibilidad de cualquier pieza de repuesto a través de una red de almacenes de piezas de repuesto y centros de servicio situados estratégicamente en Estados Unidos y Canadá. Estas instalaciones se han seleccionado en base a su capacidad demostrada en la reparación de equipos y suministro de piezas de repuesto de forma rápida y eficaz. Para obtener la dirección del almacén de piezas de repuesto o del centro de servicio más cercano, vaya a www.cmworks.com, teléfono (800) 888-0985, Fax: (716) 689-5644 (sólo en Estados Unidos y Canadá).

LE SERVICE DE RÉPARATION ET DE PIÈCES POUR PALANS CM EST DISPONIBLE AUX ÉTATS-UNIS ET AU CANADA

Soyez assurés qu'en temps d'utilisateur de palan et treuil CM, d'un service de réparation et de pièces fiable par l'entremise d'un réseau de Centres de service et de Dépôts de pièces maîtresses qui sont stratégiquement situés aux États-Unis et au Canada. Ces établissements ont été sélectionnés sur une base de leur habileté démontrée à s'occuper promptement et efficacement des besoins de réparation de pièces. Aller à www.cmworks.com, téléphone (800) 888-0985, Fax: (716) 689-5644 pour obtenir rapidement le nom du dépôt de pièces maîtresses ou du centre de service situé le plus près.

ESPAÑOL

ADVERTENCIA

La operación indebida de un polipasto puede crear situaciones peligrosas que, si **no** se evitan, podrían provocar la muerte o lesiones graves. Para evitar este tipo de riesgos, el operador:

1. **NO** utilizará el polipasto si está dañado o si funciona mal o de manera inusual.
2. **NO** operará el polipasto hasta no haber leído en su totalidad y entendido claramente este manual.
3. **NO** operará un polipasto que haya sido modificado sin la aprobación o certificación del fabricante de que cumple con los reglamentos OSHA correspondientes.
4. **NO** levantará una carga superior a la carga nominal del polipasto.
5. **NO** utilizará un polipasto dañado o un polipasto que **no** funcione adecuadamente.
6. **NO** utilizará el polipasto si la cadena de carga está torcida, deformada, dañada o desgastada.
7. **NO** lo operará con ninguna extensión de palanca.
8. **NO** intentará "liberar la cadena" del polipasto mientras tenga carga enganchada.
9. **NO** utilizará el polipasto para levantar, soportar o transportar personas.
10. **NO** levantará cargas por encima de personas y se asegurará de que todo el personal se mantenga lejos de la carga soportada.
11. **NO** intentará alargar la cadena de carga ni reparar una cadena de carga dañada.
12. Protegerá la cadena de carga contra salpicaduras de soldaduras u otros contaminantes que la puedan dañar.
13. **NO** operará el polipasto si hay algún obstáculo que impida que se forme una línea recta de gancho a gancho en la dirección de carga.
14. **NO** utilizará la cadena de carga como eslinga ni envolverá carga con ella.
15. **NO** aplicará carga al extremo del gancho ni a la cerradura de este.
16. **NO** enganchará la carga, a menos que la cadena de carga esté bien asentada en la polea de cadena o poleas de carga.
17. **NO** enganchará la carga si el cojinete impide que se distribuya equitativamente entre todas las cadenas de soporte.
18. **NO** operará el polipasto más allá de los límites del recorrido de la cadena de carga.
19. **NO** desatenderá el polipasto cuando este tenga carga enganchada, a no ser que se hayan tomado precauciones específicas.
20. **NO** permitirá que la cadena de carga ni el gancho se utilicen como tierra eléctrica o para soldar.
21. **NO** permitirá que la cadena de carga ni el gancho toquen electrodos para soldar con corriente.
22. **NO** retirará ni ocultará las advertencias instaladas en el polipasto.
23. **NO** operará el polipasto si **NO** está bien sujeto a un soporte adecuado.
24. **NO** operará el polipasto, hasta que las eslingas u otros accesorios aprobados para la carga sean del tamaño correcto y estén instalados en el gancho.
25. **NO** levantará cargas que **no** estén equilibradas y donde la acción de retención **no** sea segura, recuperando con cuidado la holgura.
26. **NO** operará el polipasto si hay alguna persona en los alrededores de la carga.
27. Reportará las fallas o el desempeño inusual de un polipasto después de que se haya apagado y hasta que se repare.
28. **NO** operará el polipasto si faltan las placas o pegatinas de seguridad o si estas no se pueden leer.
29. Se familiarizará con los controles, procedimientos y advertencias de funcionamiento.

PRECAUCIÓN

La operación indebida de un polipasto puede crear situaciones peligrosas que, si no se evitan, podrían provocar lesiones leves o moderadas. Para evitar este tipo de situaciones, el operador:

1. Mantendrá los pies firmes en el piso o se sujetará de algún otro modo cuando opere el polipasto.
2. Tensará el polipasto antes de levantar una carga o de realizar una extracción para comprobar el funcionamiento del freno.
3. Utilizará cerraduras para el gancho. Estas sirven para sujetar eslingas, cadenas, etc., solo en situaciones en las que la cadena quede holgada.
4. Se asegurará de que las cerraduras estén cerradas y de que **no** soporten ninguna parte de la carga.
5. Se asegurará de que la carga pueda moverse libremente y de que no vaya a encontrarse con ningún obstáculo.
6. No columpiará la carga ni el gancho.
7. Evitará el "retorno" de la palanca sujetándola con firmeza, hasta que la carrera de operación termine y la palanca esté sin movimiento.
8. Inspeccionará el polipasto con regularidad, reemplazará las piezas dañadas o desgastadas, y mantendrá registros de mantenimiento adecuados.
9. Utilizará piezas de Columbus McKinnon cuando sea necesario reparar la unidad.
10. Lubricará la cadena de carga tal como se recomienda en este manual.
11. **NO** operará la unidad, excepto con potencia manual.
12. **NO** permitirá que más de un operador tire de la palanca al mismo tiempo. Tener más de un operador podría ocasionar sobrecarga en el polipasto.
13. **NO** se distraerá mientras opera el polipasto.
14. **NO** permitirá que el polipasto choque por accidente con otros polipastos, estructuras u objetos por un uso indebido.
15. **NO** ajustará ni reparará el polipasto, a no ser que esté calificado para ello.

Los polipastos están diseñados para un uso industrial general, para mover cargas dentro de sus valores nominales de carga. Antes de la instalación y de la operación, el usuario debe revisar si el uso se hará en condiciones ambientales o de manipulación anormales.

INFORMACIÓN DE SEGURIDAD GENERAL

CONDICIONES AMBIENTALES ADVERSAS

No utilice el polipasto en áreas donde haya vapores, líquidos o gases inflamables, o polvos y fibras combustibles. No utilice el polipasto en entornos sumamente corrosivos, abrasivos, húmedos ni en aplicaciones que involucren la exposición a temperaturas por debajo de -10 °F o por encima de 130 °F.

MOVIMIENTO DE CARGAS PELIGROSAS

No se recomienda usar un polipasto para levantar materiales que pudieran ocasionar daños importantes si se caen. La elevación o el movimiento de materiales que podrían explotar o provocar contaminación química o radioactiva requiere de dispositivos a prueba de fallas con respaldo redundante, que no estén integrados en estos polipastos.

DESCRIPCIÓN

Los polipastos manuales de palanca de Series 653-A son unas herramientas altamente versátiles que pueden ser usadas en cualquier posición para tirar, elevar, arrastrar o estirar eficientemente. El armazón, tapas y palanca están hechos de acero estampado. Los engranajes son de acero tratado térmicamente, los ganchos superior e inferior son de acero forjado y la cadena está tratada térmicamente, con los eslabones soldados.

Hay disponibles polipastos para cargas de 3/4, 1, 1½, 2, 3 y 6 toneladas y éste manual es aplicable a cada uno de dichos tipos. Los polipastos están disponibles con 1,5 - 3 - 4,6 y 6 metros de longitud de cadena.

Los ganchos con cerradura son equipo estándar en todas las unidades.

Los polipastos manuales de palanca de Series 653-A han sido fabricados de acuerdo a las especificaciones contenidas en éste documento y en el momento de su fabricación cumplen con las secciones aplicables de la normativa Standard B30.21: Polipastos manuales de palanca, de la ASME, American Society of Mechanical Engineers (Sociedad americana de Ingenieros mecánicos).

ESPECIFICACIONES

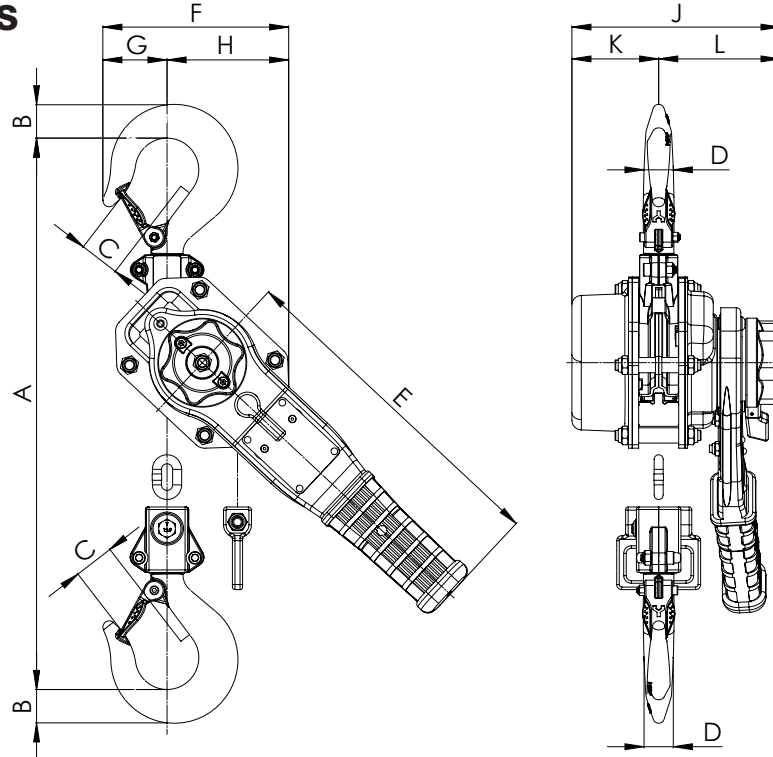


Figura 2 – Especificaciones

N.º de modelo	Carga nominal (toneladas)	Elevación o alcance pies (m)	Tire de la fuerza para levantar Carga nominal lbf. (kgf.)	Peso neto lb (kg)	Dimensiones en pulgadas (mm)										
					A (Min.)	B	C	D	E	F	G	H	J	K	L
5310A	3/4	5 (1.5)	51	13.8 (6.26)	11.78 (302)	0.78 (20)	1.05 (27)	0.7 (18)	10.41 (267)	4.72 (121)	1.56 (40)	3.16 (81)	5.62 (144)	2.07 (53)	3.55 (91)
5311A		10 (3)		16.05 (7.28)											
5312A		15 (4.5)		18.3 (8.3)											
5313A		20 (6)		20.55 (9.32)											
5328A	1	5 (1.5)	51	19.84 (9)	13.50 (343)	0.87 (22)	1.14 (29)	0.75 (19)	10.51 (267)	5.47 (139)	1.69 (43)	3.78 (96)	6.46 (164)	2.68 (68)	3.78 (96)
5328-X10A		10 (3)		22.84 (10.4)											
5328-X15A		15 (4.5)		25.84 (11.7)											
5328-X20A		20 (6)		28.84 (13.1)											
5315A	1-1/2	5 (1.5)	77	20.17 (9.15)	14.63 (375)	1.01 (26)	1.21 (31)	0.82 (21)	10.51 (267)	5.69 (146)	1.99 (51)	3.71 (95)	6.46 (164)	2.68 (68)	3.78 (96)
5316A		10 (3)		23.61 (10.71)											
5317A		15 (4.5)		27.12 (12.3)											
5318A		20 (6)		30.62 (13.89)											
5329A	2	5 (1.5)	58	35.27 (16)	16.10 (409)	1.18 (30)	1.38 (35)	0.87 (22)	14.80 (376)	6.81 (173)	1.97 (50)	4.84 (123)	7.60 (193)	3.27 (83)	4.33 (110)
5329-X10A		10 (3)		38.27 (17.4)											
5329-X15A		15 (4.5)		41.27 (18.7)											
5329-X20A		20 (6)		44.27 (20.1)											
5320A	3	5 (1.5)	87	37.17 (16.86)	17.52 (445)	1.64 (37)	1.57 (40)	1.10 (28)	14.80 (376)	7.09 (180)	2.24 (57)	4.84 (123)	7.60 (193)	3.27 (83)	4.33 (110)
5321A		10 (3)		44.29 (20.09)											
5326-X15A		15 (4.5)		51.00 (23.13)											
5327A		20 (6)		66.00 (29.94)											
5330A	6	5 (1.5)	92	62.96 (28.56)	22.17 (563)	1.77 (45)	1.73 (44)	1.38 (35)	14.80 (376)	9.13 (232)	2.80 (71)	6.34 (161)	7.60 (193)	3.27 (83)	4.33 (110)
5331A		10 (3)		77.18 (35.01)											
5332A		15 (4.5)		91.4 (41.46)											
5333A		20 (6)		105.62 (47.91)											

DESEMPACADO

Después de desempacar el polipasto, inspecciónelo detenidamente por si pudiera haberse dañado durante el transporte. Verifique que no haya piezas sueltas, faltantes o dañadas. Los reclamos por daños en el envío deben presentarse ante el transportista. El polipasto se envía totalmente armado y listo para usar.

POLÍTICA DE REPARACIÓN/REEMPLAZO DE CM®

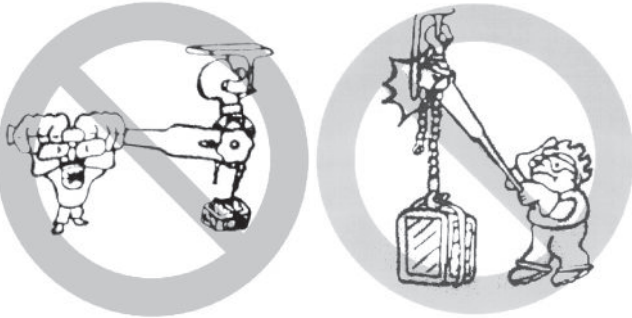
Todos los polipastos Columbus McKinnon CM® Serie 653-A son inspeccionados y probados el rendimiento antes del envío. Si cualquier polipasto debidamente mantenido desarrolla un problema de rendimiento, durante la vida de los Productos, debido a un defecto material o de mano de obra, según lo verificado por CM, la reparación o sustitución de la unidad se hará al comprador original se hará al comprador original sin cargo.

Esta política de reparación/sustitución se aplica únicamente a los polipastos de la serie CM 653-A instalados, mantenidos y operados como se describe en este manual, y excluye específicamente los polipastos sujetos a desgaste normal, abuso, instalación inadecuada, mantenimiento inadecuado o inadecuado, ambiente hostil efectos y reparaciones/modificaciones no autorizadas. Nos reservamos el derecho de cambiar materiales o diseñar si, en nuestra opinión, dichos cambios mejorar nuestro producto. El abuso, la reparación por parte de una persona no autorizada o el uso de piezas de repuesto que no sean DE CM anulan la garantía y podrían conducir a un funcionamiento peligroso. Para ver los términos de venta completos, consulte Confirmación de pedido de ventas. Además, consulte las Limitaciones de Garantías, Remedios y Daños, y Indemnización y Operación Segura.

INSTALACIÓN

Antes de instalar el polipasto:

1. Estime el peso de la carga que va a levantar o mover y asegúrese de que no exceda la carga nominal del polipasto.
2. Asegúrese de que el soporte o la eslinga a la que esté fijo el gancho superior sea lo suficientemente fuerte para sostener varias veces el peso de la carga que va a levantar o mover. Asegúrese de que el polipasto esté sostenido sólidamente en la parte superior del gancho superior y de que la cerradura esté cerrada y no esté en contacto con el soporte o la eslinga.
3. El área en la que se vaya a instalar el polipasto debe contar con espacio suficiente para que:
 - a. El operador active la palanca.
 - b. El operador y otras personas puedan mantenerse alejados de la carga en todo momento.
 - c. El operador pueda pararse firmemente.
 - d. Exista una separación entre el bastidor del polipasto y cualquier objeto. El bastidor tenga libertad de oscilar en el gancho superior.



ADVERTENCIA

Fijar el polipasto en un soporte inadecuado podría hacer que el polipasto y la carga se caigan y provoquen lesiones y/o daños a la propiedad.

PARA EVITAR LESIONES:

Asegúrese de que la estructura tenga la resistencia suficiente para sostener varias veces el peso del polipasto y su carga nominal.

FUNCIONAMIENTO

ADVERTENCIA

Si no se usa como se indica, el polipasto de palanca puede ocasionar lesiones.

PARA EVITAR LESIONES:

Utilícelo solo como se indica a continuación. Lea todas las instrucciones antes de operar el polipasto manual de palanca CM® Serie 653-A.

GENERAL

1. El polipasto debe mantenerse limpio para asegurar un funcionamiento adecuado. Antes de usarlo, asegúrese de que la cadena de carga esté limpia, de que no haya materiales extraños en el área de la rueda de izamiento y de que la palanca funcione libremente.
2. No lo use con una carga mayor a la capacidad nominal. La sobrecarga puede ocasionar una falla inmediata o provocar daños que ocasionen fallas futuras, incluso, a una capacidad menor a la nominal.
3. No use este polipasto ni ningún otro equipo de manejo de materiales para levantar o mover personas ni para levantar cargas por encima de personas.
4. Manténgase alejado de todas las cargas y advierta a otras personas sobre su intención de mover una carga en el área en que se encuentran.
5. No deje una carga en la unidad sin supervisar.
6. Lea las advertencias e instrucciones en el polipasto antes de cada uso.
7. Mientras opere el polipasto, no sostenga la cadena de carga. En caso de que el polipasto no funcione adecuadamente, podrían producirse lesiones graves.
8. Nunca opere el polipasto en presencia de materiales o vapores inflamables. El contacto entre piezas metálicas podría generar chispas que pueden provocar un incendio o una explosión.
9. ¡MANTÉNGASE ALERTA! Fíjese en lo que hace y utilice el sentido común. No use el polipasto cuando esté cansado, distraído o bajo los efectos de drogas, alcohol o medicamentos que provocan una disminución del control.

ADVERTENCIA

El mal funcionamiento de la unidad, el deslizamiento de los aparejos o una pérdida de equilibrio puede ocasionar que el usuario se resbale y provocar lesiones.

PARA EVITAR LESIONES:

Siempre adopte una postura firme y segura al usar el polipasto manual de palanca CM® Serie 653-A.

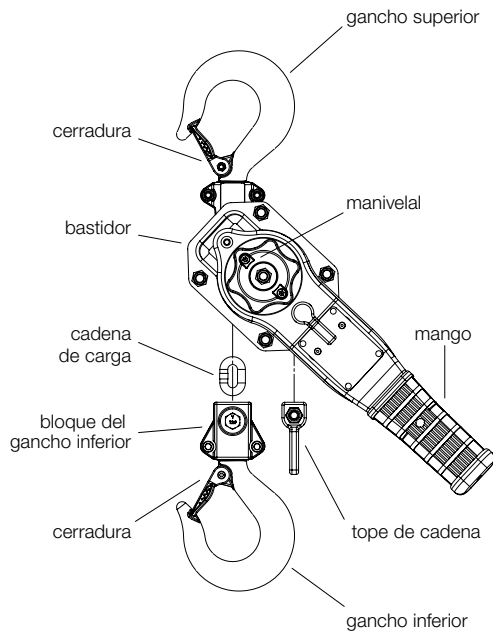
CADENA LIBRE

En este modo de operación, la cadena se puede pasar por el polipasto en cualquier dirección con la mano para fijarla con rapidez a la carga.

Para acoplar la función de cadena libre, retire cualquier carga del polipasto y mueva la palanca direccional a la posición ("N").

Tire de la palanca selectora para desbloquearla y girarla en la dirección deseada. Luego llévela de nuevo a la posición de bloqueo. El modo de funcionamiento se muestra en la ventana delantera de la palanca de mano.

FUNCIONAMIENTO (CONTINUACIÓN)



FIJACIÓN DE LA CARGA

Fije el gancho inferior a la carga, de manera tal que se asiente en el recipiente del gancho y que no se recargue contra la punta del gancho o la cerradura, y que la cerradura esté apretada contra la punta del gancho.

ADVERTENCIA

Si deja que la carga se recargue contra la cerradura del gancho o la punta del gancho, puede provocarse la pérdida de la carga.

PARA EVITAR LESIONES:

No permita que la carga se recargue contra la cerradura del gancho o la punta del gancho. Aplique la carga únicamente al recipiente o al asiento del gancho.

No envuelva la cadena sobre sí misma, alrededor de la carga y el gancho, como eslinga de cadena tipo retractor ni ponga la carga en contacto con el polipasto. Si lo hace, se perderá el efecto de oscilación del gancho, lo que podría ocasionar que se tuerza la cadena y que la rueda de izamiento se atore. Asimismo, la cadena podría dañarse en el gancho. Asegúrese de que los ganchos superior e inferior estén en línea recta y que el marco esté libre para oscilar en el gancho superior.

PARA TIRAR DE LA CARGA O LEVANTARLA

Operar palanca en movimiento hacia arriba y hacia abajo para acortar la distancia entre ganchos y así tirar o levantar la carga.

Al tirar o levantar, mueva la carga sólo lo suficiente como para cargar ligeramente la unidad, a continuación, comprobar para asegurarse de que los accesorios a los ganchos y la carga está firmemente asentada. Continúe el movimiento sólo después de aseguró que la carga está libre de todas las obstrucciones.

El polipasto ha sido diseñado solo para funcionar a mano. No utilice una extensión en la palanca. La siguiente palanca tira capacidad nominal en la unidad:

- 3/4t: 51 lbf / 23 kgf
- 1t: 51 lbf / 23 kgf
- 1 1/2t: 77 lbf / 35 kgf
- 2t: 58 lbf / 26 kgf
- 3t: 87 lbf / 39 kgf
- 6t: 92 lbf / 42 kgf

Cualquier mayor tirón es una indicación de una sobrecarga o una unidad mantenida incorrectamente.

PARA AFLOJAR O BAJAR LA CARGA

ADVERTENCIA

El funcionamiento eléctrico puede ocasionar daños estructurales o desgaste prematuro, que, a su vez, puede hacer que una pieza se rompa y que la carga se caiga.

PARA EVITAR LESIONES:

Accione el polipasto de palanca CM® Serie 653-A únicamente de manera manual.

Mueva la palanca direccional a la posición de descarga. Una vez más, accione la palanca con un movimiento hacia arriba y hacia abajo para aumentar la distancia entre los ganchos y, así, poder aflojar o bajar la carga.

FRENO BLOQUEADO

Si un polipasto que tiene carga de pronto se libera de la carga levantándola del gancho inferior por otro medio o tirando hacia abajo las paredes, el freno se bloqueará.

El freno también se bloqueará si el bloque del gancho inferior está estirado apretadamente contra el bastidor.

Para desbloquear el freno, mueva la palanca direccional a la posición de descarga y tire de la palanca con fuerza.

ADVERTENCIA

Si se gira la manivela con una carga adosada, se liberará la carga, lo que podría provocar lesiones.

PARA EVITAR LESIONES:

Nunca gire la perilla de manivela el polipasto de palanca tenga carga.

ADVERTENCIA

Si la unidad no está aparejada en línea recta de un gancho a otro y si el bastidor no está libre para oscilar, el tirón de la palanca puede romper el bastidor, provocar lesiones físicas y la pérdida de la carga.

PARA EVITAR LESIONES:

Apareje la unidad en línea recta de un gancho a otro y mantenga el bastidor libre para que oscile (vea la Figura 4).

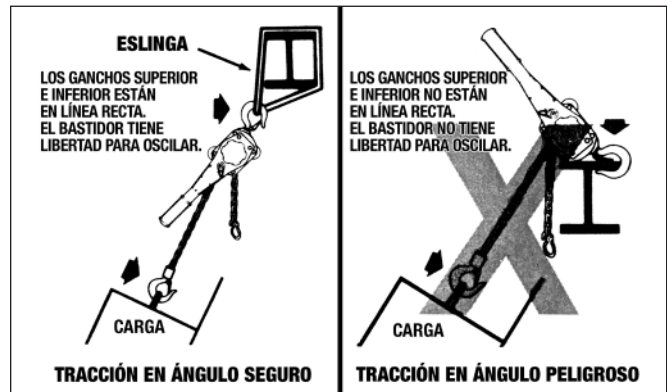


Figura 4

INSPECCIONE EL POLIPASTO

Antes de cada uso y en intervalos especificados, tal como se indica en la sección de inspección.

ADVERTENCIA

Utilícelo tal como se indica anteriormente. De no hacerlo, podría ocasionar lesiones a usted mismo o a otros.

1. **NO** exceda la capacidad que se indica en la placa de identificación.
2. **NO** utilice el polipasto para levantar personas ni para levantar cargas por encima de personas.
3. **NO** utilice el polipasto, a menos que el bastidor y la cadena formen una línea recta entre los ganchos.
4. **NO** utilice el polipasto si el bastidor está en contacto con algún objeto.
5. **NO** utilice el polipasto si la unidad está dañada o tiene fallas.
6. **NO** use una extensión en la palanca. Use únicamente la fuerza manual.
7. **NO** utilice el polipasto si la cadena está torcida, doblada o dañada.

MANTENIMIENTO

INSPECCIÓN

Para mantener un funcionamiento continuo y satisfactorio, debe iniciarse un procedimiento de inspección con regularidad, de manera tal que las piezas gastadas o dañadas puedan reemplazarse antes de que sean inseguras. Los intervalos de inspección deben determinarse según el uso individual y se basan en el tipo de servicio al cual se someta al polipasto. Los intervalos que se indican a continuación se basan en un servicio normal.

Las inspecciones se dividen en dos clasificaciones generales designadas como "frecuentes" y "periódicas".

INSPECCIONES FRECUENTES

Por lo general, son exámenes visuales realizados por el operador. Las inspecciones frecuentes se deben realizar todos los días o antes de cada uso y deben incluir:

1. Mecanismo de frenos para ver si se produjo un deslizamiento.
2. Funcionamiento de la palanca direccional para confirmar que se mueva libremente.
3. Cadena de carga para ver si hay lubricante, desgaste, eslabones dañados o materiales extraños.
4. Ganchos por si hubiera daños, grietas, torceduras, y para verificar el acoplamiento y el funcionamiento de la cerradura.

INSPECCIONES PERIÓDICAS

Estas son inspecciones visuales de condiciones externas e internas que realiza una persona designada mediante registros que sientan la base para una evaluación continua del estado del polipasto. La frecuencia de las inspecciones periódicas se basa en el uso tal como se lo define en ASME B30.21. Las inspecciones periódicas deben incluir esos puntos, así como los siguientes:

1. La cadena para verificar si hay desgaste o estiramiento excesivo (vea las Figuras 6 y 7 en la página 7).
2. Piezas desgastadas, agrietadas o distorsionadas como bloque de gancho inferior, bloque de gancho superior, conector de gancho superior, guía de cadena, bujes, palanca, cubierta del freno, perilla de cadena libre, gatillo direccional, cubo de fricción y trinquete de palanca.
3. Inspección para ver si hay desgaste en la punta de los gatillos, en los dientes del trinquete y en las cavidades de la rueda de izamiento.
4. Pernos, tuercas, conectores o remaches sueltos o faltantes.
5. Inspección de los componentes del freno por si los discos de fricción estuvieran desgastados, vidriados o contaminados y el cubo de fricción y el trinquete tuvieran rayones. Reemplace el conjunto de trinquete del freno si estuviera contaminado, vidriado o si el espesor fuera menor de 0.256 pulg. (6.5 mm) for 0.75 toneladas, 1 toneladas y 1.5 toneladas, 0.307 pulg. (7.8 mm) para de 2 toneladas, 3 toneladas, y 6 toneladas.
6. Resortes del gatillo, resorte del gatillo de la palanca direccional y resorte del trinquete de la palanca corroídos, estirados o rotos.
7. Ganchos: inspección visual según las normas ASME B30.10 y ASME B30.21.
8. Etiquetas de la placa de identificación y de advertencia, para confirmar que estén legibles y en su lugar.
9. Tope de la cadena en su lugar y debidamente asegurado.

Cualquier defecto debe corregirse antes de que el polipasto regrese al servicio. Asimismo, debido a las condiciones externas, puede ser necesario llevar a cabo una inspección más detallada, la que, a su vez, podría requerir el uso de pruebas no destructivas.

Toda pieza que se considere inutilizable debe reemplazarse con una nueva antes de que el polipasto regrese al servicio. Es muy importante que las piezas inutilizables se destruyan y se desechen adecuadamente para evitar que en el futuro se usen como pieza de repuesto.

Cuando la unidad sea sometida a un uso intenso o cuando en la atmósfera del entorno haya polvo, gravilla, humedad o un elemento corrosivo, se deben asignar períodos de inspección más cortos. Se deben inspeccionar todas las piezas por si tuvieran desgaste, corrosión o daños inusuales, además de lo mencionado específicamente en el programa.

INSPECCIÓN DEL GANCHO

Los ganchos dañados por productos químicos, deformaciones o grietas, o que estén torcidos según el plano del gancho sin doblar, con abertura excesiva o desgaste del asiento, deben reemplazarse (vea la norma ASME B30.10). Asimismo, los ganchos que estén abiertos al grado de que la cerradura no se acople con la punta deben reemplazarse. Todo gancho torcido o que tenga una abertura excesiva en la garganta indica

abuso o sobrecarga del polipasto. Deben inspeccionarse otras piezas que sostengan carga por si tuvieran daños.

Verifique que la cerradura no esté dañada o doblada y que funcione adecuadamente. Debe tener suficiente presión de resorte para mantenerse contra la punta del gancho y permitir que regrese a la punta cuando se libere. Si la cerradura no funciona adecuadamente, reemplácela.

Debe usarse el siguiente cuadro para determinar el momento de reemplazar el gancho.

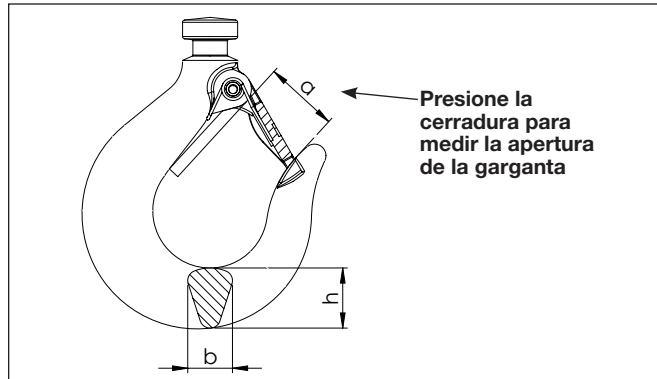


Figura 5 - Inspección del gancho

Capacidad del polipasto (toneladas)	Dimensiones en pulgadas (mm)					
	"a" Est.	"a" Máx.	"b" Est.	"b" Mín.	"h" Est.	"h" Mín.
0.75	1.06 (27)	1.17 (29.7)	.59 (15)	.56 (14.3)	.79 (20)	.75 (19)
1.0	1.14 (29)	1.25 (31.9)	.75 (19)	.71 (18.1)	.86 (22)	.82 (20.9)
1.5	1.26 (32)	1.38 (35.2)	.77 (19.5)	.73 (18.5)	1.03 (26.2)	.98 (24.9)
2.0	1.37 (35)	1.51 (38.5)	.86 (22)	.82 (20.9)	1.18 (30)	1.12 (28.5)
3.0	1.57 (40)	1.73 (44)	1.10 (28)	1.01 (26.6)	1.44 (36.6)	1.37 (34.8)
6.0	1.73 (44)	1.90 (48.4)	1.26 (32)	1.19 (30.4)	1.76 (44.8)	1.68 (42.6)

CADENA DE CARGA

La cadena debe alimentarse suavemente hacia y desde el polipasto. Si la cadena se dobla, salta o hace mucho ruido, primero límpiela y lubríquela (vea la página 8). Si persiste el problema, inspeccione la cadena y las piezas con las que se acopla por si hubiera desgaste, distorsión u otros daños.

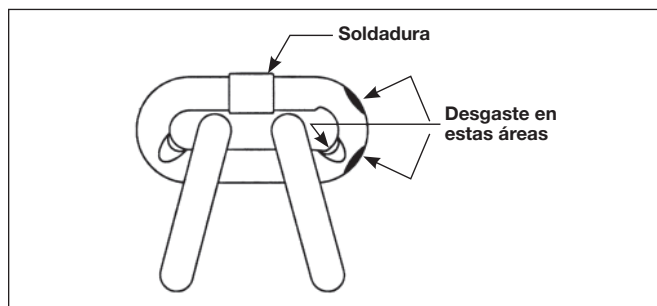


Figura 6 - Inspección de la cadena

INSPECCIÓN DE LA CADENA

Limpie primero la cadena con un solvente no cáustico/no ácido e inspeccione eslabón por eslabón por si hubiera muescas, ranuras, torceduras, salpicaduras de soldadura, picaduras por corrosión, estricciones (líneas paralelas diminutas), grietas en las áreas de soldadura, desgaste y estiramiento. Una cadena que tenga cualquiera de estos defectos debe reemplazarse.

Deje holgura en la parte de la cadena que normalmente pasa por la rueda de izamiento. Examine el área entre eslabones para ver el punto con desgaste máximo (pulido). Mida y registre el diámetro del material en este punto del eslabón. Luego mida el diámetro del material en la misma

área del eslabón que no pasa por la rueda de izamiento (use el eslabón junto al tope de cadena para este fin). Compare las dos mediciones. Si el diámetro del material en el eslabón desgastado es de 0,010 pulg. (0,254 mm) o más, menos que el diámetro del material del eslabón sin desgaste, debe reemplazarse la cadena.

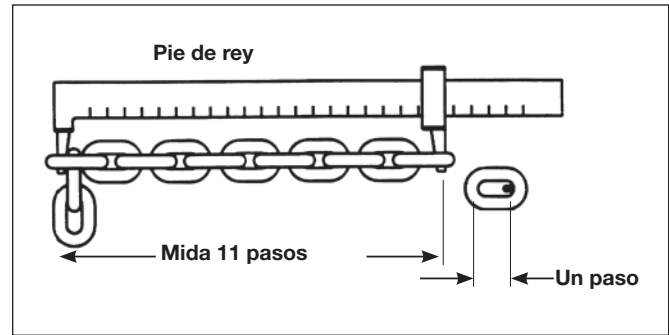


Figura 7 - Inspección de la cadena

Revise también el estiramiento de la cadena con un pie de rey, como se muestra en la Figura 7. Seleccione una sección de la cadena sin usar y sin estirar (por lo general, en el extremo suelto) y mida y registre la longitud en 11 eslabones de cadena (pasos). Mida y registre la misma longitud de una sección de la cadena que esté desgastada.

Si el resultado (la cantidad de estiramiento y desgaste) es mayor a 0,145 pulg. (3,7 mm), debe reemplazarse la cadena.

Use solo un medidor "con borde de navaja" para eliminar la posibilidad de lecturas falsas por no medir la longitud total del paso.

ADVERTENCIA

Si se usa otra cadena de carga que no sea la suministrada con el CM® Serie 653-A, es posible que la cadena se atore en el polipasto o que se rompa y que la carga se caiga.

PARA EVITAR LESIONES:

Debido a los requisitos de tamaño y a las propiedades físicas, use solo la cadena de carga suministrada con el CM® Serie 653-A en el polipasto de palanca CM® Serie 653-A.

Tome en cuenta que una cadena desgastada puede ser un indicio de que los componentes del polipasto están desgastados. Por esta razón, el marco del polipasto, el separador y la rueda de izamiento deben examinarse para ver si están desgastados y deben reemplazarse, según sea necesario, al reemplazar la cadena desgastada (vea DESMONTAJE y MONTAJE).

Asimismo, la cadena de carga tiene un tratamiento especial térmico y de templeado y nunca debe repararse.

IMPORTANTE: No use la cadena reemplazada para otros fines, como izamiento o estiramiento. La cadena de carga puede romperse repentinamente sin que exista una deformación visible. Por esta razón, corte la cadena reemplazada en tramos cortos para evitar que se use después de desecharla.

LUBRICACIÓN DE LA CADENA

Una pequeña cantidad de lubricante aumentará considerablemente la vida útil de la cadena de carga. No permita que la cadena funcione en seco. Manténgala limpia y lubríquela a intervalos regulares con aceite para barras y cadenas 10-R Lubriplate® (Fiske Bros. Refining Co.) o con un lubricante equivalente. Normalmente, una lubricación y limpieza por semana es una práctica satisfactoria, pero en condiciones de calor y suciedad, tal vez sea necesario limpiar la cadena por lo menos una vez al día y lubrificarla varias veces entre una limpieza y otra.

ADVERTENCIA

Los aceites de motor usados contienen materiales cancerígenos.

PARA EVITAR LESIONES:

Nunca use aceites de motor usados como lubricantes de cadena. Use solo el aceite para barras y cadenas 10-R Lubriplate® como lubricante para la cadena de carga.

Cuando lubrique la cadena, aplique suficiente lubricante para obtener un escurrimiento natural y una cobertura total, en especial, en el área entre los eslabones.

Normalmente, el polipasto no requiere lubricación adicional, excepto cuando se ha desmontado para llevar a cabo una limpieza o reparaciones.

IMPORTANTE: El freno está diseñado para funcionar seco. No use grasa ni lubricante alguno en las superficies de frenado.

⚠️ ADVERTENCIA

El uso de alguna grasa o lubricante sobre las superficies de frenado provocará el deslizamiento del freno y la pérdida de control de la carga, lo que podría provocar lesiones o daños a la propiedad.

PARA EVITAR LESIONES:

No use grasa ni lubricante alguno en las superficies de frenado. El freno está diseñado para funcionar seco.

Cuando lubrique piezas adyacentes al freno, no use una cantidad excesiva de lubricante que pudiera escurrirse hacia las superficies del freno.

Cuando se desmonte el polipasto para llevar a cabo una limpieza o reparaciones, deben lubricarse los siguientes puntos con aproximadamente 1 fl. oz. por polipasto de grasa Molykote BR-2-S (Dow Corning), Molytex #2 (Texaco) o TopMoly (Topsall) o un lubricante equivalente: bujes de la rueda de izamiento, exterior del eje de piñón, superficies de los bujes del bastidor y superficie de los bujes de la cubierta del engranaje. Asegúrese de limpiar meticulosamente estas piezas para retirar los restos de grasa usada antes de volver a lubricarlas.

IMPORTANTE: Para asegurar una larga vida útil y un máximo desempeño, asegúrese de lubricar las distintas piezas del polipasto con los lubricantes especificados anteriormente. Si lo desea, puede comprar estos lubricantes a Columbus McKinnon (vea la Figura 13 en la página 11).

DESMONTAJE Y MONTAJE

La ilustración de las piezas y la lista en la sección de piezas de reparación muestran la disposición general y el nombre de las piezas del polipasto de palanca CM® Serie 653-A. Se deben usar cuando desmonte y vuelva a montar las unidades, de manera tal que todas las piezas se instalen adecuadamente.

DESMONTAJE

Para reemplazar la rueda de izamiento o el separador, desmonte totalmente la unidad; retire la cadena (vea REEMPLAZO DE LA CADENA DE CARGA en la página 10) y luego retire lo siguiente: dos tornillos cilíndricos M5x25, tapa, tuerca de seguridad, arandela, arandela de control, manivela, resorte de presión, buje de anillo, tuercas cilíndricas, cubierta del freno, incluido el conjunto de la palanca, rueda de trinquete o conjunto de sobrecarga, conjunto del disco de trinquete, cubo del disco, conjunto de la placa lateral de la palanca, guías, separador.

Por el lado del engranaje, retire lo siguiente: tuercas cilíndricas, conjunto de la caja de engranajes, conjunto del engranaje recto, eje motriz, arandela del eje motriz, engranaje de carga, eje de gancho superior, conjunto de gancho superior.

MONTAJE

Antes de volver a montar, revise todas las piezas por si hubiera desgaste excesivo, grietas y distorsión. Regrese las piezas a su lugar, según sea necesario, y luego vuelva a montar la unidad en orden inverso al que se indicó anteriormente.

SINCRONIZACIÓN DEL ENGRANAJE

Al montar engranajes, deben orientarse con las marcas de sincronización orientadas como se muestra (use la figura "sincronización del engranaje"). Nota: Para las unidades de 1 tonelada y 1,5 toneladas, la orientación de los conjuntos de piñón/engranaje A y B no son pertinentes, siempre y cuando las marcas de sincronización se orienten como se muestra y se tenga un conjunto presente de cada uno (A y B).

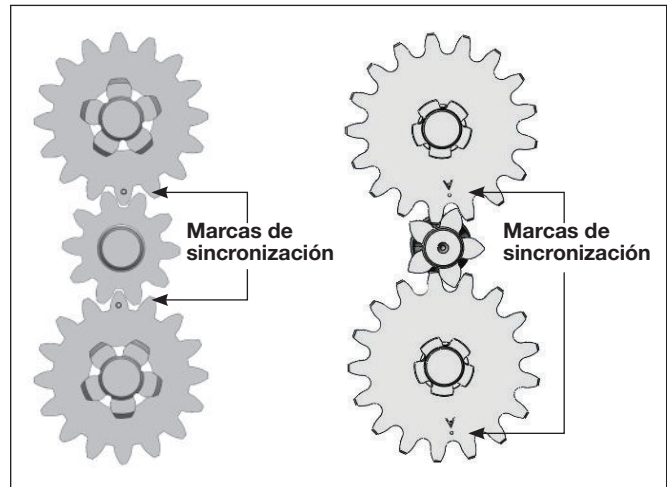
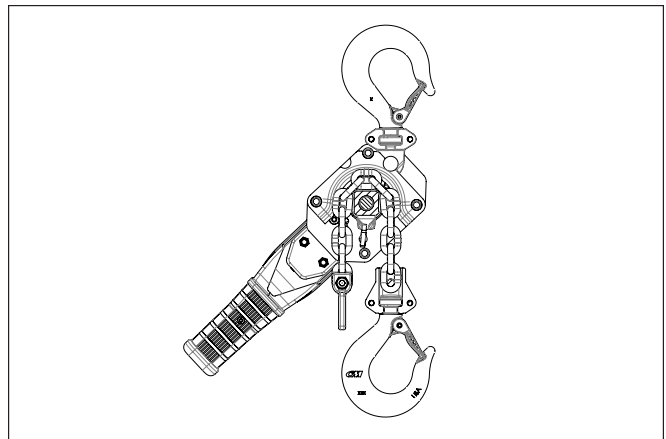


Figura 10 - Sincronización de engranajes (0,75, 1 y 1,5 toneladas)

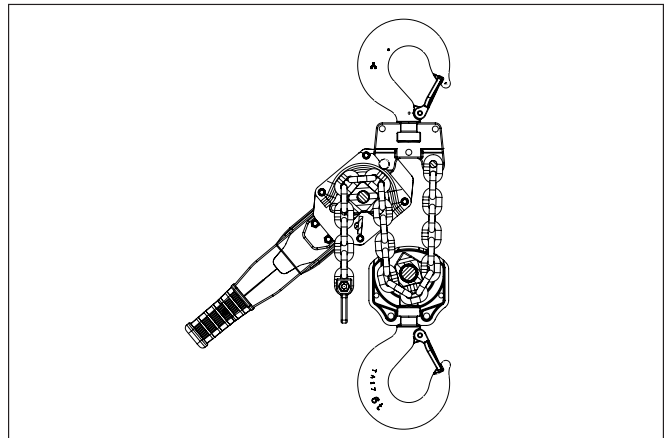
Figura 11 - Sincronización de engranajes (2, 3 y 6 toneladas)

REEMPLAZO DE LA CADENA DE CARGA

Para reemplazar la cadena de carga, retire el bloque del gancho inferior y el tope de cadena de la cadena. Mueva la palanca direccional a la posición "N" neutral y tire de la cadena usada para retirarla del polipasto. Pase un tramo de cable suave a través de un lado de la guía de la cadena y sobre la rueda de izamiento, hasta que salga por el otro lado de la guía de la cadena. Fije el cable al extremo de la cadena nueva. Coloque la cadena de manera tal que el primer eslabón que entre en la guía de la cadena sea un eslabón ascendente y las soldaduras de todos los eslabones ascendentes estén lejos de la rueda de izamiento. Tire del cable, hasta que la cadena se acople con la rueda de izamiento. Gire la perilla de cadena libre mientras tira del cable, hasta que la cadena salga de la guía de la cadena. Tire de la cadena y retire el cable. Fije el bloque del gancho inferior a la cadena que esté directamente por debajo del gancho superior.



Instalación de la cadena de una caída (0.75 - 3 Tonne)



Instalación de la cadena de doble caída (6 Tonne)

PIEZAS DE REPUESTO RECOMENDADAS

Conjunto del disco de trinquete
 Juego de cerradura
 Conjunto de gancho superior e inferior

ADVERTENCIA

Las alteraciones o modificaciones del equipo y el uso de piezas de repuesto para polipastos de palanca CM® Serie 653-A pueden provocar un funcionamiento peligroso y lesiones.

PARA EVITAR LESIONES:

No altere ni modifique el equipo. Utilice solamente piezas de repuesto suministradas para el CM® Serie 653-A.

MANTENIMIENTO PREVENTIVO

Además de los procedimientos de inspección, debe establecerse un programa de mantenimiento preventivo para prolongar la vida útil del polipasto y mantener su confiabilidad y uso seguro continuo. El programa debe incluir las inspecciones periódicas con atención especial a la lubricación de diversos componentes utilizando los lubricantes recomendados (vea la Figura 13).

PRUEBAS

Antes del uso inicial, el usuario debe probar el funcionamiento adecuado de todos los polipastos reparados o usados que no se hayan puesto en funcionamiento en los últimos 12 meses. Pruebe primero la unidad sin carga y luego con una carga ligera de 100 libras (45 kg) por el número de piezas que soportan carga de la cadena de carga, para estar seguro de que funciona adecuadamente y de que el freno resiste la carga cuando se suelta la palanca; luego pruebe con una carga del 125% de su capacidad nominal.

Además, los polipastos donde las piezas que sostengan la carga se hayan reemplazado deben probarse con el 125% de su capacidad nominal bajo la dirección de una persona designada y debe prepararse un informe por escrito para fines de registro.

NOTA: Si desea información adicional sobre inspección y pruebas, consulte la norma ASME B30.21 "Polipastos accionados por palanca manual" que puede obtener en ASME Order Department, 22 Law Drive, Box 2300, Fairfield, NJ 07007-2300, U.S.A.

INFORME DE INSPECCIÓN			
ELEMENTO	COMENTARIOS (LISTA DE DEFECTOS Y MEDIDAS RECOMENDADAS)		
Firma del inspector	Fecha de la inspección	Aprobado por	Fecha

Figura 12 - Informe del inspector recomendado

PROGRAMA DE LUBRICACIÓN RECOMENDADO* POLIPASTOS MANUALES DE PALANCA CM® Serie 653-A					
COMPONENTE	TIPO DE LUBRICANTE	N.º DE PIEZA PARA PEDIDO	TIPO DE SERVICIO Y FRECUENCIA DE LUBRICACIÓN		
Cadena de carga	Aceite (vea la página 8)	28619 (lata de 1 gal.)	ABUNDANTE	NORMAL	POCO FRECUENTE
			Diaria	Semanal	Mensual
Engranajes, bujes, bujes de la rueda de izamiento y eje de piñón	Grasa (vea la página 8)	28618 (lata de 1 lb)	Cuando se desmonte el polipasto para limpieza o reparación		

(*) Este programa de lubricación se basa en un polipasto que funciona en condiciones ambientales normales. Los polipastos que funcionan en condiciones atmosféricas adversas, con calor excesivo, emisiones o vapores corrosivos, polvo abrasivo, etc. deben lubricarse con más frecuencia.

Figura 13 - Programa de lubricación recomendado

ESPAÑOL

MANTENIMIENTO (CONTINUACIÓN)

LISTADO DE VERIFICACIÓN DE INSPECCIÓN Y MANTENIMIENTO POLIPASTO MANUAL DE PALANCA

Tipo de polipasto _____ Capacidad (toneladas) _____
 Ubicación _____ Fecha de instalación original _____
 Fabricante _____ N.º de serie del fabricante _____

ESPAÑOL

Elemento	Frecuencia de la inspección		Posibles defectos	OK	Medida requerida
	Frecuente	Periódica			
	Diaria	Cada 3 meses o cada año, según se defina en la norma ASME B30.21			
Mecanismo de freno	*	*	Deslizamiento o exceso de derivación. Discos de fricción desgastados, vidriados o contaminados. Espesor del conjunto de trinquete del freno menor a 7 mm		
Palanca direccional	*	*	Se adhiere y no se mueve con libertad.		
Mango retráctil	*	*	Posibles defectos: se adhiere y no se mueve con libertad. Grietas, distorsión, desgaste excesivo, corrosión o acumulación de materiales extraños.		
Cadena de carga	*	*	Lubricación inadecuada, desgaste o estiramiento excesivo, eslabones agrietados, dañados o torcidos, corroida o tapada con materiales extraños.		
Ganchos	*	*	Apertura excesiva de la garganta, cerradura del gancho torcida, dañada o sin funcionar, daños por productos químicos. Grietas (use tinte penetrante, imán u otro método de detección conveniente, por lo menos, una vez al año).		
Bloque del gancho inferior, bloque del gancho superior, conector del gancho superior, guía de la cadena, bujes, engranajes, piñón y cubo de fricción		*	Grietas, distorsión, desgaste excesivo, corrosión o acumulación de materiales extraños.		
Punta de gatillos y dientes de gatillo de palanca del trinquete y trinquete de palanca		*	Grietas, distorsión, desgaste excesivo, corrosión o acumulación de materiales extraños.		
Cavidades de la rueda de izamiento, separador y placas laterales		*	Grietas, distorsión, desgaste excesivo, corrosión o acumulación de materiales extraños.		
Tuercas, pernos, conectores y remaches		*	Grietas, flexión, roscas sueltas, desferradas.		
Resortes de gatillo, resorte de gatillo direccional y resorte		*	Corrosión, estirados o rotos.		
Tope de la cadena		*	Faltante, agrietado, no asegurado a la cadena, no posicionado adecuadamente.		
Etiquetas de la placa de identificación y de advertencia y cadena libre		*	Faltantes, dañadas o ilegibles.		

NOTA: Consulte las secciones de Mantenimiento e Inspección de este manual para obtener más detalles.

FRECUENCIA DE LA INSPECCIÓN

Frecuente: indica elementos que requieren inspección diaria o antes de cada uso. El operador puede realizar estas inspecciones si ha sido correctamente designado para ello.

Periódica: indica elementos que requieren la inspección cada tres meses. Inspecciones que debe realizar una persona correctamente designada o alguien que trabaje bajo las instrucciones de dicha persona. El período de inspección exacto dependerá de la frecuencia y del tipo de uso. La experiencia del usuario determinará este período. Se recomienda que el usuario comience con una inspección trimestral y que amplíe los períodos, hasta que la inspección sea semestral o anual, según la experiencia trimestral del usuario.

NOTA: Este listado de verificación de inspección y mantenimiento coincide con nuestra interpretación de la norma de seguridad para polipastos de palanca ASME B30.21. Sin embargo, es responsabilidad última del empleador o usuario interpretar y cumplir con los requisitos aplicables de esta norma de seguridad.

Figura 14 - Listado de verificación recomendado de inspección y mantenimiento

CUADRO DE DIAGNÓSTICO DE PROBLEMAS

Síntoma	Causas posibles	Medida correctiva
Es difícil accionar el polipasto en cualquier dirección.	1. La cadena de carga se ha desgastado hasta formar una ranura, por lo cual, se adhiere entre la rueda de izamiento y la guía de la cadena.	1. Verifique la cadena (vea la página 7) y reemplácela si está demasiado desgastada.
	2. La cadena de carga está oxidada, corroída o tapada con material extraño, como cemento o lodo.	2. Limpie la cadena con un pulido de tambor o con un solvente no cáustico y no ácido. Verifique que la cadena no tenga ranuras, daños o eslabones doblados. Lubrique con aceite para barras y cadenas Lubriplate® 10-R (Fiske Bros. Refining Co.) o con un lubricante equivalente.
	3. Bujes tapados con material como cemento o polvo.	3. Desarme y limpie los bujes de la rueda de izamiento y los bujes en la cubierta del engranaje y en la placa lateral (en el engranaje). Toda pieza con desgaste excesivo debe reemplazarse.
	4. Adhesión en la palanca.	4. Limpie y retire cualquier material extraño que pueda haber entre la palanca y la cubierta del freno.
	5. Piezas del freno corroídas o tapadas con material extraño.	5. Desmonte el freno y limpie meticulosamente (use un paño, no lave con un solvente). Reemplace el conjunto del trinquete si está demasiado gomoso, desgastado o rayado. Mantenga las superficies del freno limpias y secas.
	6. Cavidades de la rueda de izamiento tapadas con material extraño o desgastadas excesivamente, lo que hace que la cadena se adhiera entre la rueda de izamiento y la guía de la cadena.	6. Limpie las cavidades y úselas si no están demasiado desgastadas. Si las cavidades están desgastadas, reemplace la rueda de izamiento.
	7. Rueda de izamiento torcida o doblada, dientes del engranaje doblados.	7. Se ha aplicado una sobrecarga excesiva. Reemplace las piezas dañadas.
Es difícil accionar el polipasto en dirección descendente.	1. Piezas del freno corroídas o tapadas con material extraño.	1. Desmonte el freno y limpie meticulosamente (use un paño, no lave con un solvente). Reemplace el conjunto del trinquete si está demasiado gomoso, desgastado o rayado. Mantenga las superficies del freno limpias y secas.
	2. Adhesión de la cadena.	2. Verifique la cadena (vea la página 7) y reemplácela si está demasiado desgastada. Limpie la cadena con un pulido de tambor o con un solvente no cáustico y no ácido. Verifique que la cadena no tenga ranuras, daños o eslabones doblados. Lubrique con aceite para barras y cadenas Lubriplate® 10-R (Fiske Bros. Refining Co.) o con un lubricante equivalente.
Es difícil accionar el polipasto en dirección ascendente.	1. Adhesión de la cadena.	1. Verifique la cadena (vea la página 7) y reemplácela si está demasiado desgastada. Limpie la cadena con un pulido de tambor o con un solvente no cáustico y no ácido. Verifique que la cadena no tenga ranuras, daños o eslabones doblados. Lubrique con aceite para barras y cadenas Lubriplate® 10-R (Fiske Bros. Refining Co.) o con un lubricante equivalente.
	2. Sobrecarga.	2. Reduzca la carga o use la unidad con la capacidad correcta.

LISTADO DE PIEZAS DE REPUESTO

ADVERTENCIA

El uso de piezas "comerciales" o de otro fabricante para reparar el CM® Serie 653-A podría ocasionar la pérdida de la carga.

PARA EVITAR LESIONES:

Use solamente piezas de repuesto suministradas por CM. Las piezas podrían ser parecidas, pero las piezas de CM están fabricadas con materiales específicos o procesadas para obtener propiedades específicas.

**PARTS
STAR**
BY COLUMBUS MCKINNON

INSTRUCCIONES PARA REALIZAR PEDIDOS

La información siguiente debe acompañar todos los pedidos de piezas de repuesto que se envíen por correspondencia:

1. Número de modelo del polipasto, que se encuentra en la placa de identificación.
2. Número de serie del polipasto, que se encuentra estampado debajo de la placa de identificación.
3. Longitud del izamiento.
4. Número de pieza en la lista de piezas.
5. Cantidad de piezas requeridas.
6. Nombre de pieza en la lista de piezas.

NOTA: Al ordenar piezas de repuesto, recomendamos que tome en cuenta la necesidad de ordenar también artículos tales como tuercas, pernos, clavijas, etc. Estos artículos podrían dañarse o perderse durante el montaje o simplemente no ser aptos para un uso futuro, debido al deterioro por desgaste o uso.

POLIPASTO MANUAL DE PALANCA CM® SERIE 653-A

Número de pieza	Número de manual	Descripción	Cant.
653A-0001		653-A JUEGO DE ENGRANAJE PARA MODELO DE 0.75T	
-	15	ENGRANAJE DE CARGA	1
-	16	CONJUNTO DE ENGRANAJE RECTO	2
-	17	ARANDELA DEL EJE MOTRIZ	1
-	8	EJE MOTRIZ	1
653A-0002		653-A JUEGO DE ENGRANAJE PARA MODELO DE 1T & 1.5T	
-	15	CONJUNTO DE ENGRANAJE RECTO 'A'	1
-	16	CONJUNTO DE ENGRANAJE RECTO 'B'	1
-	17	ARANDELA DEL EJE MOTRIZ	1
-	19	ENGRANAJE DE CARGA	1
-	8	EJE MOTRIZ	1
653A-0003		653-A JUEGO DE ENGRANAJE PARA MODELO DE 2T, 3T & 6T	
-	18	ENGRANAJE DE CARGA	1
-	16	CONJUNTO DE ENGRANAJE RECTO	2
-	22	ARANDELA DEL EJE MOTRIZ	1
-	8	EJE MOTRIZ	1
BAN-0010		JUEGO DE POLEA DE CARGA PARA MODELO DE 0.75T	
-	18	POLEA DE CARGA	1
-	17	ARANDELA DEL EJE MOTRIZ	1
BAN-0011		JUEGO DE POLEA DE CARGA PARA MODELO DE 1T & 1.5T	
-	18	POLEA DE CARGA	1
-	17	ARANDELA DEL EJE MOTRIZ	1
BAN-0012		JUEGO DE POLEA DE CARGA PARA MODELO DE 2T, 3T & 6T	
-	17	POLEA DE CARGA	1
-	20	COJINETE DE ENGRANAJES DE CARGA	2
653A-0020		653-A JUEGO DE PLACA LATERAL DE ENGRANAJE PARA MODELO DE 0.75T	
-	1	PLACA LATERAL DE ENGRANAJE; CONJUNTO	1
-	22	TORNILLO DE CABEZA DE BOTÓN	1
653A-0021		653-A JUEGO DE PLACA LATERAL DE ENGRANAJE PARA MODELO DE 1T & 1.5T	
-	1	PLACA LATERAL DE ENGRANAJE; CONJUNTO	1
-	23	TORNILLO DE CABEZA DE BOTÓN	1
653A-0022		653-A JUEGO DE PLACA LATERAL DE ENGRANAJE PARA MODELO DE 2T, 3T & 6T	
-	1	PLACA LATERAL DE ENGRANAJE; CONJUNTO	1
-	23	TORNILLO DE CABEZA DE BOTÓN	1
-	20	COJINETE ELEVACIÓN (ANILLO + RODILLOS EXTERNOS)	2
653A-0023		653-A JUEGO DE PLACA LATERAL DE PALANCA PARA MODELO DE 0.75T	
-	22	TORNILLO DE CABEZA DE BOTÓN	1
-	2	PLACA LATERAL DE PALANCA, CONJUNTO	1
653A-0024		653-A JUEGO DE PLACA LATERAL DE PALANCA PARA MODELO DE 1T & 1.5T	
-	23	TORNILLO DE CABEZA DE BOTÓN	1
-	2	PLACA LATERAL DE PALANCA, CONJUNTO	1
653A-0025		653-A JUEGO DE PLACA LATERAL DE PALANCA PARA MODELO DE 2T, 3T & 6T	
-	12	TORNILLO CILÍNDRICO PARA M8 - 13 X 22	4
-	23	TORNILLO DE CABEZA DE BOTÓN	1
-	20	COJINETE ELEVACIÓN (ANILLO + RODILLOS EXTERNOS)	2

Número de pieza	Número de manual	Descripción	Cant.
653A-0030		653-A JUEGO DE SEPARADOR PARA MODELO DE 0.75T	
-	13	GUÍA DE LA CADENA	1
-	14	SEPARADOR	1
653A-0031		653-A JUEGO DE SEPARADOR PARA MODELO DE 1T & 1.5T	
-	13	GUÍA DE LA CADENA	1
-	14	SEPARADOR	1
653A-0032		653-A JUEGO DE SEPARADOR PARA MODELO DE 2T, 3T & 6T	
-	13	GUÍA DE LA CADENA	1
-	14	SEPARADOR	1
653A-0040		653-A KIT DE ENGRANAJES DE LEVAS PARA UNIDAD DE KIT 0.75T	
-	12	BUJE	1
-	6	ENGRANAJE INVERSOR	1
653A-0041		653-A KIT DE ENGRANAJES DE LEVAS PARA UNIDAD DE KIT 1T & 1.5T	
-	6	ENGRANAJE INVERSOR	1
653A-0042		653-A KIT DE ENGRANAJES DE LEVAS PARA UNIDAD DE 2T, 3T & 6T	
-	12	BUJE	1
-	6	ENGRANAJE INVERSOR	1
653A-0050		653-A KIT DE MANIVELA PARA UNIDAD DE 0.75T, 1T & 1.5T	
-	11	RESORTE DE PRESIÓN	1
-	20	RESORTE DE GATILLO	2
653A-0051		653-A KIT DE MANIVELA PARA UNIDAD DE 2T, 3T & 6T	
-	11	RESORTE DE PRESIÓN	1
-	15	RESORTE DE GATILLO	2
TOR-0050		653-A TOPE DE LA CADENA PARA 0.75T	
-	31	ANILLO DE BLOQUEO	1
-	34	TORNILLO PARA ANILLO DE BLOQUEO	1
-	35	M6 TUERCA DE BLOQUEO	1
TOR-0051		653-A TOPE DE LA CADENA PARA 1T & 1.5T	
-	38	ANILLO DE BLOQUEO	1
-	41	TORNILLO PARA ANILLO DE BLOQUEO	1
-	42	M8 TUERCA DE BLOQUEO	1
TOR-0052		653-A TOPE DE LA CADENA PARA 2T & 3T	
-	32	ANILLO DE BLOQUEO	1
-	35	TORNILLO PARA ANILLO DE BLOQUEO	1
-	36	M10 TUERCA DE BLOQUEO	2
TOR-0052		653-A TOPE DE LA CADENA PARA 6T	
-	32	ANILLO DE BLOQUEO	1
-	35	TORNILLO PARA ANILLO DE BLOQUEO	1
-	37	M10 TUERCA DE BLOQUEO	1
653A-0070		653-A KIT DE RESORTE PARA UNIDAD DE 0.75T, 1T & 1.5T	
-	9	CUBO DE DISCO	1
-	10	CONJUNTO DE DISCO DE TRINQUETE	1
-	11	PRESSURE SPRING	1
653A-0071		653-A KIT DE RESORTE PARA UNIDAD DE 2T, 3T & 6T	
-	9	CUBO DE DISCO	1
-	10	CONJUNTO DE DISCO DE TRINQUETE	1
-	11	PRESSURE SPRING	1

ESPAÑOL

POLIPASTO MANUAL DE PALANCA CM® SERIE 653-A

ESPAÑOL

Número de pieza	Número de manual	Descripción	Cant.
653A-0080		653-A JUEGO DE CUBIERTA DE FRENO PARA 0.75T	
-	4	CUBIERTA DEL FRENO; TERMINADA	1
-	24	M8 TUERCA DE BLOQUEO	4
653A-0081		653-A JUEGO DE CUBIERTA DE FRENO PARA 1T & 1.5T	
-	4	CUBIERTA DEL FRENO; TERMINADA	1
-	25	M8 TUERCA DE BLOQUEO	4
653A-0082		653-A JUEGO DE CUBIERTA DE FRENO PARA 2T, 3T & 6T	
-	4	CUBIERTA DEL FRENO; TERMINADA	1
-	26	M8 TUERCA DE BLOQUEO	4
653A-0083		653-A JUEGO DE CUBIERTA DE ENGRANAJE PARA 0.75T	
-	3	CUBIERTA DEL ENGRANAJE	1
-	24	M8 TUERCA DE BLOQUEO	4
653A-0084		653-A JUEGO DE CUBIERTA DE ENGRANAJE PARA 1T & 1.5T	
-	3	CUBIERTA DEL ENGRANAJE	1
-	25	M8 TUERCA DE BLOQUEO	4
653A-0085		653-A JUEGO DE CUBIERTA DE ENGRANAJE PARA 2T, 3T & 6T	
-	3	CUBIERTA DEL ENGRANAJE	1
-	26	M8 TUERCA DE BLOQUEO	4
653A-0090		653-A JUEGO DE HERRAJES PARA 0.75T	
-	27	E-CLIP	2
-	25	M6 TUERCA DE BLOQUEO	2
-	23	TORNILLO CILÍNDRICO	2
-	24	M8 TUERCA DE BLOQUEO	9
-	26	ARANDELA SEGÚN	1
-	22	BUTTON HEAD SCREW	1
653A-0090		653-A JUEGO DE HERRAJES PARA 1T & 1.5T	
-	28	E-CLIP	2
-	26	M6 TUERCA DE BLOQUEO	2
-	24	TORNILLO CILÍNDRICO	2
-	25	M8 TUERCA DE BLOQUEO	9
-	27	ARANDELA SEGÚN	1
-	23	TORNILLO DE CABEZA DE BOTÓN	1
653A-0091		653-A JUEGO DE HERRAJES PARA 2T, 3T & 6T	
-	28	E-CLIP	2
-	25	LOCK NUT M10	1
-	24	TORNILLO CILÍNDRICO	2
-	26	M8 TUERCA DE BLOQUEO	10
-	27	ARANDELA SEGÚN	1
-	23	TORNILLO DE CABEZA DE BOTÓN	1
-	22	ARANDELA DEL EJE MOTRIZ	1
653A-0100		653-A PAWL KIT 0.75T	
-	20	RESORTE DE GATILLO	2
-	21	GATILLO	2
-	27	E-CLIP	2
653A-0100		653-A JUEGO DE GATILLO PARA 1T & 1.5T	
-	20	RESORTE DE GATILLO	2
-	21	GATILLO	2
-	28	E-CLIP	2

Número de pieza	Número de manual	Descripción	Cant.
653A-0101		653-A JUEGO DE GATILLO PARA 2T, 3T & 6T	
-	15	RESORTE DE GATILLO	2
-	21	GATILLO	2
-	28	E-CLIP	2
653A-0110		653-A HANDWHEEL KIT 0.75T, 1T & 1.5T	
-	23	TORNILLO CILÍNDRICO	2
-	7	MANIVELA	1
-	12	BUJE	1
-	26	ARANDELA SEGÚN	1
-	10	ENGRANAJE INVERSOR	1
-	24	M8 TUERCA DE BLOQUEO	1
653A-0110		653-A JUEGO DE MANIVELA PARA 1T & 1.5T	
-	24	TORNILLO CILÍNDRICO	2
-	7	MANIVELA	1
-	12	BUJE	1
-	27	ARANDELA SEGÚN	1
-	10	ENGRANAJE INVERSOR	1
-	25	M8 TUERCA DE BLOQUEO	1
653A-0111		653-A JUEGO DE MANIVELA PARA 2T, 3T & 6T	
-	24	TORNILLO CILÍNDRICO	2
-	7	MANIVELA	1
-	12	BUJE	1
-	27	ARANDELA SEGÚN	1
-	10	ENGRANAJE INVERSOR	1
-	25	M8 TUERCA DE BLOQUEO	1
BAN-0120		"653-A JUEGO DE CONJUNTO DE GANCHO SUPERIOR PARA 0.75T"	
-	28	CONJUNTO DE GANCHO SUPERIOR	1
653A-0120		"653-A JUEGO DE CONJUNTO DE GANCHO SUPERIOR PARA 1T"	
-	29	CONJUNTO DE GANCHO SUPERIOR	1
BAN-0121		"653-A JUEGO DE CONJUNTO DE GANCHO SUPERIOR PARA 1.5T"	
-	29	CONJUNTO DE GANCHO SUPERIOR	1
653A-0121		"653-A JUEGO DE CONJUNTO DE GANCHO SUPERIOR PARA 2T"	
-	29	CONJUNTO DE GANCHO SUPERIOR	1
BAN-0122		"653-A JUEGO DE CONJUNTO DE GANCHO SUPERIOR PARA 3T"	
-	29	CONJUNTO DE GANCHO SUPERIOR	1
BAN-0123		"653-A JUEGO DE CONJUNTO DE GANCHO SUPERIOR PARA 6T"	
-	29	CONJUNTO DE GANCHO SUPERIOR	1
BAN-0130		"653-A JUEGO DE CONJUNTO DE GANCHO INFERIOR PARA 0.75T"	
-	29	JUEGO DE CONJUNTO DE GANCHO INFERIOR (INCL. 30, 33 + 35)	1
-	33	PERNO PARA CADENA DE GANCHO INFERIOR	1
-	30	JUEGO DE CERRADURA	2
-	35	M6 TUERCA DE BLOQUEO	2

POLIPASTO MANUAL DE PALANCA CM® SERIE 653-A

Número de pieza	Número de manual	Descripción	Cant.
653A-0130		653-A JUEGO DE CONJUNTO DE GANCHO INFERIOR PARA 1T	
-	30	JUEGO DE CONJUNTO DE GANCHO INFERIOR (INCL. 34 + 36)	1
-	34	PERNO PARA CADENA DE GANCHO INFERIOR	1
-	31	JUEGO DE CERRADURA	2
-	36	M8 TUERCA DE BLOQUEO	2
BAN-0131		JUEGO DE CONJUNTO DE GANCHO INFERIOR PARA 1.5 TONNE	
-	30	JUEGO DE CONJUNTO DE GANCHO INFERIOR (INCL. 34 + 36)	1
-	34	PERNO PARA CADENA DE GANCHO INFERIOR	1
-	31	JUEGO DE CERRADURA	2
-	36	M8 TUERCA DE BLOQUEO	2
653A-0131		653-A JUEGO DE CONJUNTO DE GANCHO INFERIOR PARA 2T	
-	30	JUEGO DE CONJUNTO DE GANCHO INFERIOR (INCL. 34 + 36)	1
-	34	PERNO PARA CADENA DE GANCHO INFERIOR	1
-	31	JUEGO DE CERRADURA	2
-	36	M10 TUERCA DE BLOQUEO	2
BAN-0132		653-A JUEGO DE CONJUNTO DE GANCHO INFERIOR PARA KIT 3T	
-	30	JUEGO DE CONJUNTO DE GANCHO INFERIOR (INCL. 34 + 36)	1
-	34	PERNO PARA CADENA DE GANCHO INFERIOR	1
-	31	JUEGO DE CERRADURA	2
-	36	M10 TUERCA DE BLOQUEO	2
BAN-0133		653-A JUEGO DE CONJUNTO DE GANCHO INFERIOR PARA 6T	
-	30	JUEGO DE CONJUNTO DE GANCHO INFERIOR (INCL. 34 + 36)	1
-	34	PERNO PARA CADENA DE GANCHO INFERIOR	1
-	31	JUEGO DE CERRADURA	2
-	36	M12 TUERCA DE BLOQUEO	1
BAN-0141		653-A JUEGO DE AGARRE DE GOMA PARA KIT 1T, 1.5T 2T, 3T & 6T	
-	-	AGARRE DE GOMA	1
-	-	FIJACIÓN DE GOMA	1
-	-	TORNILLO DE FIJACIÓN	1
Piezas Disponibles Como Componentes Individuales			
0.75 Ton			
192051361	5	CONJUNTO DE MANGO PARA PALANCA (INCL. ETIQUETA DE NOMBRE)	1
00002034	19	EJE DE GANCHO SUPERIOR	1
192035181	N/A	ANILLO DE FIJACIÓN DE ETIQUETA DE ADVERTENCIA	1
192061167	N/A	ETIQUETA DE ADVERTENCIA	1
635121EN	32	5.6X17.1 MM CADENA DE CARGA	-
192051362	36	ETIQUETA DE NOMBRE	1
89033012	37	CONECTOR RANURADO DE CABEZA REDONDA SEGÚN	4
53820	30	JUEGO DE CERRADURA	2
N09108068	22	TORNILLO DE CABEZA DE BOTÓN	1
N09102257	23	TUERCA CILÍNDRICA	2
89022036	24	M8 TUERCA DE BLOQUEO	9
89022032	25	M6 TUERCA DE BLOQUEO	2

Número de pieza	Número de manual	Descripción	Cant.
N09121200	26	ARANDELA SEGÚN	1
N09123040	27	E-CLIP	2
1 Ton			
192063669	5	CONJUNTO DE MANGO PARA PALANCA (INCL. ETIQUETA DE NOMBRE)	1
00002137	20	EJE DE GANCHO SUPERIOR	1
192035181	N/A	ANILLO DE FIJACIÓN DE ETIQUETA DE ADVERTENCIA	1
192061167	N/A	ETIQUETA DE ADVERTENCIA	1
635128EN	33	7.1X21 MM CADENA DE CARGA	-
192063670	37	ETIQUETA DE NOMBRE	1
89033012	38	CONECTOR RANURADO DE CABEZA REDONDA SEGÚN	4
N00400450	31	JUEGO DE CERRADURA	2
N09108068	23	TORNILLO DE CABEZA DE BOTÓN	1
N09102257	24	TUERCA CILÍNDRICA	2
89022036	25	M8 TUERCA DE BLOQUEO	9
89022032	26	M6 TUERCA DE BLOQUEO	2
N09121200	27	ARANDELA SEGÚN	1
N09123040	28	E-CLIP	2
1.5 TON			
192051309	5	CONJUNTO DE MANGO PARA PALANCA (INCL. ETIQUETA DE NOMBRE)	1
00002137	20	EJE DE GANCHO SUPERIOR	1
192035181	N/A	ANILLO DE FIJACIÓN DE ETIQUETA DE ADVERTENCIA	1
192061167	N/A	ETIQUETA DE ADVERTENCIA	1
635128EN	33	7.1X21 MM CADENA DE CARGA	-
192051310	37	ETIQUETA DE NOMBRE	1
89033012	38	CONECTOR RANURADO DE CABEZA REDONDA SEGÚN	4
53821	31	JUEGO DE CERRADURA	2
N09108068	23	TORNILLO DE CABEZA DE BOTÓN	1
N09102257	24	TUERCA CILÍNDRICA	2
89022036	25	M8 TUERCA DE BLOQUEO	9
89022032	26	M6 TUERCA DE BLOQUEO	2
N09121200	27	ARANDELA SEGÚN	1
N09123040	28	E-CLIP	2
2 Ton			
192051685	5	CONJUNTO DE MANGO PARA PALANCA (INCL. ETIQUETA DE NOMBRE)	1
00002331	19	EJE DE GANCHO SUPERIOR	1
192035181	N/A	ANILLO DE FIJACIÓN DE ETIQUETA DE ADVERTENCIA	1
192061167	N/A	ETIQUETA DE ADVERTENCIA	1
85394L	33	10X28 MM CADENA DE CARGA	-
192063686	37	ETIQUETA DE NOMBRE	1
89033012	38	CONECTOR RANURADO DE CABEZA REDONDA SEGÚN	4
N00400451	31	JUEGO DE CERRADURA	2
N09108069	23	TORNILLO DE CABEZA DE BOTÓN	1
N09102257	24	TUERCA CILÍNDRICA	2
89022012	25	M10 TUERCA DE BLOQUEO	1
89022036	26	M8 TUERCA DE BLOQUEO	10
N09121045	27	ARANDELA SEGÚN	1
N09123046	28	E-CLIP	2

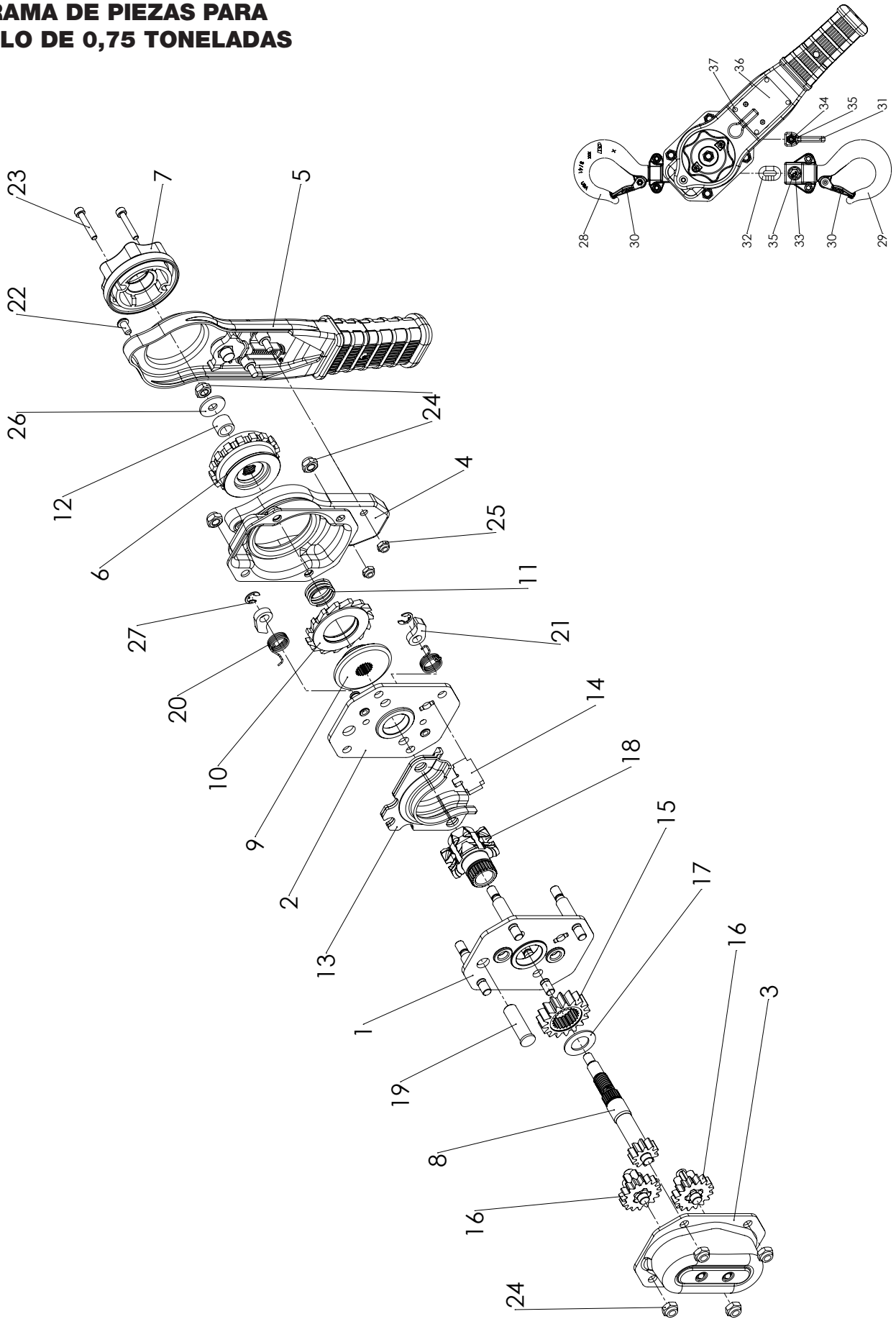
ESPAÑOL

POLIPASTO MANUAL DE PALANCA CM® SERIE 653-A

ESPAÑOL

Número de pieza	Número de manual	Descripción	Cant.
3 Ton			
192051465	5	CONJUNTO DE MANGO PARA PALANCA (INCL. ETIQUETA DE NOMBRE)	1
00002331	19	EJE DE GANCHO SUPERIOR	1
192035181	N/A	ANILLO DE FIJACIÓN DE ETIQUETA DE ADVERTENCIA	1
192061167	N/A	ETIQUETA DE ADVERTENCIA	1
85394L	33	10x28 mm CADENA DE CARGA	-
192051467	37	ETIQUETA DE NOMBRE	1
89033012	38	CONECTOR RANURADO DE CABEZA REDONDA SEGÚN	4
53822	31	JUEGO DE CERRADURA	2
N09108069	23	TORNILLO DE CABEZA DE BOTÓN	1
N09102257	24	TUERCA CILÍNDRICA	2
89022012	25	M10 TUERCA DE BLOQUEO	1
89022036	26	M8 TUERCA DE BLOQUEO	10
N09121045	27	ARANDELA SEGÚN	1
N09123046	28	E-CLIP	2
6 Ton			
192051821	5	CONJUNTO DE MANGO PARA PALANCA (incl. ETIQUETA DE NOMBRE)	1
00002331	19	ANILLO DE FIJACIÓN DE ETIQUETA DE ADVERTENCIA	1
192035181	N/A	SPLIT RING FOR WARNING TAG	1
192061167	N/A	ETIQUETA DE ADVERTENCIA	1
85394L	33	10x28 mm CADENA DE CARGA	-
192051820	38	ETIQUETA DE NOMBRE	1
89033012	39	CONECTOR RANURADO DE CABEZA REDONDA SEGÚN	4
53940	31	JUEGO DE CERRADURA	2
N09108069	23	TORNILLO DE CABEZA DE BOTÓN	1
N09102257	24	TUERCA CILÍNDRICA	2
89022012	25	M10 TUERCA DE BLOQUEO	1
89022036	26	M8 TUERCA DE BLOQUEO	10
N09121045	27	ARANDELA SEGÚN	1
N09123046	28	E-CLIP	2

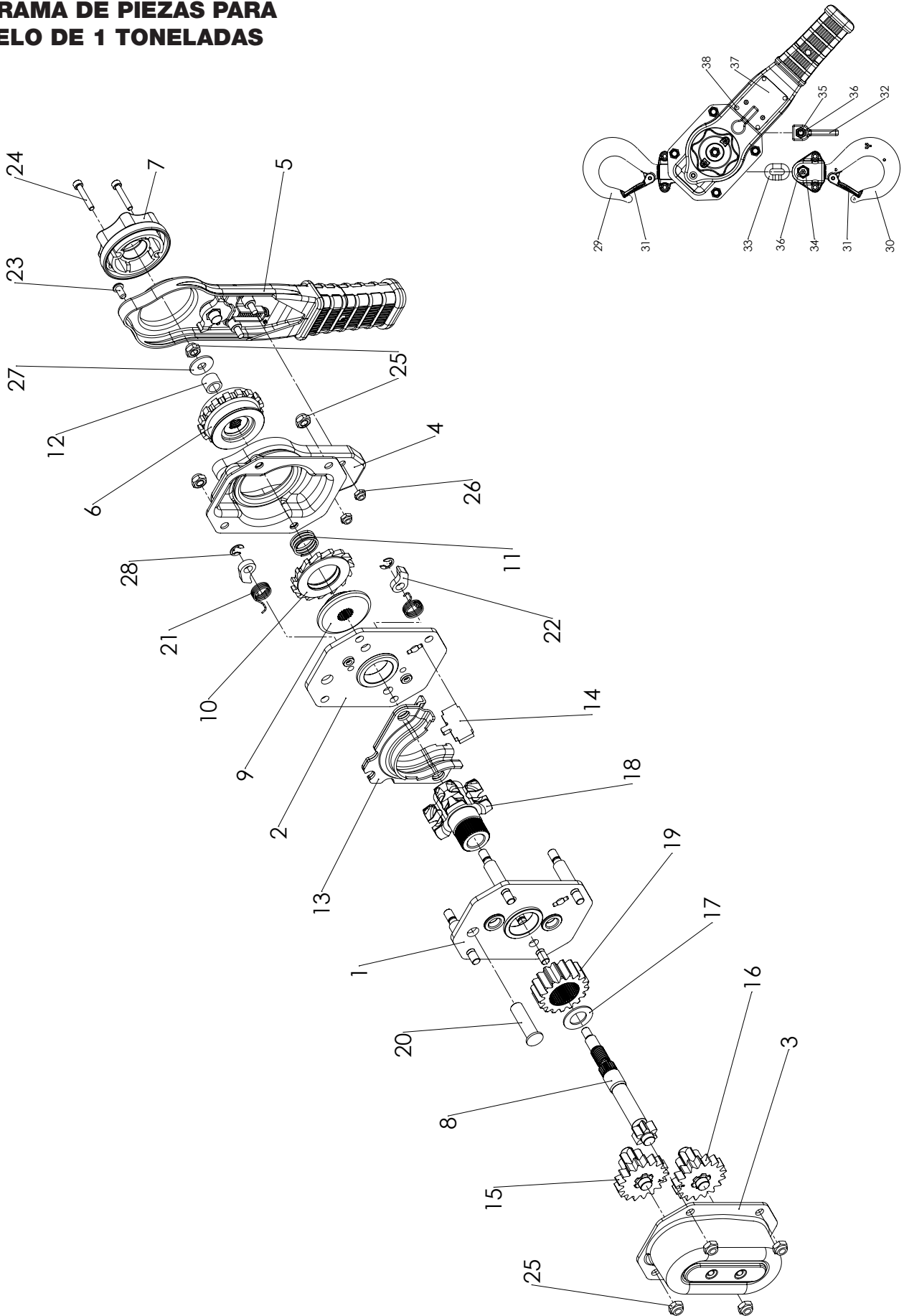
**DIAGRAMA DE PIEZAS PARA
MODELO DE 0,75 TONELADAS**



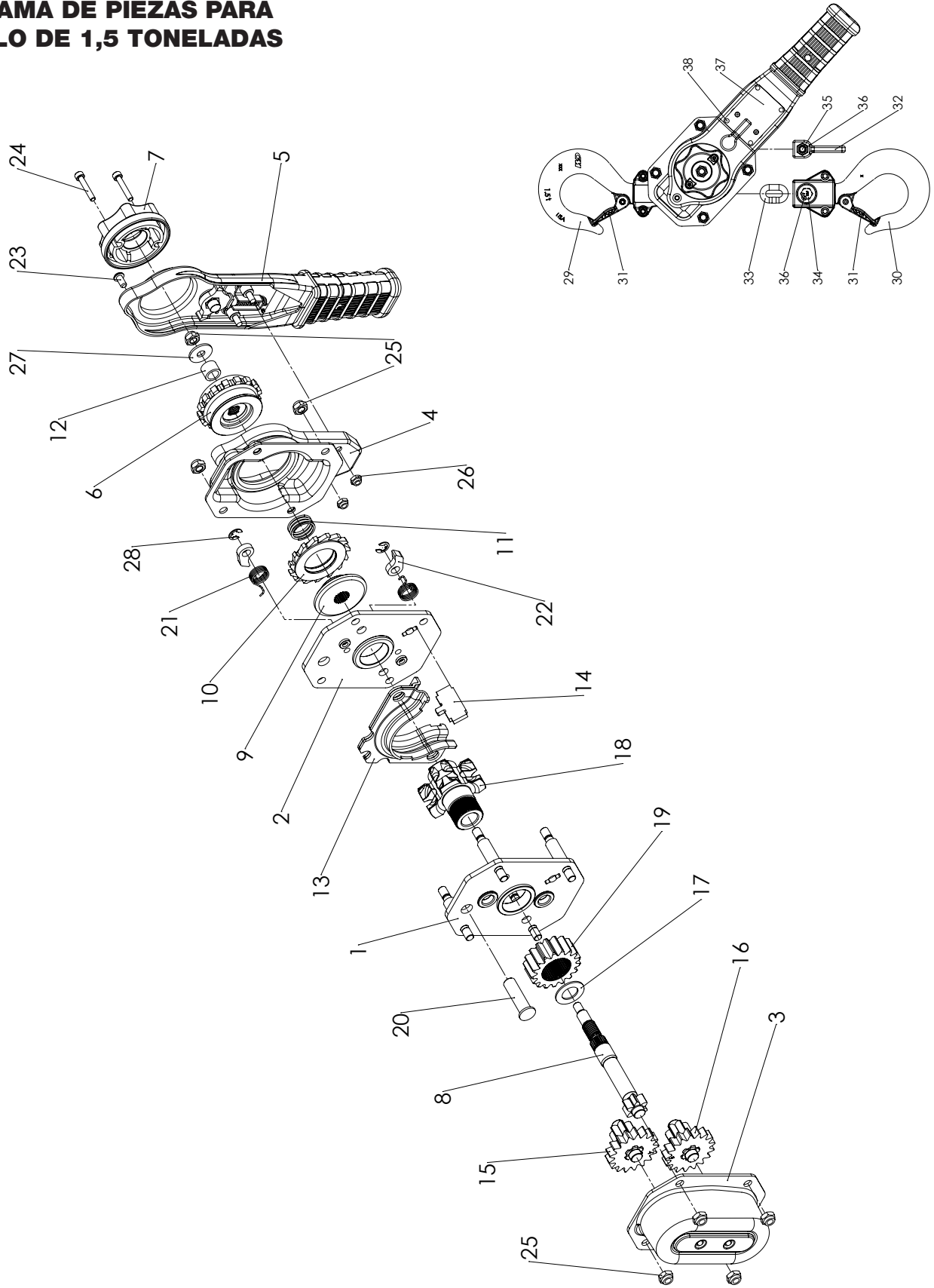
ESPAÑOL

DIAGRAMA DE PIEZAS PARA MODELO DE 1 TONELADAS

ESPAÑOL



**DIAGRAMA DE PIEZAS PARA
MODELO DE 1,5 TONELADAS**



ESPAÑOL

DIAGRAMA DE PIEZAS PARA MODELO DE 2 TONELADAS

ESPAÑOL

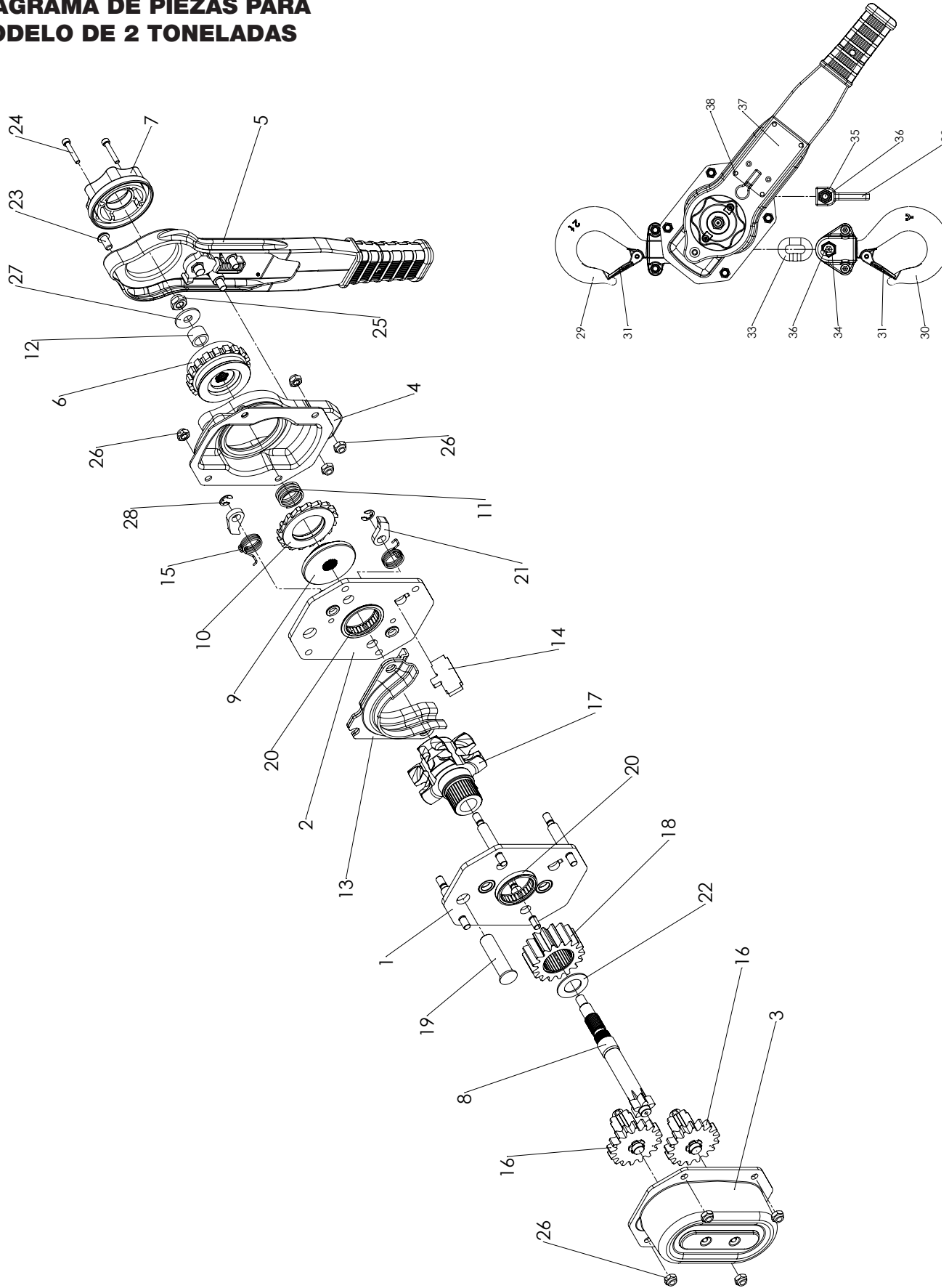
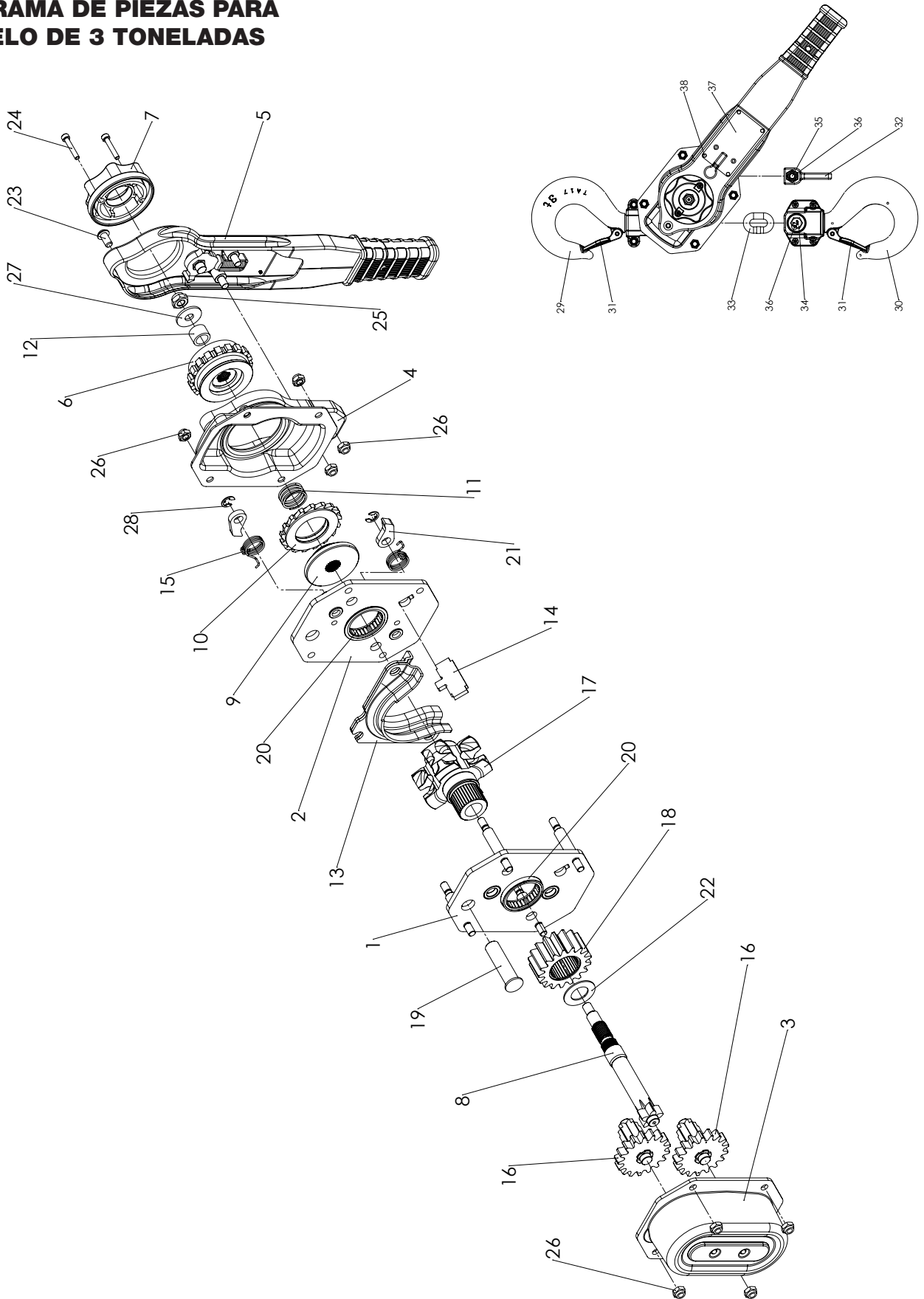


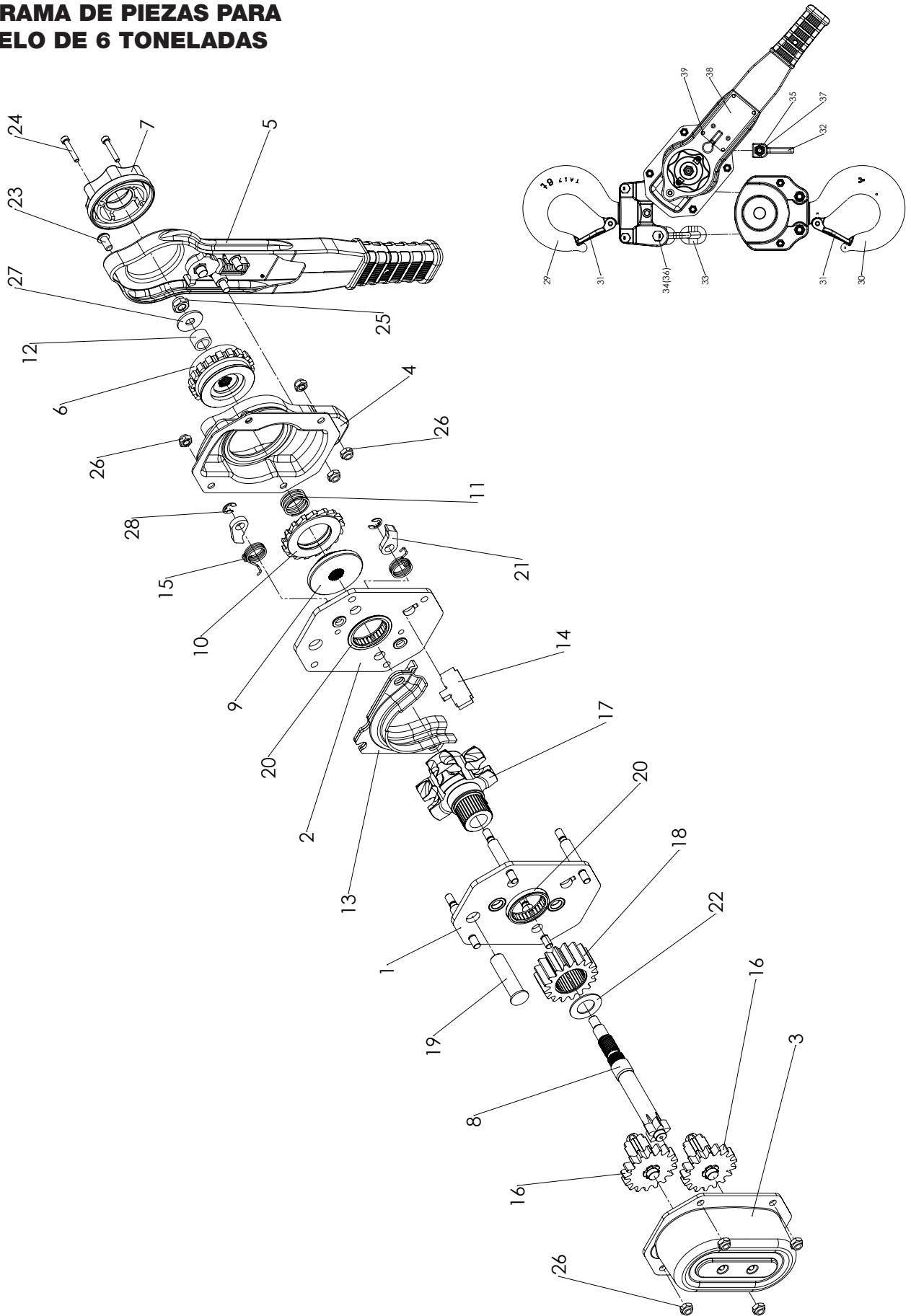
DIAGRAMA DE PIEZAS PARA MODELO DE 3 TONELADAS



ESPAÑOL

DIAGRAMA DE PIEZAS PARA MODELO DE 6 TONELADAS

ESPAÑOL



INFORMATION DE GARANTIE

LIMITATION DES GARANTIES, RECOURS ET DOMMAGES-INTÉRÊTS

INDEMNISATION ET FONCTIONNEMENT EN TOUTE SÉCURITÉ

L'acheteur doit se conformer et exiger de ses employés qu'ils respectent les directives énoncées dans les instructions et les manuels fournis par le vendeur et qu'ils utilisent et obligent ses employés à suivre ces instructions et manuels et à utiliser des précautions raisonnables pour l'utilisation et l'entretien des marchandises et des pièces de rechange. L'acheteur ne doit pas enlever ou permettre à quiconque d'enlever tout signe d'avertissement ou d'instruction sur les marchandises ou les pièces de rechange. En cas de blessures corporelles ou de dommages aux biens ou aux affaires résultant de l'utilisation des marchandises ou des pièces de rechange, l'acheteur doit, dans les 48 heures qui suivent, donner au vendeur un avis écrit de cette blessure ou de ce dommage. L'acheteur coopérera avec le vendeur pour enquêter sur tout dommage ou dommage et pour la défense de toute réclamation qui en découle.

Si l'acheteur omet de se conformer à la présente section ou si un dommage ou un dommage est causé, en tout ou en partie, par l'omission de l'acheteur de se conformer aux lois fédérales ou étatiques, aux règles ou aux réglementations applicables, l'acheteur doit indemniser et tenir le vendeur inoffensif contre toute réclamation, perte ou dépense pour blessure ou dommage résultant de l'utilisation des marchandises et/ou des pièces de rechange.

CMCO Warranty (HOISTS)

A. Columbus McKinnon Corporation («vendeur») garantit à l'utilisateur final original («acheteur») que, pour une période d'un (1) an à compter de la date de livraison des marchandises par le vendeur (collectivement, les «marchandises») au transporteur, les marchandises seront exemptes de défauts de fabrication et Matériaux. b pour une période de trois (3) ans à compter de la date de livraison des marchandises par le vendeur au transporteur, les disques de frein sur les marchandises seront exemptes de défauts de fabrication et de matériaux; c pour la durée de vie des marchandises, les composants mécaniques, y compris, sans s'y limiter, le levier de levage Sidewinder, des marchandises autres que les disques de frein sur les marchandises seront exemptes de défauts de fabrication et de matériaux. En outre, le vendeur garantit à l'acheteur que, pour une période d'un (1) an à compter de la date de leur livraison par le vendeur au transporteur, les pièces de rechange, accessoires ou composants achetés par l'acheteur à l'égard de toute marchandise (collectivement, «remplacement Pièces») seront exemptes de défauts de fabrication et de matériaux.

B. EN CAS DE MANQUEMENT À UNE TELLE GARANTIE, LA SEULE OBLIGATION DU VENDEUR EST EXCLUSIVEMENT DE SE LIMITER, AU GRÉ DU VENDEUR, À LA RÉPARATION OU AU REMPLACEMENT, AU POINT D'EXPÉDITION DU VENDEUR FAB, DE TOUTE MARCHANDISE OU PIÈCE DE RECHANGE QUE LE VENDEUR ESTIME AVOIR ÉTÉ DÉFECTUEUX OU, SI LE VENDEUR DÉTERMINE QUE CETTE RÉPARATION OU REMPLACEMENT N'EST PAS FAISABLE, À UN REMBOURSEMENT DU PRIX D'ACHAT À LA RESTITUTION DES MARCHANDISES OU DES PIÈCES DE RECHANGE AU VENDEUR. AUCUNE RÉCLAMATION CONTRE LE VENDEUR POUR TOUTE VIOLATION DE (I) UNE TELLE GARANTIE EN CE QUI CONCERNE LES COMPOSANTS ÉLECTRIQUES DE N'IMPORTE QUELLES PIÈCES DE RECHANGE OU DE BONNE EST VALIDE OU EXÉCUTOIRE À MOINS QUE L'AVIS ÉCRIT DE L'ACHETEUR EST REÇU PAR LE VENDEUR DANS UN (1) AN À COMPTER DE LA DATE DU VENDEUR LIVRAISON AU TRANSPORTEUR, , (II) UNE TELLE GARANTIE À L'ÉGARD DES DISQUES DE FREIN DE TOUT BIEN DOIT ÊTRE VALIDE OU EXÉCUTOIRE À MOINS QUE L'AVIS ÉCRIT DE L'ACHETEUR NE SOIT REÇU PAR LE VENDEUR DANS UN DÉLAI DE TROIS (3) ANS À COMPTER DE LA DATE DE LIVRAISON DU VENDEUR AU TRANSPORTEUR ET (III) DE CETTE GARANTIE EN CE QUI CONCERNE LA LES COMPOSANTS MÉCANIQUES, Y COMPRIS, SANS S'Y LIMITER, LE LEVIER DE LEVAGE SIDEWINDER, DE TOUT BIEN (AUTRE QUE LES DISQUES DE FREIN SUR TOUT BON) DOIVENT ÊTRE VALABLES OU EXÉCUTOIRES, SAUF AVIS ÉCRIT DE L'ACHETEUR QUI EST REÇU PAR LE VENDEUR DANS UN DÉLAI D'UN (1) AN À COMPTER DE LA DATE DE TOUTE RÉCLAMATION ALLÉGUÉE S'ACCUMULE. SAUF POUR LES GARANTIES ÉNONCÉES CI-DESSUS, LE VENDEUR NE FAIT AUCUNE AUTRE GARANTIE À L'ÉGARD DES MARCHANDISES OU DE TOUTE PIÈCE DE RECHANGE, EXPRIMÉE OU IMPLICITE, Y COMPRIS TOUTE GARANTIE DE QUALITÉ MARCHANDE, D'ADÉQUATION À UN USAGE PARTICULIER, DE QUALITÉ ET/OU DE DÉCOULANT D'UNE LOI OU D'UN AUTRE ACTE OU D'UN USAGE DU COMMERCE, QUI SONT TOUTS EXPRESSÉMENT REJETÉS.

C. EN AUCUN CAS, LE VENDEUR NE PEUT ÊTRE TENU RESPONSABLE ENVERS L'ACHETEUR OU TOUT TIERS À L'ÉGARD DE TOUTE PIÈCE DE RECHANGE, QU'IL S'AGISSE D'UN CONTRAT, D'UN DÉLIT CIVIL OU D'UNE AUTRE THÉORIE DU DROIT, D'UNE PERTE DE PROFITS OU D'UNE PERTE D'UTILISATION, OU DE TOUT DOMMAGE INDIRECT, INDIRECT OU INDIRECT, INCIDENTS CAUSÉ. LA RESPONSABILITÉ MAXIMALE DU VENDEUR ENVERS L'ACHETEUR EN CE QUI CONCERNE LES MARCHANDISES OU TOUTE PIÈCE DE RECHANGE NE DOIT EN AUCUN CAS EXCÉDER LE PRIX PAYÉ PAR L'ACHETEUR POUR LES PRODUITS OU PIÈCES DE RECHANGE QUI FONT L'OBJET DE LA RÉCLAMATION C. EN AUCUN CAS, LE VENDEUR NE PEUT ÊTRE TENU RESPONSABLE ENVERS L'ACHETEUR OU TOUT TIERS À L'ÉGARD DE TOUTE PIÈCE DE RECHANGE, QU'IL S'AGISSE D'UN CONTRAT, D'UN DÉLIT CIVIL OU D'UNE AUTRE THÉORIE DU DROIT, D'UNE PERTE DE PROFITS OU D'UNE PERTE D'UTILISATION, OU DE TOUT DOMMAGE INDIRECT, INDIRECT OU INDIRECT, INCIDENTS CAUSÉ. LA RESPONSABILITÉ MAXIMALE DU VENDEUR ENVERS L'ACHETEUR EN CE QUI CONCERNE LES MARCHANDISES OU TOUTE PIÈCE DE RECHANGE NE DOIT EN AUCUN CAS EXCÉDER LE PRIX PAYÉ PAR L'ACHETEUR POUR LES PRODUITS OU PIÈCES DE RECHANGE QUI FONT L'OBJET DE LA RÉCLAMATION APPLICABLE.

D. Le vendeur ne sera pas responsable des dommages, blessures ou pertes résultant de l'utilisation des marchandises ou de toute pièce de rechange si, avant de tels dommages, blessures ou pertes, ces marchandises ou pièces de rechange sont: (1) endommagées ou mal utilisées après la livraison du vendeur au transporteur; (2) non entretenues, inspectées ou utilisées en conformité avec la loi applicable et les instructions et recommandations écrites du vendeur; ou (3) installé, réparé, modifié ou modifié (a) avec une pièce ou un accessoire autre que ceux fournis par le vendeur ou (b) sans se conformer à ces lois, instructions ou recommandations.

E. Cette garantie est limitée et fournie uniquement à l'utilisateur final d'origine. **Chaque pièce de rechange doit être inscrite dans les 60 (60) jours suivant la réception de chaque produit pour établir l'admissibilité.** S'il vous plaît vous inscrire à www.cmworks.com/Hoist-Warranty-Registration ou soumettre une carte d'enregistrement via US mail.

F. Toute action contre le vendeur pour manquement à la garantie, négligence ou autre en rapport avec les composants électriques de tout bien doit être introduite par l'acheteur dans un délai d'un (1) an après: (a) la date à laquelle toute réclamation alléguée s'accumule; b la date de livraison des marchandises à l'acheteur, selon la première éventualité. Toute action contre le vendeur pour manquement à la garantie, négligence ou autre en rapport avec les disques de frein sur un bien doit être commencée par l'acheteur dans les trois (3) ans après: (y) la date de toute réclamation alléguée s'accumule; ou (z) la date de livraison des marchandises à l'acheteur, selon la plus ancienne. Toute action contre le vendeur pour manquement à la garantie, négligence ou autre en rapport avec les composants mécaniques de tout bien (autres que les disques de frein sur un bien) doit être introduite par l'acheteur dans un délai d'un (1) an après la date à laquelle toute réclamation alléguée s'accumule. Toute action contre le vendeur pour manquement à la garantie, négligence ou autre en rapport avec une pièce de rechange doit être introduite par l'acheteur dans un délai d'un (1) an après: (y) la date à laquelle toute réclamation alléguée s'accumule; ou (z) la date de livraison de la pièce de remplacement à l'acheteur, selon la plus ancienne.

G. Cette garantie est subordonnée à l'entretien et au soin appropriés des marchandises et/ou de la pièce de rechange, et ne s'étend pas à l'usure normale. Le vendeur se réserve le droit, à sa discrétion, d'annuler cette garantie en cas d'utilisation de l'acheteur avec les produits et/ou pièces de rechange de pièces ou d'accessoires autres que ceux fournis par le vendeur.

A AVERTISSEMENT

Les altérations ou modifications de l'équipement et l'utilisation de pièces de rechange non-vendeur peuvent conduire à des opérations dangereuses et à des blessures.

POUR ÉVITER LES BLESSURES:

- Do not alter or modify equipment.
- Do use only factory replacement parts.

CM HOIST PARTS AND SERVICES ARE AVAILABLE IN THE UNITED STATES AND IN CANADA

As a CM Hoist and Trolley user you are assured of reliable repair and parts services through a network of Master Parts Depots and Service Centers that are strategically located in the United States and Canada. These facilities have been selected on the basis of their demonstrated ability to handle all parts and repair requirements promptly and efficiently. To quickly obtain the name of the Master Parts Depot or Service Center located nearest you, go to www.cmworks.com, phone (800) 888-0985, Fax: (716) 689-5644.

LAS PIEZAS Y REPARACIONES DE LOS POLIPASTOS DE CM ESTÁN ASEGURADAS EN ESTADOS UNIDOS Y CANADÁ

Como usuario de un polipasto y carro de CM le aseguramos cualquier reparación o la disponibilidad de cualquier pieza de repuesto a través de una red de almacenes de piezas de repuesto y centros de servicio situados estratégicamente en Estados Unidos y Canadá. Estas instalaciones se han seleccionado en base a su capacidad demostrada en la reparación de equipos y suministro de piezas de repuesto de forma rápida y eficaz. Para obtener la dirección del almacén de piezas de repuesto o del centro de servicio más cercano, vaya a www.cmworks.com, teléfono (800) 888-0985, Fax: (716) 689-5644 (sólo en Estados Unidos y Canadá).

LE SERVICE DE RÉPARATION ET DE PIÈCES POUR PALANS CM EST DISPONIBLE AUX ÉTATS-UNIS ET AU CANADA

Soyez assurés qu'en temps d'utilisateur de palan et treuil CM, d'un service de réparation et de pièces fiable par l'entremise d'un réseau de Centres de service et de Dépôts de pièces maîtresses qui sont stratégiquement situés aux États-Unis et au Canada. Ces établissements ont été sélectionnés sur une base de leur habileté démontrée à s'occuper promptement et efficacement des besoins de réparation de pièces. Aller à www.cmworks.com, téléphone (800) 888-0985, Fax: (716) 689-5644 pour obtenir rapidement le nom du dépôt de pièces maîtresses ou du centre de service situé le plus près.

FRANÇAIS

AVERTISSEMENT

Une mauvaise utilisation du palan peut créer une situation potentiellement dangereuse, pouvant causer la mort ou une blessure grave. Afin d'éviter ces situations potentiellement dangereuses, l'opérateur ne doit:

1. **PAS** opérer un palan qui fonctionne mal ou anormalement.
2. **PAS** opérer le palan, jusqu'à ce qu'il ait bien lu et compris ce manuel.
3. **PAS** opérer un palan qui aurait été modifié sans l'approbation du fabricant ou la certification de conformité aux normes applicables OSHA.
4. **PAS** lever ou tirer plus que la charge nominale pour le palan.
5. **PAS** utiliser un palan endommagé ou qui ne fonctionne pas correctement.
6. **PAS** utiliser le palan lorsqu'il est tordu, entortillé, endommagé ou que la chaîne de levage est usée.
7. **PAS** opérer avec une rallonge de levier (barre).
8. **PAS** tenter de libérer la chaîne du palan lorsqu'une charge est appliquée.
9. **PAS** utiliser le palan pour lever, soutenir ou transporter des personnes.
10. **PAS** soulever des charges par-dessus des personnes et s'assurer que toute personne est loin de la charge.
11. **PAS** tenter d'allonger la chaîne de levage ou de réparer la chaîne de levage endommagée.
12. Protéger les chaînes de levage des palans des particules de soudure ou autres contaminants pouvant causer des dommages.
13. **PAS** opérer un palan lorsqu'il ne forme pas une ligne droite d'un crochet à l'autre, dans la direction de la charge.
14. **PAS** utiliser la chaîne de levage comme courroie ou chaîne pour entourer la charge.
15. **PAS** appliquer la charge au bout du crochet ou sur le loquet du crochet.
16. **PAS** appliquer de charge avant que la chaîne de levage soit correctement appuyée sur la chaîne de transmission ou la roue dentée.
17. **PAS** appliquer de charge si les paliers préviennent une charge égale sur toutes les charges supportant les chaînes.
18. **PAS** opérer au-dessus des limites de voyage de la chaîne de levage.
19. **PAS** laisser la charge supportée par le palan sans supervision, à moins que des précautions précises aient été prises.
20. **PAS** permettre à la chaîne ou au crochet d'être utilisés comme surfaces pour l'électricité ou la soudure.
21. **PAS** permettre à la chaîne ou au crochet d'être touchés par des électrodes de soudage.
22. **PAS** retirer ou cacher les avertissements sur le palan.
23. **PAS** opérer un palan qui n'a pas été sécuritairement attaché à un support approprié.
24. **PAS** opérer un palan à moins que des courroies pour les charges ou d'autres attaches uniques approuvées de la bonne taille soient fixées à la selle du crochet.
25. **PAS** soulever les charges qui ne sont pas balancées ou lorsque l'action de maintien n'est pas sécuritaire, absorbant le jeu des courroies.
26. **PAS** opérer le palan à moins que toutes les personnes sont éloignées de la charge supportée.
27. Rapporter les dysfonctionnements ou des performances inhabituelles d'un palan, après qu'il ait été éteint jusqu'à sa réparation.
28. **PAS** opérer un palan sur lequel les affiches de sécurité ou les étiquettes sont manquantes ou illisibles.
29. Vous devez bien connaître les commandes d'opération, les procédures et les avertissements.

ATTENTION

Une mauvaise utilisation du palan peut créer une situation potentiellement dangereuse, pouvant causer une blessure mineure ou modérée. Afin d'éviter ces situations potentiellement dangereuses, l'opérateur doit:

1. Maintenir une assise stable ou être sécurisé d'une autre façon lors de l'utilisation du palan.
2. Vérifier que les freins fonctionnent en tendant le palan avant chaque opération de levage ou de tirage.
3. Utiliser des loquets pour les coquets. Les loquets retiennent les harnais et les chaînes lorsqu'elles ont du jeu seulement.
4. S'assurer que les loquets des crochets sont fermés et ne supportent aucune partie de la charge.
5. S'assurer que la charge est libre de bouger et déplacera tous les obstacles.
6. Éviter de balancer la charge ou le crochet.
7. Éviter que le palan revienne en gardant une prise ferme sur le palan jusqu'à ce que l'opération soit complétée et que le palan soit en position de détente.
8. Inspecter régulièrement le palan, remplacer des pièces endommagées ou usagées et tenir un registre de l'entretien effectué.
9. Utiliser des pièces Columbus McKinnon pour réparer l'unité.
10. Lubrifier la chaîne de levage tel que recommandé dans ce manuel.
11. **PAS** opérer sauf avec un déclenchement manuel.
12. **PAS** permettre à plus d'un opérateur de tirer sur le palan au même moment. Plus d'un opérateur pourrait engendrer une surcharge du palan.
13. **PAS** être dérangé au moment d'opérer le palan.
14. **PAS** permettre au palan d'être soumis à des surfaces coupantes des autres palans, structures ou objets en raison d'une mauvaise utilisation.
15. **PAS** ajuster ou réparer le palan à moins d'être qualifié pour effectuer de tels ajustements ou réparations.

Les palans sont destinés à une utilisation industrielle générale, pour déplacer des charges selon leurs charges nominales. Avant l'installation et l'utilisation, l'utilisateur devrait réviser l'application à l'utilisation dans des conditions environnementales défavorables.

INFORMATIONS GÉNÉRALES DE SÉCURITÉ

CONDITIONS ENVIRONNEMENTALES DÉFAVORABLES

Ne pas utiliser les palans dans des endroits contenant des vapeurs, liquides, gaz ou toute autre poussière ou fibre combustible inflammable. Ne pas utiliser le palan dans des environnements hautement corrosifs, abrasifs ou mouillés, ou dans des applications impliquant l'exposition à des températures de -10°F ou au-dessus de 130°F.

DÉPLACEMENT DE CHARGES DANGEREUSES

On ne recommande pas l'utilisation des palans pour lever du matériel qui pourrait causer des dommages généralisés si échappé. Lever ou déplacer du matériel qui pourrait exploser ou causer une contamination chimique ou radioactive requiert des appareils sécuritaires, avec un soutien redondant qui n'est pas incorporé à ces palans.

DESCRIPTION

Les palans à levier manuels Series 653-A sont des outils très versatiles qui peuvent être utilisés efficacement dans toutes les positions pour des tâches de halage, levage, traction ou d'étirement. Le couvercle protecteur et le levier sont fabriqués de plaques d'acier embouties. Les engrenages sont d'acier ayant subi un traitement thermique, les crochets supérieur et inférieur sont d'acier forgé, et la chaîne est en acier ayant subi un traitement thermique, de type à maillons soudés.

Des palans de 1/2, 1, 1U 2 3 et 6 tonnes sont disponibles et ce manuels s'applique à toutes ces unités. Les palans sont disponibles avec chaîne de 1,5 -3 -4,6 et 6 mètres.

Les crochets avec les loquets sont standards sur toutes les unités.

Les palans manuels à levier Series 653-A sont fabriqués selon les présentes spécifications et sont conformes, au moment de leur fabrication, aux sections applicables de la norme B30.21 Palans Manuels a Levier de l'American Society of Mechanical Engineers (ASME).

CARACTÉRISTIQUES

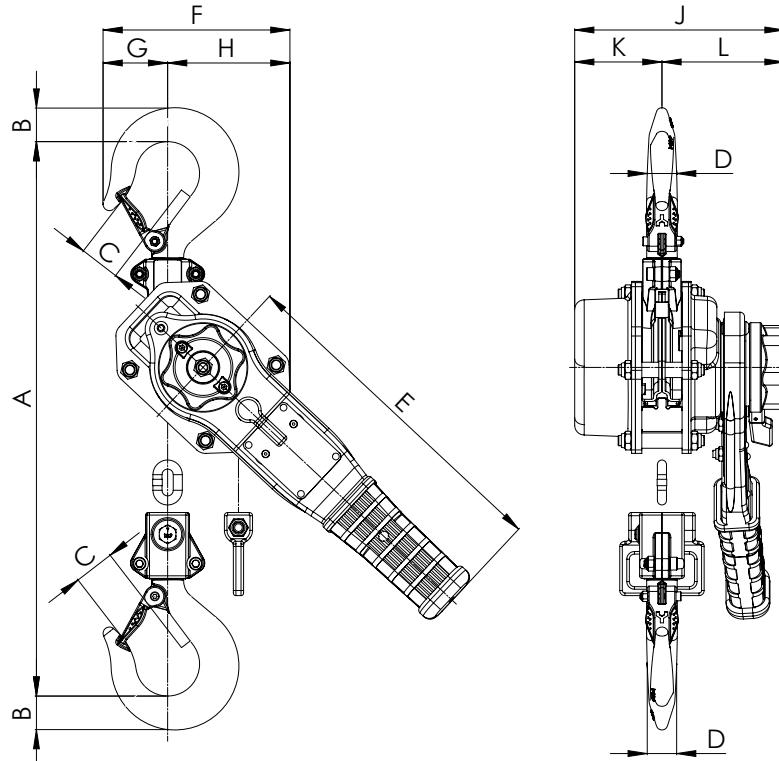


Figure 2 – Caractéristiques

No. de modèle	Class. charge Tonnes)	levage standard pi. (m)	Tirez la force pour soulever Charge nominale Lbf. (kgf.)	Poids net lb (kg)	Dimensions po. (mm)										
					A (Min.)	B	C	D	E	F	G	H	J	K	L
5310A	3/4	5 (1.5)	51	13.8 (6.26)	11.78 (302)	0.78 (20)	1.05 (27)	0.7 (18)	10.41 (267)	4.72 (121)	1.56 (40)	3.16 (81)	5.62 (144)	2.07 (53)	3.55 (91)
5311A		10 (3)		16.05 (7.28)											
5312A		15 (4.5)		18.3 (8.3)											
5313A		20 (6)		20.55 (9.32)											
5328A	1	5 (1.5)	51	19.84 (9)	13.50 (343)	0.87 (22)	1.14 (29)	0.75 (19)	10.51 (267)	5.47 (139)	1.69 (43)	3.78 (96)	6.46 (164)	2.68 (68)	3.78 (96)
5328-X10A		10 (3)		22.84 (10.4)											
5328-X15A		15 (4.5)		25.84 (11.7)											
5328-X20A		20 (6)		28.84 (13.1)											
5315A	1-1/2	5 (1.5)	77	20.17 (9.15)	14.63 (375)	1.01 (26)	1.21 (31)	0.82 (21)	10.51 (267)	5.69 (146)	1.99 (51)	3.71 (95)	6.46 (164)	2.68 (68)	3.78 (96)
5316A		10 (3)		23.61 (10.71)											
5317A		15 (4.5)		27.12 (12.3)											
5318A		20 (6)		30.62 (13.89)											
5329A	2	5 (1.5)	58	35.27 (16)	16.10 (409)	1.18 (30)	1.38 (35)	0.87 (22)	14.80 (376)	6.81 (173)	1.97 (50)	4.84 (123)	7.60 (193)	3.27 (83)	4.33 (110)
5329-X10A		10 (3)		38.27 (17.4)											
5329-X15A		15 (4.5)		41.27 (18.7)											
5329-X20A		20 (6)		44.27 (20.1)											
5320A	3	5 (1.5)	87	37.17 (16.86)	17.52 (445)	1.64 (37)	1.57 (40)	1.10 (28)	14.80 (376)	7.09 (180)	2.24 (57)	4.84 (123)	7.60 (193)	3.27 (83)	4.33 (110)
5321A		10 (3)		44.29 (20.09)											
5326-X15A		15 (4.5)		51.00 (23.13)											
5327A		20 (6)		66.00 (29.94)											
5330A	6	5 (1.5)	92	62.96 (28.56)	22.17 (563)	1.77 (45)	1.73 (44)	1.38 (35)	14.80 (376)	9.13 (232)	2.80 (71)	6.34 (161)	7.60 (193)	3.27 (83)	4.33 (110)
5331A		10 (3)		77.18 (35.01)											
5332A		15 (4.5)		91.4 (41.46)											
5333A		20 (6)		105.62 (47.91)											

DÉSEMBALLAGE

Après avoir déemballé le palan, inspectez soigneusement pour tout dommage ayant pu être causé par le transport. Regardez si des pièces sont détachées, manquantes ou endommagées. Les réclamations relatives au transport doivent être remplies par le transporteur. Le palan est livré complètement assemblé et prêt à être utilisé.

CM® POLITIQUE REMPLACEMENT ET RÉPARATION

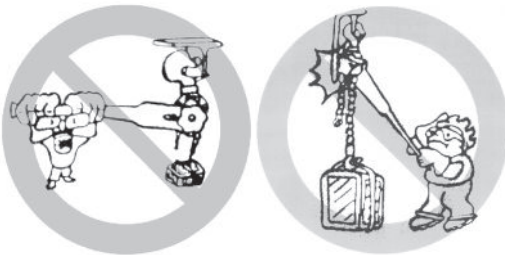
Todos los polipastos Columbus McKinnon CM® Serie 653-A son inspeccionados y probados el rendimiento antes del envío. Si cualquier polipasto debidamente mantenido desarrolla un problema de rendimiento, durante la vida de los Productos, debido a un defecto material o de mano de obra, según lo verificado por CM, la reparación o sustitución de la unidad se hará al comprador original se hará al comprador original sin cargo.

Esta política de reparación/sustitución se aplica únicamente a los polipastos de la serie CM 653-A instalados, mantenidos y operados como se describe en este manual, y excluye específicamente los polipastos sujetos a desgaste normal, abuso, instalación inadecuada, mantenimiento inadecuado o inadecuado, ambiente hostil efectos y reparaciones/modificaciones no autorizadas. Nos reservamos el derecho de cambiar materiales o diseñar si, en nuestra opinión, dichos cambios mejorar nuestro producto. El abuso, la reparación por parte de una persona no autorizada o el uso de piezas de repuesto que no sean DE CM anulan la garantía y podrían conducir a un funcionamiento peligroso. Para ver los términos de venta completos, consulte Confirmación de pedido de ventas. Además, consulte las Limitaciones de Garantías, Remedios y Daños, y Indemnización y Operación Segura.

INSTALLATION

Avant d'installer le palan:

1. Estimez le poids de la charge qui sera levée ou déplacée et assurez-vous qu'elle ne dépasse pas la charge maximale du palan.
2. Assurez-vous que le support ou la courroie sur laquelle le crochet du haut est attaché est assez résistant pour tenir plusieurs fois le poids de la charge à lever ou à déplacer. Assurez-vous que le palan est tenu solidement dans la partie supérieure du crochet du haut et que le loquet est fermé et pas en contact avec le support ou la courroie.
3. L'aire dans laquelle le palan est installé doit fournir suffisamment d'espace afin que:
 - a. L'opérateur puisse utiliser le levier.
 - b. L'opérateur et les autres membres du personnel soient loin de la charge en tout temps.
 - c. L'opérateur ait une base solide.



- d. Il y a une distance entre le cadre du palan et tout autre objet. Le cadre doit être en mesure de pivoter sur le crochet du haut.

AVERTISSEMENT

Attacher le palan sur un support inadéquat pourrait permettre au palan de tomber et de causer des blessures ou des dégâts matériels.

POUR ÉVITER LES BLESSURES:

S'assurer que la structure a la force suffisante pour tenir plusieurs fois le poids du palan et la charge nominale.

UTILISATION

AVERTISSEMENT

S'il n'est pas utilisé correctement, le palan à levier peut causer des blessures.

POUR ÉVITER LES BLESSURES:

Utiliser seulement tel que mentionné ci-dessous. Lire toutes les instructions avant d'utiliser le palan manuel à levier CM® Serie 653-A.

GÉNÉRAL

1. Le palan doit être gardé propre pour assurer une bonne utilisation. Avant l'utilisation, s'assurer que la chaîne est propre, qu'il n'y a aucun débris étranger dans la zone de levage et que le levier opère librement.
2. Ne pas charger au-delà de la charge nominale. La surcharge peut causer une défaillance immédiate ou du dommage résultant en une défaillance future, même à moins de la capacité nominale.
3. Ne pas utiliser ce palan ou tout autre matériel de manutention pour lever ou déplacer des gens, ou lever des charges au-dessus des gens.
4. Restez loin de toutes les charges et avertissez les autres personnes de votre intention de déplacer une charge dans leur aire.
5. Ne pas laisser une charge sur l'unité sans supervision.
6. Lire les avertissements et les instructions sur le palan avant chaque utilisation.
7. Ne pas tenir la chaîne de levage en opérant le palan. Le palan pourrait ne pas fonctionner proprement et des sérieuses blessures pourraient survenir.
8. Ne jamais opérer le palan lorsque des matériels ou des vapeurs inflammables sont présents. Un contact entre des parties de métal peut produire des étincelles qui pourraient entraîner un feu ou une explosion.
9. SOYEZ ALERTES! Portez attention à ce que vous faites et utilisez votre jugement. N'utilisez pas le palan si vous êtes fatigué, distrait, ou sous l'influence de drogue, d'alcool ou de médication diminuant votre contrôle.

AVERTISSEMENT

Le mal fonctionnement d'une unité, un glissement ou la perte d'équilibre peut causer le glissement résultant en blessure.

POUR ÉVITER LES BLESSURES:

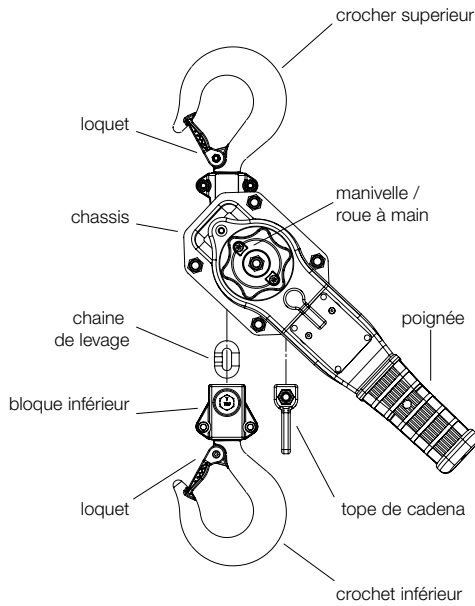
Toujours s'appuyer sur une base solide au moment d'utiliser le palan à levier manuel CM® Serie 653-A.

ENCHAÎNEMENT LIBRE

Dans ce mode d'utilisation, la chaîne peut être tirée dans le palan dans toute direction, manuellement, pour un attachement rapide de la charge.

Pour activer la fonction d'enchaînement libre, retirer toute charge du palan et bouger le levier directionnel en position ("N").

UTILISATION (SUITE)



ATTACHER LA CHARGE

Attacher le crochet inférieur à la charge afin qu'elle soit appuyée au creux du crochet et qu'elle ne soit pas maintenue par le haut du crochet ou du loquet, et que le loquet soit serré contre le bout du crochet.

⚠ AVERTISSEMENT

Permettre à la charge d'être soutenue par le loquet du crochet ou le bout du crochet peut causer la perte de la charge.

POUR ÉVITER LES BLESSURES:

Ne pas permettre à la charge d'être soutenue par le loquet du crochet ou le bout du crochet. Appuyez la charge au creux du crochet ou à la selle seulement.

Ne pas enrouler la chaîne autour de la charge et le crochet lui-même, comme chaîne de retenue. Ne pas mettre en contact la charge et le palan. Procéder ainsi supprimera l'effet de pivot du crochet, ce qui causera une chaîne tordue et une roue de levage coincée. De plus, la chaîne pourrait être endommagée au crochet. Assurez-vous que le crochet du haut et du bas sont en ligne droite et que le cadre peut pivoter sur le crochet supérieur.

TIRER OU LEVER LA CHARGE

Actionner le levier en mouvement de haut en bas pour raccourcir la distance entre les crochets et ainsi tirer ou soulever la charge.

Lors de la traction ou le levage déplacer la charge seulement assez pour charger légèrement l'unité, puis vérifiez pour être sûr que les pièces jointes aux crochets et la charge sont fermement assis. Continuer le mouvement seulement après que vous soyez assuré que la charge est exempte de toute obstruction.

Le treuil a été conçu pour le fonctionnement à la main seulement. N'utilisez pas d'extension sur le levier. Le levier suivant tire capacité nominale de l'unité :

3/4t: 51 lbf / 23 kgf

1t: 51 lbf / 23 kgf

1 1/2t: 77 lbf / 35 kgf

2t: 58 lbf / 26 kgf

3t: 87 lbf / 39 kgf

6t: 92 lbf / 42 kgf

Toute plus grande traction est une indication d'une surcharge ou d'une unité mal entretenue.

DESSERRER OU DESCENDRE LA CHARGE

⚠ AVERTISSEMENT

Une opération électrique pourrait causer du dommage structurel ou une usure prématurée qui pourrait causer le bris d'une pièce et ainsi faire tomber la charge.

POUR ÉVITER LES BLESSURES:

Utiliser le palan à levier CM® Serie 653-A de façon manuelle seulement!

Déplacer le levier directionnel en position de décharge. Encore une fois, faites des mouvements de bas en haut avec le levier pour augmenter la distance entre les crochets et ainsi desserrer ou descendre la charge.

FREIN VERROUILLÉ

Si un palan qui est sous charge est soudainement libéré de la charge en enlevant cette charge du crochet inférieur par tout autre moyen ou en tirant les murs vers le bas, le frein se verrouillera.

Le frein se verrouillera également si le bloc du crochet inférieur est tiré fermement contre le cadre.

Pour déverrouiller le frein, tourner le levier directionnel en position de décharge et tirer fermement sur le levier.

⚠ AVERTISSEMENT

Tourner la poignée avec une charge attachée permettra à la charge de se libérer et pourrait causer des blessures.

POUR ÉVITER LES BLESSURES:

Ne jamais tourner la poignée lorsque le palan du levier est chargé.

⚠ AVERTISSEMENT

Si l'unité n'est pas ajustée de sorte que les crochets soient en ligne droite, et si le cadre ne peut pas pivoter, le levier de tirage pourrait casser le cadre et causer des blessures ou la perte de la charge.

POUR ÉVITER LES BLESSURES:

Placer l'unité en ligne droite d'un crochet et assurez-vous que le cadre puisse pivoter (voir Figure 4).

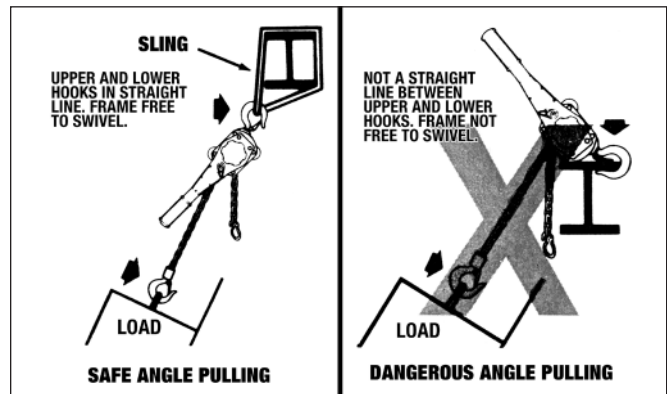


Figure 4

INSPECTER LE PALAN

Avant chaque utilisation et à des intervalles précis, tel que mentionné dans la section d'inspection.

AVERTISSEMENT

Utiliser comme indiqué ci-dessus. Ne pas procéder ainsi pourrait causer des blessures, à vous ou à d'autres personnes.

1. **NE PAS** excéder la capacité écrite sur la plaque d'identification.
2. **NE PAS** utiliser pour lever des personnes ou des charges au-dessus des personnes.
3. **NE PAS** utiliser si le cadre du palan et la chaîne ne forment pas une ligne droite entre les crochets.
4. **NE PAS** utiliser si le cadre est en contact avec un objet quelconque.
5. **NE PAS** utiliser si l'unité est endommagée ou fonctionne incorrectement.
6. **NE PAS** ajouter de rallonge au levier. Utiliser de façon manuelle seulement.
7. **NE PAS** utiliser si la chaîne est tordue, entortillée ou endommagée.

ENTRETIEN

INSPECTION

Afin de maintenir une utilisation continue et satisfaisante, une procédure d'inspection régulière doit être effectuée, pour remplacer les pièces usées ou endommagées avant qu'elles deviennent non sécuritaires. Les intervalles d'inspection doivent être déterminées pour chaque application individuelle et sont basés selon le type de service auquel le palan est assujéti. Les intervalles indiqués ci-dessous sont basés sur une utilisation normale.

Les inspections sont divisées en deux classes générales désignées comme « fréquentes » ou « périodiques »

INSPECTIONS FRÉQUENTES

Ces inspections sont généralement des examens visuels par l'opérateur. Des inspections fréquentes doivent être effectuées quotidiennement ou avant chaque utilisation, et devraient inclure:

1. Le mécanisme de freinage pour des signes évidents de dérapage.
2. Le levier directionnel pour un mouvement libre.
3. La chaîne de levage pour lubrification, usure, liens endommagés ou matériel étranger.
4. Les crochets pour dommages, craques, torsions, support de charge et fonctionnement des loquets.

INSPECTIONS PÉRIODIQUES

Celles-ci sont des inspections visuelles des conditions externes et internes par une personne désignée, effectuant des rapports afin de fournir la base d'une évaluation continue de la condition du palan. La fréquence des inspections périodiques est basée sur l'utilisation, telle que définie à ASME B30.21. Les inspections périodiques devraient inclure ces items, ainsi que les suivants:

1. La chaîne pour un usage excessif ou un étirement (voir Figures 6 et 7, page 7).
2. Des pièces usées, craquées ou tordues tel que le bloc du crochet inférieur, la tige du crochet supérieur, le guide de la chaîne, les bagues, le levier, la couverture des freins, la poignée de chaîne libre, le cliquet directionnel, la plaque tournante à friction et le cliquet du levier.
3. Inspectez l'usure des extrémités des cliquets, dents du cliquet et les poches de la roue d'élévation.
4. Des boulons, écrous, tiges et rivets mal fixés ou manquants.
5. Inspectez les composantes des freins à la recherche d'usure, d'émail ou de contamination des disques de friction et pour évaluer le frottement de la plaque tournante et du cliquet. Remplacer l'assemblage de cliquet des freins s'il est contaminé, émaillé ou si l'épaisseur est de moins de 0,256 po. (6,5 mm) pour 0,75 Tonne, 1 Tonne et 1,5 Tonne et 0,307 po. (7,8 mm) pour 2 Tonnes, 3 Tonne, et 6 Tonne.
6. Les ressorts de cliquets, les cliquets du levier directionnel et les ressorts du levier à cliquet corrodés, étirés ou brisés.
7. Crochets – Inspection visuelle basée sur ASME B30.10 et ASME B30.21.
8. Plaque d'identification et étiquettes d'avertissement pour la visibilité et la rétention.
9. L'arrêt de la chaîne au bon endroit et proprement sécurisée.

Toute défaillance doit être corrigée avant que le palan soit réutilisé. De plus, les conditions externes peuvent démontrer le besoin d'une inspection plus détaillée, qui à son tour, peut nécessiter l'utilisation d'une évaluation non destructive.

Toutes les pièces ayant été jugées hors service doivent être remplacées par de nouvelles pièces avant que le palan soit de nouveau en service. Il est très important que les pièces hors service soient détruites et éliminées de manière appropriée afin de prévenir leur utilisation future possible à titre de pièce de réparation.

Lorsque l'unité est assujéti à une utilisation intensive ou des

conditions atmosphériques poussiéreuses, granuleuses, humides ou corrosives, de plus courtes périodes doivent être assignées. L'inspection doit être effectuée pour toutes les parties, pour l'usure inhabituelle, la corrosion ou le dommage, en plus de celles mentionnées spécifiquement dans le calendrier.

INSPECTION DU CROCHET

Les crochets endommagés par des produits chimiques, des déformations ou des craques, qui sont torsadés en raison du crochet déplié, ont une ouverture excessive ou un usage du siège, doivent être remplacés (voir ASME B30.10). De plus, les crochets qui sont ouverts dans la mesure où le loquet ne rejoint plus l'extrémité doivent être remplacés. Tout crochet torsadé ou qui a une trop grande ouverture indique l'abus ou la surcharge du palan. Le niveau de dommage des autres pièces retenant la charge devrait être inspecté.

Assurez-vous que le loquet n'est pas endommagé ou plié et qu'il fonctionne correctement. Il devrait avoir une pression suffisante du ressort pour le garder fermement contre l'extrémité du crochet et lui permettre de revenir à l'extrémité lorsque relâché. Si le loquet ne fonctionne pas correctement, remplacez-le.

Le tableau ci-dessous devrait être utilisé pour déterminer lorsque le crochet doit être remplacé.

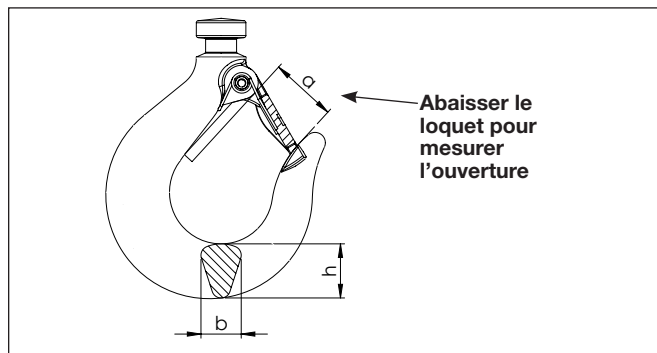


Figure 5 - Inspection du crochet

Capacité du loquet (Tonnes)	Dimensions po. (mm)					
	"a" Std.	"a" Max.	"b" Std.	"b" Min.	"h" Std.	"h" Min.
0.75	1.06 (27)	1.17 (29.7)	.59 (15)	.56 (14.3)	.79 (20)	.75 (19)
1.0	1.14 (29)	1.25 (31.9)	.75 (19)	.71 (18.1)	.86 (22)	.82 (20.9)
1.5	1.26 (32)	1.38 (35.2)	.77 (19.5)	.73 (18.5)	1.03 (26.2)	.98 (24.9)
2.0	1.37 (35)	1.51 (38.5)	.86 (22)	.82 (20.9)	1.18 (30)	1.12 (28.5)
3.0	1.57 (40)	1.73 (44)	1.10 (28)	1.01 (26.6)	1.44 (36.6)	1.37 (34.8)
6.0	1.73 (44)	1.90 (48.4)	1.26 (32)	1.19 (30.4)	1.76 (44.8)	1.68 (42.6)

CHAÎNE DE LEVAGE

La chaîne devrait entrer et sortir sans problème du palan. Si la chaîne force, saute ou fait du bruit, nettoyez et lubrifiez-la. (voir page 8). Si le problème persiste, inspectez la chaîne et les pièces adjacentes pour l'usure, déformation ou autres dommages.

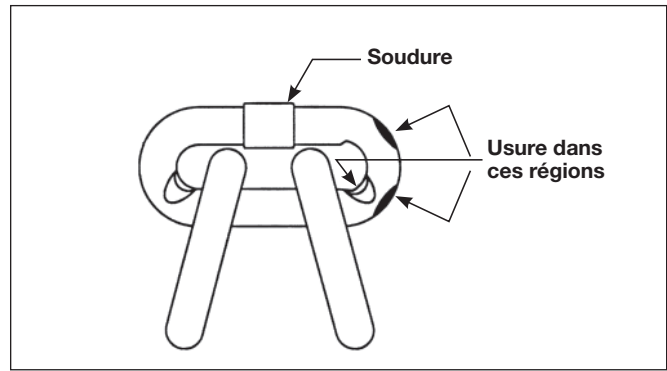


Figure 6 - Inspection de la chaîne

INSPECTION DE LA CHAÎNE

Nettoyez d'abord la chaîne avec un solvant de type non caustique et sans acide et faites une inspection de chaque lien pour des encoches, gouges, liens tordus, perles de soudures, piqûres de corrosion, stries (lignes parallèles minuscules), craques dans les zones soudées, de l'usure ou de l'étirement. Une chaîne ayant l'une de ces déficiences doit être remplacée.

Relâchez la portion de la chaîne qui passe normalement au-dessus de la roue d'élévation. Examiner la région où se trouve le maximum d'usure (polissage). Mesurer et enregistrer les variations de diamètre à ce point du lien. Puis, mesurer les variations de diamètres de cette même région sur le lien qui ne passe pas au-dessus de la roue d'élévation (utiliser le lien adjacent à l'arrêt de chaîne à cette fin). Comparer ces deux mesures. Si la variation du diamètre est de 0,010 pouce (0,254 mm) ou plus, la chaîne doit être remplacée.

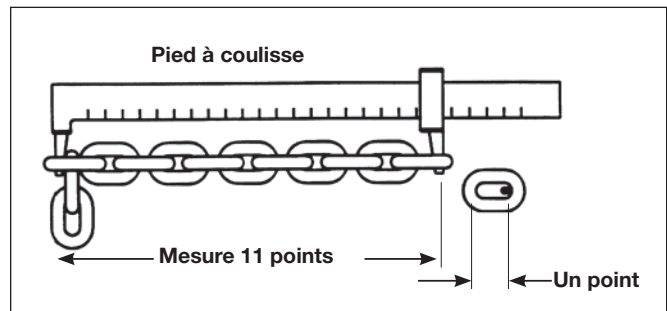


Figure 7 - Inspection de la chaîne

Vérifier aussi la chaîne pour l'étirement avec un pied à coulisse, comme montré à la Figure 7. Sélectionner une section de la chaîne qui n'est pas usée ou étirée (habituellement à l'extrémité), mesurer et enregistrer la longueur sur une chaîne à 11 liens (points). Puis, mesurer et enregistrer la même longueur d'une section de chaîne usée.

Si le résultat (montant d'étirement et d'usure) est plus grand que 0,145 pouce (3,7 mm), la chaîne doit être remplacée.

Utiliser seulement un compas de type "Knife-Edge" pour éliminer toute possibilité de fausse lecture en ne mesurant pas la longueur totale

AVERTISSEMENT

Utiliser une autre chaîne de levage que celle de CM® Serie 653-A peut entraîner des blocages de la chaîne dans le palan ou permettre à la chaîne de se briser et d'échapper la charge.

POUR ÉVITER LES BLESSURES:

En raison des exigences de tailles et des propriétés physiques, utiliser seulement la chaîne de levage fournie par CM® Serie 653-A et le palan à levier CM® Serie 653-A.

Notez qu'une chaîne usée peut être une indication d'usure des composantes du levier. Pour cette raison, le cadre du palan, le décapant et la roue de levage devraient être examinés pour l'usure et remplacés si nécessaire au moment de remplacer la chaîne usée (voir DÉSASSEMBLAGE et ASSEMBLAGE).

Aussi, la chaîne de levage est traitée thermiquement et durcie, et ne devrait jamais être réparée.

FRANÇAIS

ENTRETIEN (SUITE)

IMPORTANT: Ne pas utiliser une chaîne remplacée à d'autres fins, comme pour lever ou tirer. La chaîne de levage pourrait briser subitement sans déformation visuelle. Pour cette raison, couper la chaîne en petites sections afin de prévenir l'utilisation après l'élimination.

LUBRIFICATION DE LA CHAÎNE

Une petite quantité de lubrifiant augmentera significativement la durée de vie de la chaîne de levage. Ne laissez pas la chaîne sécher. Gardez-la propre et lubrifiez-la à des intervalles réguliers avec Lubriplate® Bar et l'huile à chaîne 10-R (Fiske Bros. Refining Co.) ou un lubrifiant équivalent. Normalement, une lubrification et un lavage hebdomadaire sont satisfaisants, mais si les conditions sont particulièrement chaudes et sales, il peut être nécessaire de laver la chaîne chaque jour et de la lubrifier plusieurs fois entre les nettoyages.

A AVERTISSEMENT

L'huile à moteur usagée contient des substances cancérigènes.

POUR ÉVITER LES BLESSURES:

Ne jamais utiliser de l'huile à moteur usagée comme lubrifiant pour chaîne. Utiliser seulement Lubriplate® Bar et l'huile à chaîne 10-R comme lubrifiant pour la chaîne de levage.

Au moment de lubrifier la chaîne, appliquer suffisamment de lubrifiant pour obtenir une exploitation facile et une couverture complète, surtout dans la région entre les liens.

Le palan ne nécessite habituellement pas de lubrification additionnelle, sauf s'il a été démonté pour le nettoyage ou une réparation.

IMPORTANT: Le frein est conçu pour opérer lorsque sec. Ne pas utiliser de graisse ou de lubrifiant sur les surfaces des freins.

A AVERTISSEMENT

Utiliser toute graisse ou lubrifiant sur les surfaces des freins peut causer le dérapage des freins et la perte de contrôle de la charge, ce qui pourrait résulter en blessure ou dégâts matériels.

POUR ÉVITER LES BLESSURES:

Ne pas utiliser de graisse ou lubrifiant sur les surfaces de freins. Le frein est conçu pour opérer à sec.

Au moment de lubrifier les pièces adjacentes au frein, ne pas utiliser trop de lubrifiant, qui pourrait suinter sur les autres surfaces de freins.

Lorsque le palan est désassemblé pour nettoyage ou réparation, les endroits suivants doivent être lubrifiés avec environ 1 fl. oz. Par palan de graisse BR-2-S (Dow Corning), Molytex #2 (Texaco) ou TopMoly (Topsall) ou lubrifiant équivalent: engrenages, bagues de la roue de levage, extérieur de l'arbre de pignon, surfaces de bagues du cadre et surface de bagues de la couverture des vitesses. Assurez-vous de nettoyer complètement l'ancienne graisse de ces pièces avant de lubrifier à nouveau.

IMPORTANT: Afin de garantir une longue durée de vie et une bonne performance, soyez assurés de lubrifier les diverses pièces du palan en utilisant les lubrifiants mentionnés ci-dessus. Si désiré, ces lubrifiants peuvent être achetés par Columbus McKinnon (Voir Figure 13, page 11).

DÉSASSEMBLAGE ET ASSEMBLAGE

L'illustration des pièces et la section avec la liste des pièces pour la réparation montrent la disposition générale et le nom des pièces du palan à levier manuel CM® Serie 653-A. Ces sections devraient être utilisées pour le désassemblage et l'assemblage des unités afin que toutes les pièces soient proprement installées.

DÉSASSEMBLAGE

Pour remplacer la roue de levage ou le décapant, désassembler complètement l'unité: retirer la chaîne (Voir REMPLACEMENT DE LA CHAÎNE DE LEVAGE, page 10) puis retirer les composantes suivantes: deux vis à tête cylindriques M5X25, capuchon, verrou, écrou, boulon, vérifier la rondelle, roue de manœuvre, ressort de pression, bague de collet, écrous cylindriques, les couvercles de côté des freins incluant l'assemblage du levier, la roue à rochet

ou l'assemblage de surcharge, l'assemblage de disque de rochet, moyeu, assemblage de plaque latérale du levier, guides, décapant.

Côté engrenage, retirer les composantes suivantes: écrous du cylindre, assemblage du boîtier d'engrenage, assemblage d'engrenages droits, arbre de transmission, rondelle d'arbre de transmission, équipement de charge, arbre du crochet supérieur, assemblage du crochet supérieur.

ASSEMBLAGE

Avant l'assemblage, vérifier toutes les pièces pour usure excessive, craques et distorsion. Remplacer les pièces si nécessaire et assembler l'unité dans l'ordre inverse donné ci-dessus.

SYNCHRONISATION DES VITESSES

Au moment d'assembler les vitesses, elles doivent être orientées vers les marques de calage, comme démontré. (Utilisez la figure Synchronisation des vitesses). Note: Pour les unités de 1,5 Tonne, l'orientation du pignon ou de l'assemblage des vitesses A et B ne sont pas pertinentes puisque les marques de calage sont orientées comme sur la figure et chacun des deux assemblages (A et B) est présent.

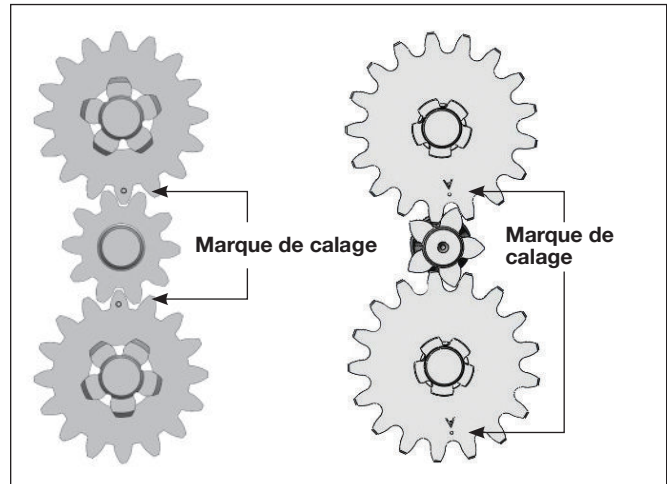
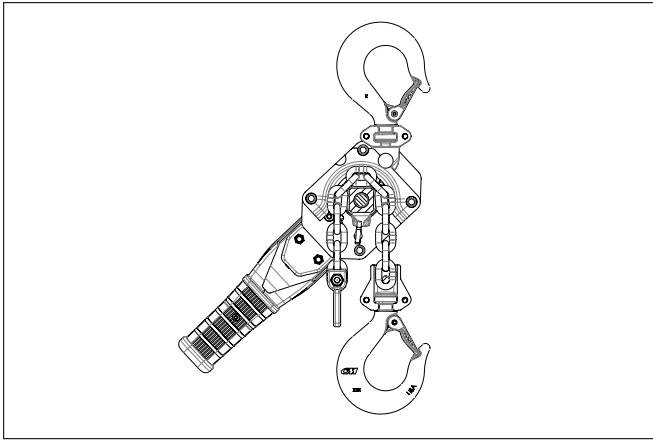


Figure 10 - Synchronisation des vitesses (0.75, 1 et 1.5 Tonne) Figure 11 - Synchronisation des vitesses (2, 3 et 6 Tonne)

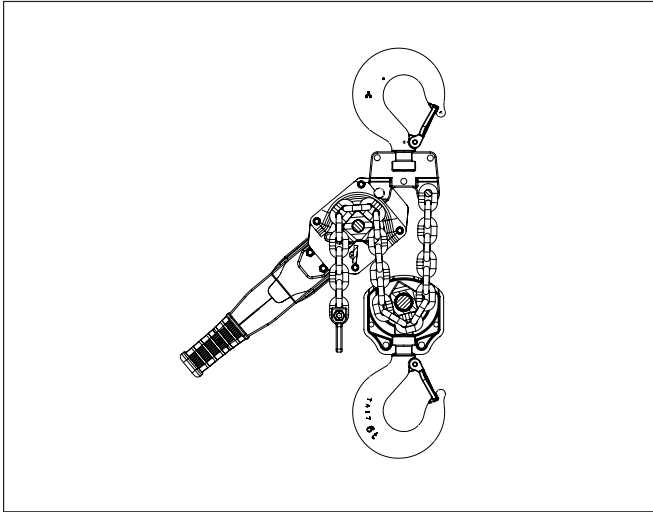
REMPACEMENT DE LA CHAÎNE DE LEVAGE

Pour remplacer la chaîne de levage, retirer le bloc du crochet inférieur et l'arrêt de chaîne de la chaîne. Déplacer le levier directionnel en position neutre "N" et tirer sur la vieille chaîne pour la sortir du palan. Entrer une partie d'un câble dans un côté du guide de chaîne et par-dessus la roue de levage, jusqu'à ce qu'il sorte de l'autre côté du guide de chaîne. Attacher le câble à une extrémité de la nouvelle chaîne. Positionner la chaîne afin que le premier maillon qui entre dans le guide chaîne pointe vers le haut et que la soudure de tous les maillons soit loin de la roue de levage. Tirer sur le câble jusqu'à ce que la chaîne s'engage dans la roue de levage. Tourner la poignée d'enchaînement libre, en tirant sur le câble, jusqu'à ce que la chaîne sorte du guide de chaîne. Tirer la chaîne au travers et retirer le câble. Attacher le bloc du crochet inférieur à la chaîne qui se trouve directement sous le crochet supérieur.



Installation en chaîne à passage unique (0.75 - 3 Tonne)

FRANÇAIS



Installation de la chaîne à passage unique (6 tonnes)

PIÈCES DE RECHANGE RECOMMANDÉES

Assemblage de cliquet de disque
Ensemble de barrures
Assemblage de crochet supérieur et inférieur

AVERTISSEMENT

Des altérations ou modifications de l'équipement et l'utilisation de pièces autres que les pièces de rechange du palan à levier CM® Serie 653-A peuvent entraîner une utilisation dangereuse et des blessures

POUR ÉVITER LES BLESSURES:

Ne pas altérer ou modifier l'équipement. Utiliser seulement les pièces de remplacement fournies par CM® Serie 653-A.

ENTRETIEN PRÉVENTIF

En plus des procédures d'inspection, un programme d'entretien préventif devrait être établi pour prolonger la durée de vie du palan, maintenir sa fiabilité et une utilisation sécuritaire continue. Le programme devrait inclure les inspections périodiques en portant une attention particulière à la lubrification des diverses composantes en utilisant les lubrifiants recommandés (voir Figure 13).

ESSAI

Avant l'utilisation initiale, tous les palans réparés ou inutilisés n'ayant pas été opérés pour les 12 derniers mois devraient être testés pour une utilisation appropriée. Testez l'unité en premier lieu lorsqu'elle n'est pas chargée et ensuite avec une charge légère de 100 livres (45 kg) fois le nombre de parties supportant la charge de la chaîne de levage afin d'être certain que tout fonctionne de façon appropriée et que les freins supportent bien la charge lorsque le levier est relâché ; puis testez avec une charge de 125% de la capacité nominale.

De plus, les palans qui ont eu des pièces remplacées doivent être testés à une capacité de 125% par ou sous la direction d'une personne désignée et un rapport écrit doit être préparé à des fins d'enregistrement.

NOTE: Pour de l'information additionnelle sur l'inspection et l'essai, référez-vous au ASME B30.21 "Palan à levier manuel" disponible au département ASME, 22 Law Drive, Boîte 2300, Fairfield, NJ 07007-2300, É.-U.

RAPPORT DE L'INSPECTEUR			
ITEM	REMARQUES (LISTE DES DÉFAILLANCES ET ACTIONS RECOMMANDÉES)		
Signature de l'inspecteur	Date de l'inspection	Approuvé par	Date

Figure 12 - Rapport recommandé par l'inspecteur

COMPOSANTE	TYPE DE LUBRIFIANT	COMMANDE PIÈCE NO	TYPE DE SERVICE ET FRÉQUENCE DE LUBRIFICATION		
			LOURDE	NORMALE	OCCASIONNELLE
Chaîne de levage	Huile (Voir page 8)	28619 (1 gal. can)	Quotidien	Hebdomadaire	Mensuel
			Quand le palan est démonté pour le nettoyage et les réparations		
Engrenages, bagues, roue de levage et arbre du pignon	Graisse (Voir page 8)	28618 (1 lb. can)	Quand le palan est démonté pour le nettoyage et les réparations		

(*) Cet horaire de lubrification est basé sur un palan fonctionnant dans des conditions environnementales normales. Les palans fonctionnant dans des conditions difficiles comprenant une chaleur excessive, des vapeurs corrosives, de la poussière abrasive, etc., doivent être lubrifiés plus souvent.

Figure 13 - Horaire de lubrification recommandé

ENTRETIEN (SUITE)

LISTE D'INSPECTION ET D'ENTRETIEN PALAN À LEVIER MANUEL

Type de palan _____ Capacité (Tonnes) _____
 Endroit _____ Installation originale Date _____
 Fabricant _____ Numéro de série du fabricant _____

Item	Fréquence d'inspection		Défauts possibles	OK	Mesure à prendre
	Fréquente	Périodique			
	Quotidienne	Tous les 3 mois ou à chaque année, défini par ASME B30.21			
Mécanisme de frein	*	*	Glissement ou dérive excessive. Disques de friction usés, émaillés ou contaminés. Épaisseur du rochet du frein de moins de 7 mm.		
Levier directionnel	*	*	Plie et ne bouge pas librement.		
Poignée rétractable	*	*	Défauts possibles: Plie et ne bouge pas librement. Craques, distorsions, usure excessive, corrosion ou accumulation de matières étrangères.		
Chaîne de levage	*	*	Lubrification inadéquate, usure excessive ou étirement, liens craqués, endommagés ou tordus, corrodés ou obstrués par des corps étrangers.		
Crochets	*	*	Trop grande ouverture, crochets tordus, endommagés ou hors d'usage, dommages chimiques. Craques (utiliser le ressuage, magnétisme ou toute autre méthode de détection appropriée une fois par année.)		
Bloc de crochet inférieur et supérieur, attache du crochet supérieur, guide de chaîne, bagues, engrenages, pignons et moyeu à friction		*	Craques, distorsion, usure excessive, corrosion ou accumulation de matières étrangères.		
Pointe des cliquets et dents des cliquets du levier du rochet		*	Craques, distorsion, usure excessive, corrosion ou accumulation de matières étrangères..		
Poches de la roue de levage, décapant et plaques latérales		*	Craques, distorsion, usure excessive, corrosion ou accumulation de matières étrangères.		
Écrous, boulons, tiges et rivets		*	Craqués, pliés, desserrés ou endommagés.		
Ressort de cliquet, ressort de cliquet directionnel et ressort		*	Corrosion, étirement ou bris.		
Arrêt de chaîne		*	Manquant, craqué, mal fixé à la chaîne ou non correctement positionné.		
Plaque d'identification, étiquettes de sécurité etaining		*	Manquant, endommagé ou illisible.		

NOTE: Consultez les sections Entretien et Inspection de ce manuel pour obtenir plus de détails.

FRÉQUENCE D'INSPECTION

Fréquente – Indique les items qui nécessitent une inspection quotidienne ou avant chaque utilisation. Ces inspections peuvent être effectuées par l'opérateur s'il est proprement désigné.

Périodique – Indique les items qui nécessitent une inspection tous les trois mois. Les inspections doivent être effectuées par la direction ou toute autre personne proprement désignée. La période exacte d'inspection dépendra de la fréquence et du type d'utilisation effectuée. La détermination de cette période sera basée sur l'expérience de l'opérateur. Il est recommandé que l'opérateur commence avec une inspection trimestrielle et étende sa période à semi-annuelle ou annuelle selon son expérience trimestrielle.

NOTE: Cette liste d'inspection et d'entretien est conforme à notre interprétation des exigences des normes de sécurité du palan à levier ASME B30.21. Il s'agit cependant de l'entière responsabilité de l'employeur et de l'opérateur d'interpréter et d'adhérer aux exigences applicables de ces normes de sécurité.

Figure 14 – Inspection recommandée et liste d'entretien

TABLEAU DE DÉPANNAGE

Symptôme	Cause(s) possible(s)	Mesure corrective
Le palan est difficile à opérer dans toute direction.	1. La chaîne de levage est usée aux jagues, pliant ainsi entre la roue de levage et le guide de chaîne.	1. Vérifier la chaîne (voir page 7) et la remplacer si elle est trop usée.
	2. La chaîne de levage est rouillée, corrodée ou obstruée par des corps étrangers, tel que du ciment ou de la boue.	2. Nettoyer la chaîne en la polissant ou en utilisant un solvant non acide ou non caustique. Vérifier la chaîne pour des maillons endommagés ou pliés. Lubrifier avec Lubriplate® Bar et l'huile à chaîne 10-R (Fiske Bros. Refining Co.) ou un lubrifiant équivalent.
	3. Les bagues sont obstruées par des corps étrangers, tel que du ciment, de la boue ou de la poussière.	3. Démonter et nettoyer les bagues de la roue de levage et les bagues de l'engrenage et la plaque latérale (côté engrenage). Les pièces qui semblent excessivement usées doivent être remplacées.
	4. Le levier plie.	4. Nettoyer en enlevant tout corps étranger pouvant se trouver entre le levier et le frein.
	5. Les pièces des freins sont corrodées ou obstruées par des corps étrangers.	5. Démonter le frein et bien nettoyer (en frottant avec un linge et non avec un solvant). Remplacer l'assemblage de cliquet s'il est trop gommant ou usé. Gardez les surfaces des freins propres et sèches.
	6. Les poches de la roue de levage sont obstruées par des corps étrangers, ou excessivement usés, faisant plier la chaîne entre la roue de levage et le guide de chaîne.	6. Nettoyez les poches et utiliser seulement si les pièces ne sont pas excessivement usées. Remplacer la roue de levage si les poches sont trop usées.
	7. La roue de levage est tordue ou pliée dans une des parties courbées des dents.	7. Une surcharge excessive a été appliquée, remplacer les pièces endommagées.
Le palan est difficile à opérer vers le bas.	1. Les pièces des freins sont corrodées ou obstruées par des corps étrangers.	1. Démonter le frein et bien nettoyer (en frottant avec un linge et non avec un solvant). Remplacer l'assemblage de cliquet s'il est trop gommant ou usé. Gardez les surfaces des freins propres et sèches.
	2. La chaîne plie.	2. Nettoyer la chaîne en la polissant ou en utilisant un solvant non acide ou non caustique. Vérifier la chaîne pour des maillons endommagés ou pliés. Lubrifier avec Lubriplate® Bar et l'huile à chaîne 10-R (Fiske Bros. Refining Co.) ou un lubrifiant équivalent.
Le palan est difficile à opérer vers le haut.	1. La chaîne plie.	1. Nettoyer la chaîne en la polissant ou en utilisant un solvant non acide ou non caustique. Vérifier la chaîne pour des maillons endommagés ou pliés. Lubrifier avec Lubriplate® Bar et l'huile à chaîne 10-R (Fiske Bros. Refining Co.) ou un lubrifiant équivalent.
	2. Surcharge.	2. Réduire la charge ou utiliser une unité à capacité adéquate.

RÉPARATION LISTE DES PIÈCES

AVERTISSEMENT

L'utilisation de pièces commerciales ou d'autres fabricants pour réparer le CM® Serie 653-A peut entraîner la perte de la charge.

POUR ÉVITER LES BLESSURES:

Utiliser seulement les pièces de remplacement fournies par CM. Les pièces peuvent se ressembler, mais les pièces CM sont faites de matériaux spécifiques et traitées pour obtenir des propriétés précises.

**PARTS
STAR** 
BY COLUMBUS MCKINNON

FRANÇAIS

INSTRUCTIONS DE COMMANDE

L'information qui suit doit accompagner toute correspondance concernant une commande pour des pièces de remplacement:

1. Numéro de modèle du palan et plaque d'identification.
2. Numéro de série du palan étampé sous la plaque d'identification.
3. Longueur du monte-charge.
4. Numéro de pièce de la liste des pièces.
5. Nombre de pièces requises.
6. Nom de pièce de la liste de pièces.

NOTE: Au moment de commander les pièces de remplacement, il est recommandé de considérer le besoin de commander des items tel que les écrous, boulons, goupilles fendues, etc. Ces items peuvent être endommagés ou perdus durant le désassemblage ou ne pas convenir aux utilisations futures en raison de la détérioration avec le temps ou le service.

PALAN À LEVIER MANUEL CM® SERIE 653-A

No Pièce	Manu- el #	Description	Qté.
653A-0001		653-A ENSEMBLE D'ENGRENAGE 0.75T	
-	15	ENGRENAGE DE CHARGE	1
-	16	ASSEMBLAGE D'ENGRENAGE À DENTURE	2
-	17	RONDELLE DE L'ARBRE D'ENTRAÎNEMENT	1
-	8	ARBRE D'ENTRAÎNEMENT	1
653A-0002		653-A ENSEMBLE D'ENGRENAGE 1T & 1.5T	
-	15	ASSEMBLAGE D'ENGRENAGE À DENTURE 'A'	1
-	16	ASSEMBLAGE D'ENGRENAGE À DENTURE 'B'	1
-	17	RONDELLE DE L'ARBRE D'ENTRAÎNEMENT	1
-	19	ENGRENAGE DE CHARGE	1
-	8	ARBRE D'ENTRAÎNEMENT	1
653A-0003		653-A ENSEMBLE D'ENGRENAGE 2T, 3T & 6T	
-	18	ENGRENAGE DE CHARGE	1
-	16	ASSEMBLAGE D'ENGRENAGE À DENTURE	2
-	22	RONDELLE DE L'ARBRE D'ENTRAÎNEMENT	1
-	8	ARBRE D'ENTRAÎNEMENT	1
BAN-0010		ENSEMBLE DE POULIE DE CHARGE 0.75T	
-	18	POULIE DE CHARGE	1
-	17	RONDELLE DE L'ARBRE D'ENTRAÎNEMENT	1
BAN-0011		ENSEMBLE DE POULIE DE CHARGE 1T & 1.5T	
-	18	POULIE DE CHARGE	1
-	17	RONDELLE DE L'ARBRE D'ENTRAÎNEMENT	1
BAN-0012		ENSEMBLE DE POULIE DE CHARGE 2T, 3T & 6T	
-	17	POULIE DE CHARGE	1
-	20	ROULEMENT DE L'ENGRENAGE DE CHARGE	2
653A-0020		653-A ENSEMBLE DE PANNEAU LATÉRAL 0.75T	
-	1	ENSEMBLE DE PANNEAU LATÉRAL POUR ENGRENAGE	1
-	22	TORNILLO DE CABEZA DE BOTÓN	1
653A-0021		653-A ENSEMBLE DE PANNEAU LATÉRAL 1T & 1.5T	
-	1	ENSEMBLE DE PANNEAU LATÉRAL POUR ENGRENAGE	1
-	23	TORNILLO DE CABEZA DE BOTÓN	1
653A-0022		653-A ENSEMBLE DE PANNEAU LATÉRAL 2T, 3T & 6T	
-	1	ENSEMBLE DE PANNEAU LATÉRAL POUR ENGRENAGE	1
-	23	TORNILLO DE CABEZA DE BOTÓN	1
-	20	ROULEMENT LEVAGE (BAGUE EXTÉRIEURE + ROULEAUX)	2
653A-0023		653-A ENSEMBLE DE PANNEAU LATÉRAL POUR LEVIER 0.75T	
-	22	TORNILLO DE CABEZA DE BOTÓN	1
-	2	ENSEMBLE DE PANNEAU LATÉRAL POUR LEVIER	1
653A-0024		653-A ENSEMBLE DE PANNEAU LATÉRAL POUR LEVIER 1T & 1.5T	
-	23	TORNILLO DE CABEZA DE BOTÓN	1
-	2	ENSEMBLE DE PANNEAU LATÉRAL POUR LEVIER	1
653A-0025		653-A ENSEMBLE DE PANNEAU LATÉRAL POUR LEVIER 2T, 3T & 6T	
-	12	VIS CYLINDRIQUE M8 - 13 X 22	4
-	23	TORNILLO DE CABEZA DE BOTÓN	1
-	20	ROULEMENT LEVAGE (BAGUE EXTÉRIEURE + ROULEAUX)	2
653A-0030		653-A ENSEMBLE DE DÉNUDEUR 0.75T	
-	13	GUIDE DE CHÂÎNE	1
-	14	DÉNUDEUR	1
653A-0031		653-A ENSEMBLE DE DÉNUDEUR 1T & 1.5T	
-	13	GUIDE DE CHÂÎNE	1
-	14	DÉNUDEUR	1

No Pièce	Manu- el #	Description	Qté.
653A-0032		653-A ENSEMBLE DE DÉNUDEUR 2T, 3T & 6T	
-	13	GUIDE DE CHÂÎNE	1
-	14	DÉNUDEUR	1
653A-0040		653-A ENSEMBLE D'ENGRENAGE 0.75T	
-	12	GOUPILLE FENDUE	1
-	6	ENGRENAGE DE TRANSITION	1
653A-0041		653-A ENSEMBLE D'ENGRENAGE 1T & 1.5T	
-	12	GOUPILLE FENDUE	1
-	6	ENGRENAGE DE TRANSITION	1
653A-0042		653-A ENSEMBLE D'ENGRENAGE 2T, 3T & 6T	
-	12	GOUPILLE FENDUE	1
-	6	ENGRENAGE DE TRANSITION	1
653A-0050		653-A ENSEMBLE DE RESSORT 0.75T, 1T & 1.5T	
-	11	RESSORT DE PRESSION	1
-	20	RESSORT DE CLIQUET	2
653A-0051		653-A ENSEMBLE DE RESSORT 2T, 3T & 6T	
-	11	RESSORT DE PRESSION	1
-	15	RESSORT DE CLIQUET	2
TOR-0050	-	653-A ARRÊT DE CHÂÎNE 0.75T	
-	31	ANNEAU DE SÉCURITÉ	1
-	34	VIS ANNEAU DE SÉCURITÉ	1
-	35	M6 ÉCROU HEXAGONAL	1
TOR-0051		653-A ARRÊT DE CHÂÎNE 1T & 1.5T	
-	38	ANNEAU DE SÉCURITÉ	1
-	41	VIS ANNEAU DE SÉCURITÉ	1
-	42	M8 ÉCROU HEXAGONAL	1
TOR-0052		653-A ARRÊT DE CHÂÎNE 2T & 3T	
-	32	ANNEAU DE SÉCURITÉ	1
-	35	VIS ANNEAU DE SÉCURITÉ	1
-	36	ÉCROU HEXAGONAL M10	2
TOR-0052		653-A ARRÊT DE CHÂÎNE 6T	
-	32	ANNEAU DE SÉCURITÉ	1
-	35	VIS ANNEAU DE SÉCURITÉ	1
-	37	ÉCROU HEXAGONAL M10	1
653A-0070		653-A ENSEMBLE DE CLIQUET 0.75T, 1T & 1.5T	
-	9	MOYEU DE DISQUE	1
-	10	ENSEMBLE DE DISQUE À CLIQUET	1
-	11	RESSORT DE PRESSION	1
653A-0071		653-A ENSEMBLE DE CLIQUET 2T, 3T & 6T	
-	9	MOYEU DE DISQUE	1
-	10	ENSEMBLE DE DISQUE À CLIQUET	1
-	11	RESSORT DE PRESSION	1
653A-0080		653-A ENSEMBLE DE COUVERCLE DE FREIN 0.75T	
-	4	ENSEMBLE DE COUVERCLE DE FREIN	1
-	24	ÉCROU HEXAGONAL M8	4
653A-0081		653-A ENSEMBLE DE COUVERCLE DE FREIN 1T & 1.5T	
-	4	ENSEMBLE DE COUVERCLE DE FREIN	1
-	25	ÉCROU HEXAGONAL M8	4

FRANÇAIS

PALAN À LEVIER MANUEL CM® SERIE 653-A

FRANÇAIS

No Pièce	Manu- el #	Description	Qté.
653A-0082		653-A ENSEMBLE DE COUVERCLE DE FREIN 2T, 3T & 6T	
-	4	ENSEMBLE DE COUVERCLE DE FREIN	1
-	26	ÉCROU HEXAGONAL M8	4
653A-0083		653-A ENSEMBLE DE COUVERCLE D'ENGRENAGE 0.75T	
-	3	ENSEMBLE DE COUVERCLE POUR CÔTÉS	1
-	24	ÉCROU HEXAGONAL M8	4
653A-0084		653-A ENSEMBLE DE COUVERCLE D'ENGRENAGE 1T & 1.5T	
-	3	ENSEMBLE DE COUVERCLE POUR CÔTÉS	1
-	25	ÉCROU HEXAGONAL M8	4
653A-0085		653-A ENSEMBLE DE COUVERCLE D'ENGRENAGE 2T, 3T & 6T	
-	3	ENSEMBLE DE COUVERCLE POUR CÔTÉS	1
-	26	ÉCROU HEXAGONAL M8	4
653A-0090		653-A ENSEMBLE DE MATÉRIEL 0.75T	
-	27	E-CLIP	2
-	25	ÉCROU HEXAGONAL M6	2
-	23	VIS CYLINDRIQUE	2
-	24	ÉCROU HEXAGONAL M8	9
-	26	RONDELLE	1
-	22	TORNILLO DE CABEZA DE BOTÓN	1
653A-0090		653-A ENSEMBLE DE MATÉRIEL 1T & 1.5T	
-	28	E-CLIP	2
-	26	ÉCROU HEXAGONAL M6	2
-	24	VIS CYLINDRIQUE	2
-	25	ÉCROU HEXAGONAL M8	9
-	27	RONDELLE	1
-	23	TORNILLO DE CABEZA DE BOTÓN	1
653A-0091		653-A ENSEMBLE DE MATÉRIEL 2T, 3T & 6T	
-	28	E-CLIP	2
-	25	ÉCROU HEXAGONAL M10	1
-	24	VIS CYLINDRIQUE	2
-	26	ÉCROU HEXAGONAL M8	10
-	27	RONDELLE	1
-	23	TORNILLO DE CABEZA DE BOTÓN	1
-	22	RONDELLE DE L'ARBRE D'ENTRAÎNEMENT	1
653A-0100		653-A ENSEMBLE DE CLIQUET 0.75T	
-	20	RESSORT DE CLIQUET	2
-	21	CLIQUET	2
-	27	E-CLIP	2
653A-0100		653-A ENSEMBLE DE CLIQUET 1T & 1.5T	
-	20	RESSORT DE CLIQUET	2
-	21	CLIQUET	2
-	28	E-CLIP	2
653A-0101		653-A ENSEMBLE DE CLIQUET 2T, 3T & 6T	
-	15	RESSORT DE CLIQUET	2
-	21	CLIQUET	2
-	28	E-CLIP	2

No Pièce	Manu- el #	Description	Qté.
653A-0110		653-A ENSEMBLE DE VOLANT 0.75T	
-	23	VIS CYLINDRIQUE	2
-	7	ENSEMBLE DE VOLANT	1
-	12	GOUPILLE FENDUE	1
-	26	RONDELLE	1
-	10	ENGRENAGE DE TRANSITION	1
-	24	ÉCROU HEXAGONAL M8	1
653A-0110		653-A ENSEMBLE DE VOLANT 1T & 1.5T	
-	24	VIS CYLINDRIQUE	2
-	7	ENSEMBLE DE VOLANT	1
-	12	GOUPILLE FENDUE	1
-	27	RONDELLE	1
-	10	ENGRENAGE DE TRANSITION	1
-	25	ÉCROU HEXAGONAL M8	1
653A-0111		653-A ENSEMBLE DE VOLANT 2T, 3T & 6T	
-	24	VIS CYLINDRIQUE	2
-	7	ENSEMBLE DE VOLANT	1
-	12	GOUPILLE FENDUE	1
-	27	RONDELLE	1
-	10	ENGRENAGE DE TRANSITION	1
-	25	ÉCROU HEXAGONAL M10	1
BAN-0120		653-A ENSEMBLE DE MONTAGE DE CROCHET SUPÉRIEUR KIT 0.75T	
-	28	ENSEMBLE DE MONTAGE DE CROCHET SUPÉRIEUR	1
653A-0120		653-A ENSEMBLE DE MONTAGE DE CROCHET SUPÉRIEUR KIT 1T	
-	29	ENSEMBLE DE MONTAGE DE CROCHET SUPÉRIEUR	1
BAN-0121		653-A ENSEMBLE DE MONTAGE DE CROCHET SUPÉRIEUR KIT 1.5T	
-	29	ENSEMBLE DE MONTAGE DE CROCHET SUPÉRIEUR	1
653A-0121		653-A ENSEMBLE DE MONTAGE DE CROCHET SUPÉRIEUR KIT 2T	
-	29	ENSEMBLE DE MONTAGE DE CROCHET SUPÉRIEUR	1
BAN-0122		653-A ENSEMBLE DE MONTAGE DE CROCHET SUPÉRIEUR KIT 3T	
-	29	ENSEMBLE DE MONTAGE DE CROCHET SUPÉRIEUR	1
BAN-0123		653-A ENSEMBLE DE MONTAGE DE CROCHET SUPÉRIEUR KIT 6T	
-	29	ENSEMBLE DE MONTAGE DE CROCHET SUPÉRIEUR	1
BAN-0130		653-A BLOC DU CROCHET INFÉRIEUR 0.75T	
-	29	ENSEMBLE DE MONTAGE DE CROCHET INFÉRIEUR (INCL. 30, 33 + 35)	1
-	33	BOULON DE CHAÎNE	1
-	30	ENSEMBLE DE BARRURE	2
-	35	ÉCROU HEXAGONAL M6	2
653A-0130		653-A BLOC DU CROCHET INFÉRIEUR 1T	
-	30	ENSEMBLE DE MONTAGE DE CROCHET INFÉRIEUR (INCL. 34 + 36)	1
-	34	BOULON DE CHAÎNE	1
-	31	ENSEMBLE DE BARRURE	2
-	36	ÉCROU HEXAGONAL M8	2

PALAN À LEVIER MANUEL CM® SERIE 653-A

No Pièce	Manu- el #	Description	Qté.
BAN-0131		BLOC DU CROCHET INFÉRIEUR 1.5 TONNE	
-	30	ENSEMBLE DE MONTAGE DE CROCHET INFÉRIEUR (INCL. 34 + 36)	1
-	34	BOULON DE CHAÎNE	1
-	31	ENSEMBLE DE BARRURE	2
-	36	ÉCROU HEXAGONAL M8	2
653A-0131		653-A BLOC DU CROCHET INFÉRIEUR 2T	
-	30	ENSEMBLE DE MONTAGE DE CROCHET INFÉRIEUR (INCL. 34 + 36)	1
-	34	BOULON DE CHAÎNE	1
-	31	ENSEMBLE DE BARRURE	2
-	36	ÉCROU HEXAGONAL M10	2
BAN-0132		653-A BLOC DU CROCHET INFÉRIEUR 3T	
-	30	ENSEMBLE DE MONTAGE DE CROCHET INFÉRIEUR (INCL. 34 + 36)	1
-	34	BOULON DE CHAÎNE	1
-	31	ENSEMBLE DE BARRURE	2
-	36	ÉCROU HEXAGONAL M10	2
BAN-0133		653-A BLOC DU CROCHET INFÉRIEUR 6T	
-	30	ENSEMBLE DE MONTAGE DE CROCHET INFÉRIEUR (INCL. 34 + 36)	1
-	34	BOULON DE CHAÎNE	1
-	31	ENSEMBLE DE BARRURE	2
-	36	ÉCROU HEXAGONAL M12	1
BAN-0141		653-A ENSEMBLE POIGNÉE EN CAOUTCHOUC 0.75T, 1T, 2T, 3T, 6T	
-	-	POIGNÉE EN CAOUTCHOUC	1
-	-	AGRAFE	1
-	-	VIS CYLINDRIQUE AGRAFE	1
PIÈCES DISPONIBLES EN COMPOSANTES INDIVIDUELLES			
0,75 TON			
192051361	5	ASSEMBLAGE DE POIGNÉE DE LEVIER (INCL. ÉTIQUETTE DE NOM)	1
00002034	19	ARBRE DE CROCHET SUPÉRIEUR	1
192035181	N/A	ANNEAU FENDU POUR L'ÉTIQUETTE D'AVERTISSEMENT	1
192061167	N/A	L'ÉTIQUETTE D'AVERTISSEMENT	1
635121EN	32	5.6X17.1 MM CHAÎNE DE LEVAGE	-
192051362	36	ÉTIQUETTE DE NOM	1
89033012	37	VIS CYLINDRIQUE	4
53820	30	ENSEMBLE DE BARRURE	2
N09108068	22	TORNILLO DE CABEZA DE BOTÓN	1
N09102257	23	VIS CYLINDRIQUE	2
89022036	24	ÉCROU HEXAGONAL M8	9
89022032	25	ÉCROU HEXAGONAL M6	2
N09121200	26	RONDELLE	1
N09123040	27	E-CLIP	2

No Pièce	Manu- el #	Description	Qté.
1 TON			
192063669	5	ASSEMBLAGE DE POIGNÉE DE LEVIER (INCL. ÉTIQUETTE DE NOM)	1
00002137	20	ARBRE DE CROCHET SUPÉRIEUR	1
192035181	N/A	ANNEAU FENDU POUR L'ÉTIQUETTE D'AVERTISSEMENT	1
192061167	N/A	L'ÉTIQUETTE D'AVERTISSEMENT	1
635128EN	33	7.1X21 MM CHAÎNE DE LEVAGE	-
192063670	37	ÉTIQUETTE DE NOM	1
89033012	38	VIS CYLINDRIQUE	4
N00400450	31	ENSEMBLE DE BARRURE	2
N09108068	23	TORNILLO DE CABEZA DE BOTÓN	1
N09102257	24	VIS CYLINDRIQUE	2
89022036	25	ÉCROU HEXAGONAL M8	9
89022032	26	ÉCROU HEXAGONAL M6	2
N09121200	27	RONDELLE	1
N09123040	28	E-CLIP	2
1,5 TON			
192051309	5	ASSEMBLAGE DE POIGNÉE DE LEVIER (INCL. ÉTIQUETTE DE NOM)	1
00002137	20	ARBRE DE CROCHET SUPÉRIEUR	1
192035181	N/A	ANNEAU FENDU POUR L'ÉTIQUETTE D'AVERTISSEMENT	1
192061167	N/A	L'ÉTIQUETTE D'AVERTISSEMENT	1
635128EN	33	7.1X21 MM CHAÎNE DE LEVAGE	-
192051310	37	ÉTIQUETTE DE NOM	1
89033012	38	VIS CYLINDRIQUE	4
53821	31	ENSEMBLE DE BARRURE	2
N09108068	23	TORNILLO DE CABEZA DE BOTÓN	1
N09102257	24	VIS CYLINDRIQUE	2
89022036	25	ÉCROU HEXAGONAL M8	9
89022032	26	ÉCROU HEXAGONAL M6	2
N09121200	27	RONDELLE	1
N09123040	28	E-CLIP	2
2 TON			
192051685	5	ASSEMBLAGE DE POIGNÉE DE LEVIER (INCL. ÉTIQUETTE DE NOM)	1
00002331	19	ARBRE DE CROCHET SUPÉRIEUR	1
192035181	N/A	ANNEAU FENDU POUR L'ÉTIQUETTE D'AVERTISSEMENT	1
192061167	N/A	L'ÉTIQUETTE D'AVERTISSEMENT	1
85394L	33	10X28 MM CHAÎNE DE LEVAGE	-
192063686	37	ÉTIQUETTE DE NOM	1
89033012	38	VIS CYLINDRIQUE	4
N00400451	31	ENSEMBLE DE BARRURE	2
N09108069	23	TORNILLO DE CABEZA DE BOTÓN	1
N09102257	24	VIS CYLINDRIQUE	2
89022012	25	ÉCROU HEXAGONAL M10	1
89022036	26	ÉCROU HEXAGONAL M8	10
N09121045	27	RONDELLE	1
N09123046	28	E-CLIP	2

PALAN À LEVIER MANUEL CM® SERIE 653-A

FRANÇAIS

No Pièce	Manuel #	Description	Qté.
3 TON			
192051465	5	ASSEMBLAGE DE POIGNÉE DE LEVIER (INCL. ÉTIQUETTE DE NOM)	1
00002331	19	ARBRE DE CROCHET SUPÉRIEUR	1
192035181	N/A	ANNEAU FENDU POUR L'ÉTIQUETTE D'AVERTISSEMENT	1
192061167	N/A	L'ÉTIQUETTE D'AVERTISSEMENT	1
85394L	33	10X28 MM CHAÎNE DE LEVAGE	-
192051467	37	ÉTIQUETTE DE NOM	1
89033012	38	VIS CYLINDRIQUE	4
53822	31	ENSEMBLE DE BARRURE	2
N09108069	23	TORNILLO DE CABEZA DE BOTÓN	1
N09102257	24	VIS CYLINDRIQUE	2
89022012	25	ÉCROU HEXAGONAL M10	1
89022036	26	ÉCROU HEXAGONAL M8	10
N09121045	27	RONDELLE	1
N09123046	28	E-CLIP	2
6 TON			
192051821	5	ASSEMBLAGE DE POIGNÉE DE LEVIER (INCL. ÉTIQUETTE DE NOM)	1
00002331	19	ARBRE DE CROCHET SUPÉRIEUR	1
192035181	N/A	ANNEAU FENDU POUR L'ÉTIQUETTE D'AVERTISSEMENT	1
192061167	N/A	L'ÉTIQUETTE D'AVERTISSEMENT	1
85394L	33	10X28 MM CHAÎNE DE LEVAGE	-
192051820	38	ÉTIQUETTE DE NOM	1
89033012	39	VIS CYLINDRIQUE	4
53940	31	ENSEMBLE DE BARRURE	2
N09108069	23	TORNILLO DE CABEZA DE BOTÓN	1
N09102257	24	VIS CYLINDRIQUE	2
89022012	25	ÉCROU HEXAGONAL M10	1
89022036	26	ÉCROU HEXAGONAL M8	10
N09121045	27	RONDELLE	1
N09123046	28	E-CLIP	2

DIAGRAMME PIÈCES 1 TONNE

FRANÇAIS

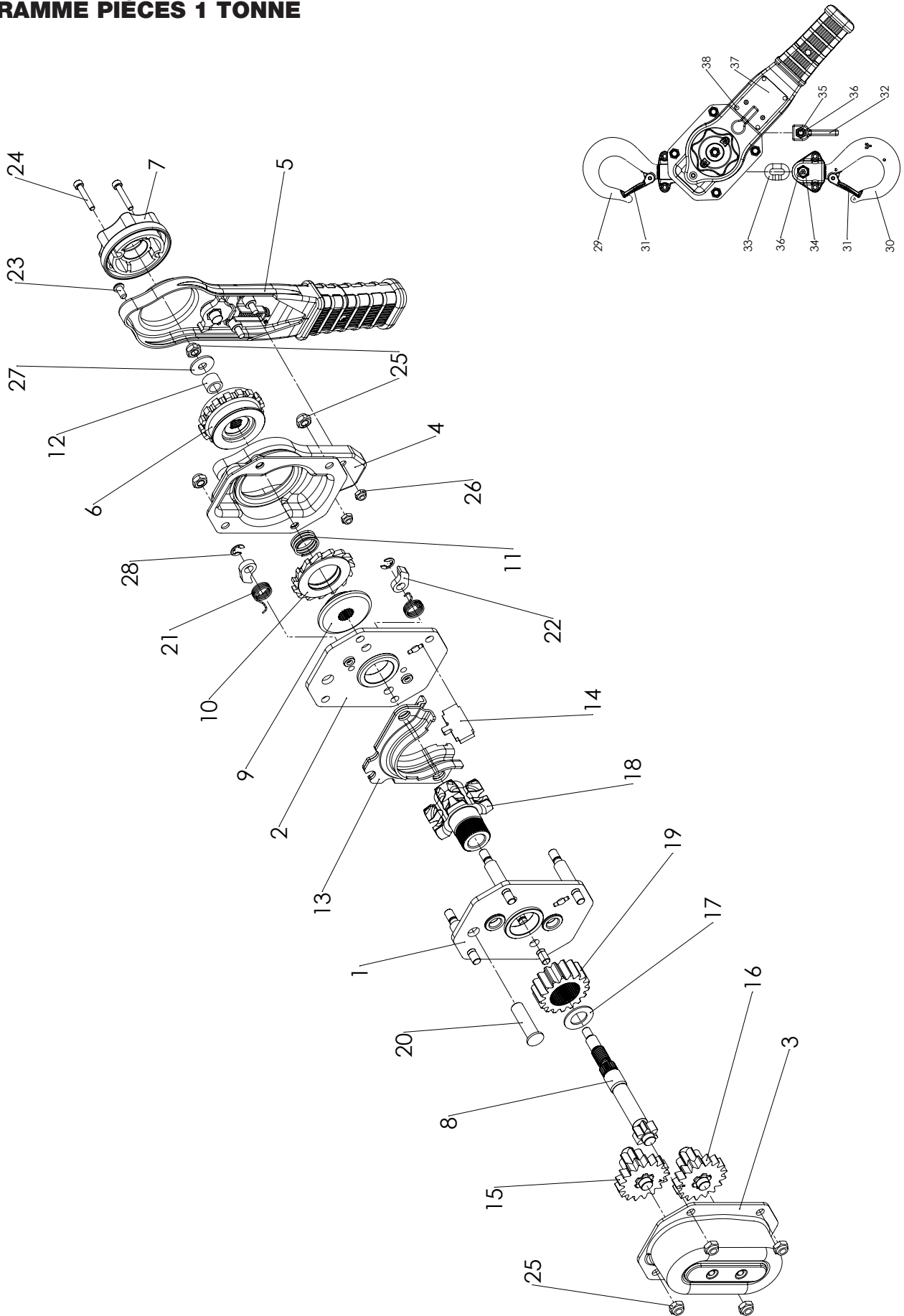
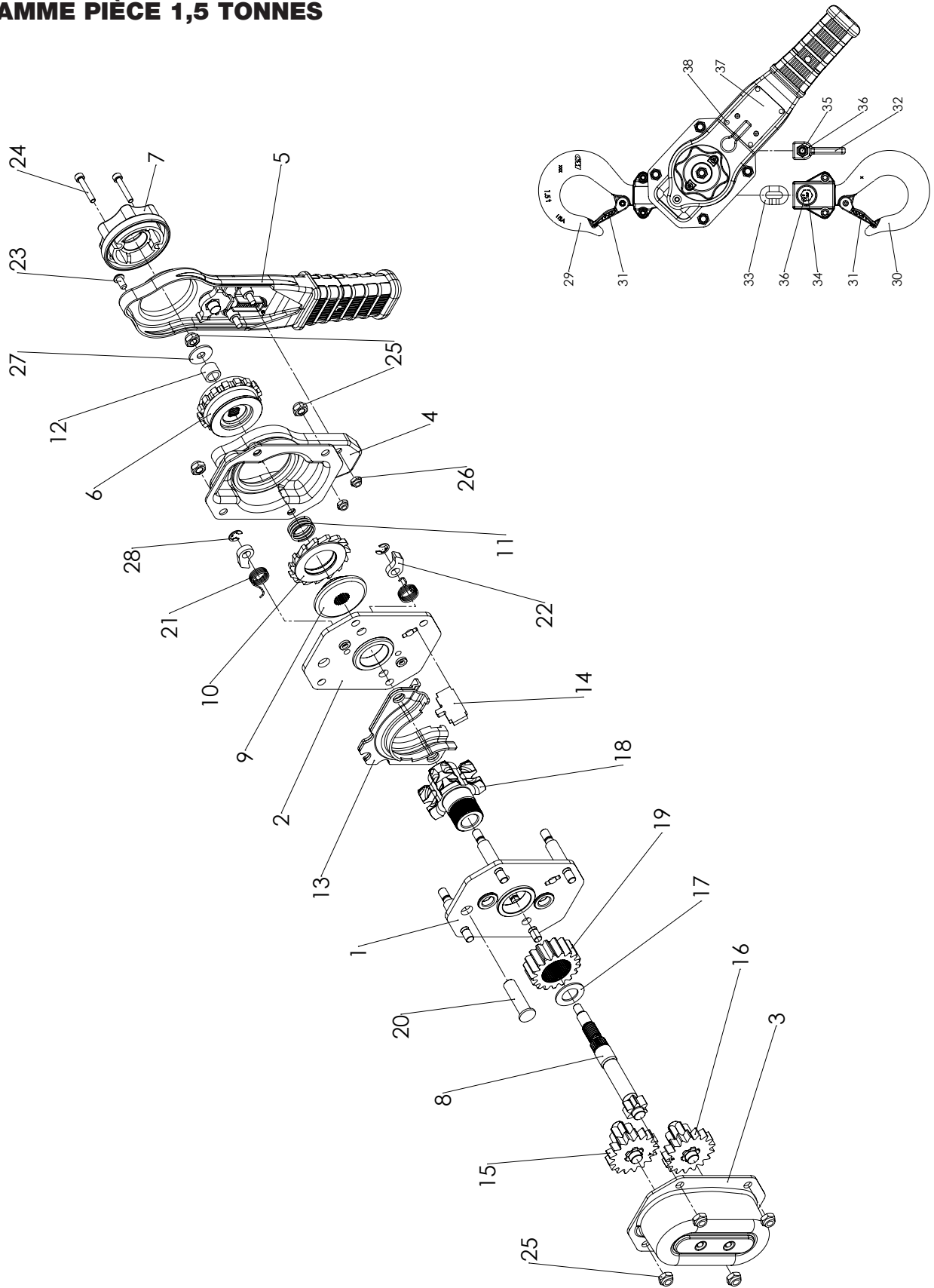
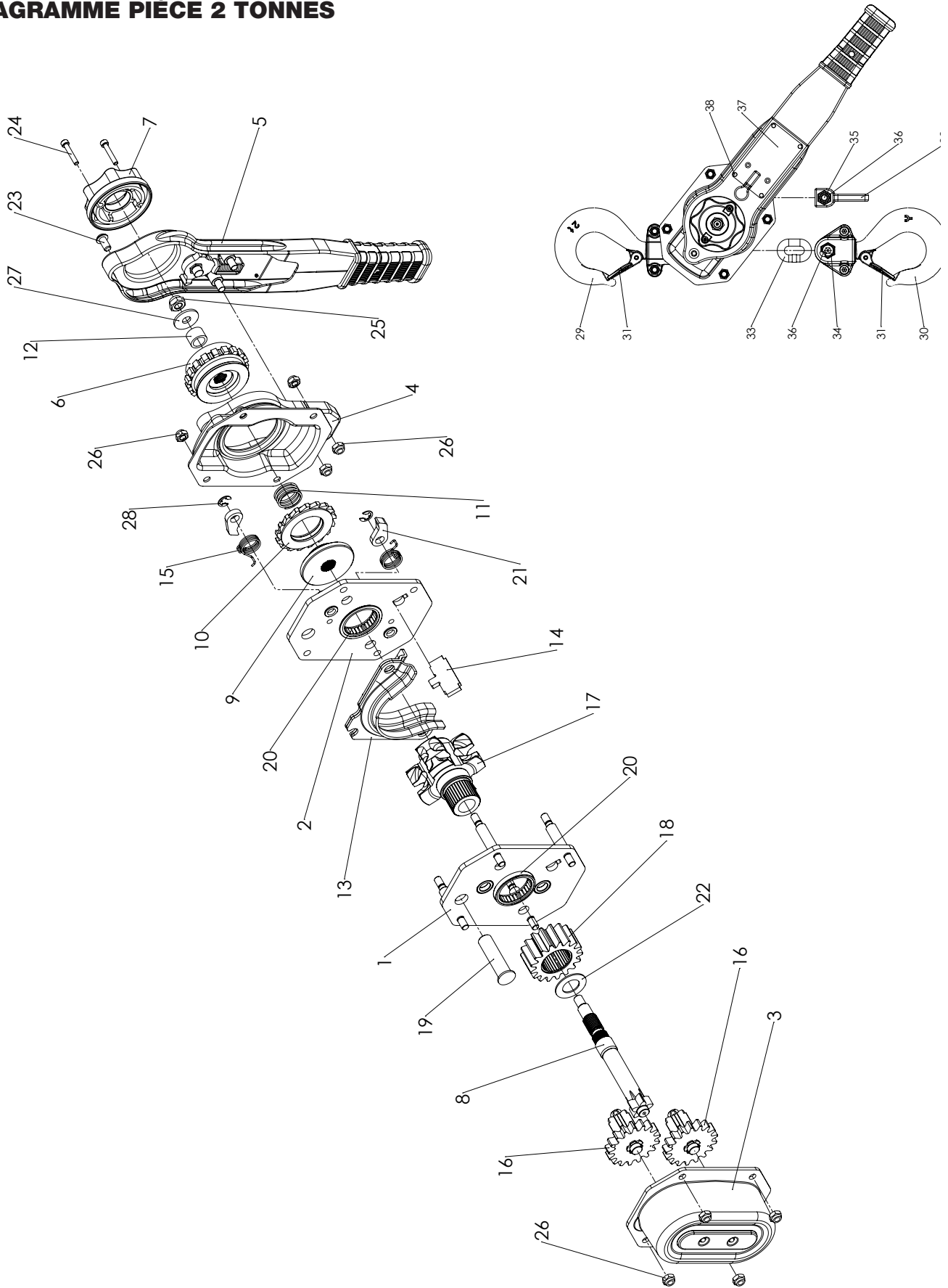


DIAGRAMME PIÈCE 1,5 TONNES



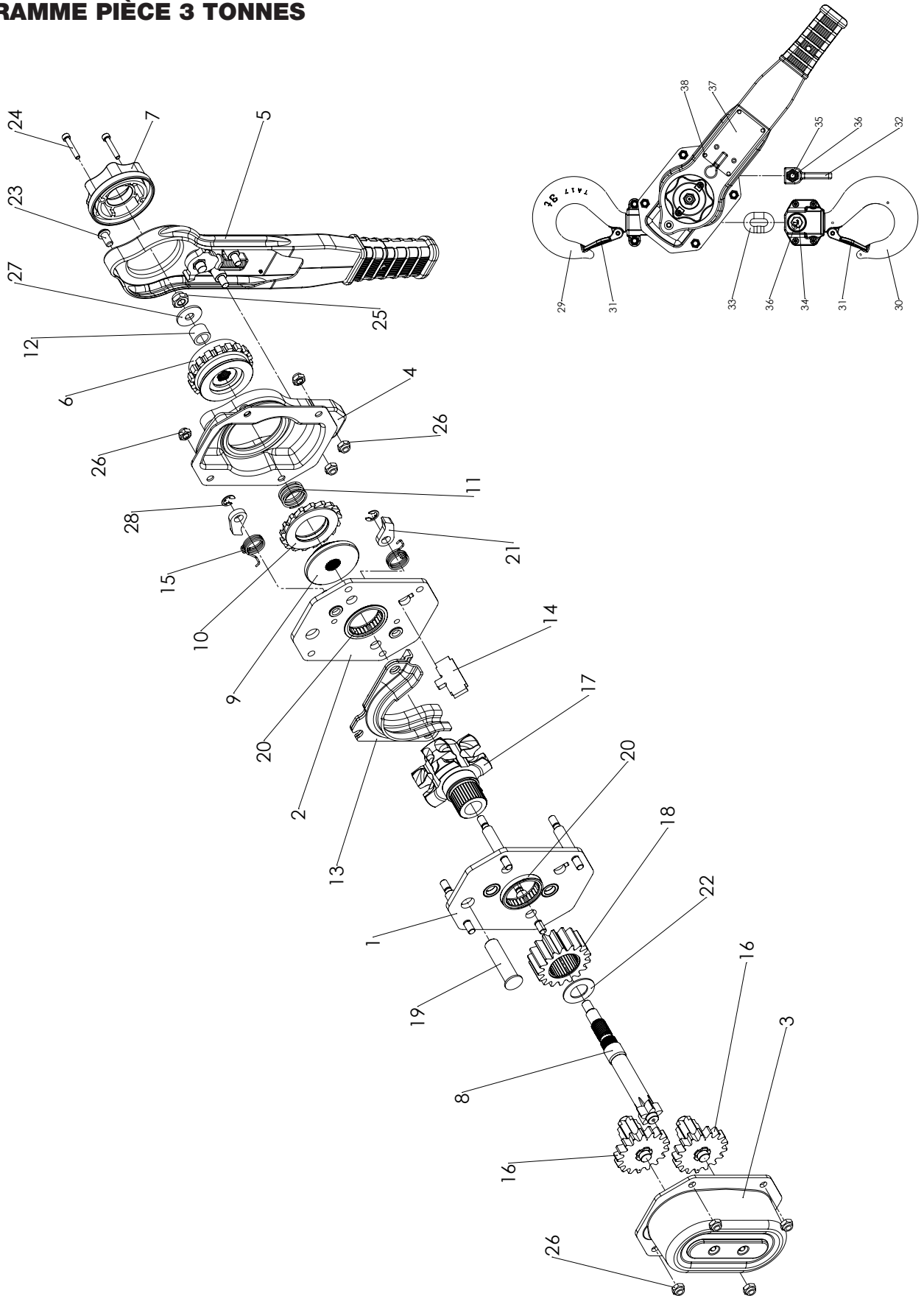
FRANÇAIS

DIAGRAMME PIÈCE 2 TONNES



FRANÇAIS

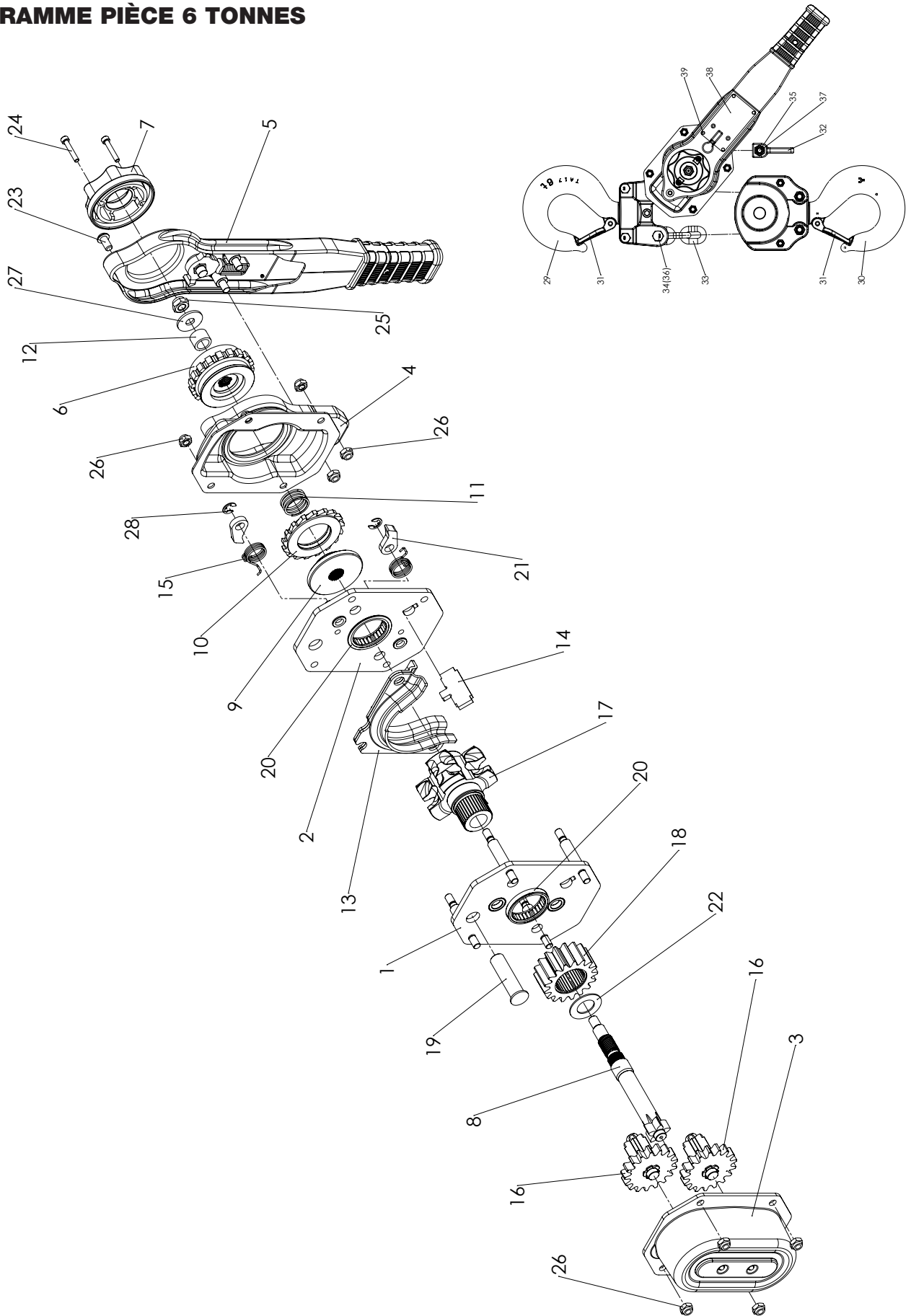
DIAGRAMME PIÈCE 3 TONNES



FRANÇAIS

DIAGRAMME PIÈCE 6 TONNES

FRANÇAIS





USA: Ph: (800) 888.0985 • (716) 689.5400 • Fax: (716) 689.5644 • www.cmworks.com

CANADA: Ph: (877) 264.6478 • Fax: (877) 264.6477 • www.cmworks.com

GERMANY: Ph: +49 7940 128-0 • Fax +49 7940 55665 • www.stahlcranes.com

Partners In Motion Control