



SERIES 622™

HAND CHAIN HOIST

MODEL 622-A

1/2 TO 5 TON CAPACITIES
STANDARD LIFTS UP TO 30 FT.

The CM Series 622 hand chain hoist features a simple, efficient and economical design. With an ultra-low-headroom profile and lightweight steel construction, the CM 622 is easy to install, even in confined spaces. Redesigned for optimal performance, this hoist requires even less pull force for operation and has larger hook throat openings for easier attachment.

BENEFITS & FEATURES

COMPACT, LOW-HEADROOM DESIGN

Classic round-type, compact design makes hoist ideal for low-headroom applications.

RUGGED & DURABLE

Durable steel frame with heat-treated, load-bearing components for long life. 4:1 design factor. Tested to 150% of rated load capacity.

EASY TO POSITION & ATTACH

Forged hooks swivel 360° and have large throat openings to allow for easier load attachment and positioning. Stamped steel safety latches ensure secure load attachment and prevent accidental unhooking of the load when the chain is slack.

SAFE, SMOOTH OPERATION

Hand wheel cover with guide slots minimizes jamming and slipping. Rolled-edge design ensures smooth movement of hand chain.

POSITIVE LOAD CONTROL

Double pawls ensure positive load control in all environments as well as precise load positioning.

RELIABLE, LOW-MAINTENANCE BRAKING SYSTEM

Weston-type brake stays clean and dry for precise load positioning. Brake requires no lubrication for ease of maintenance.

LONG CHAIN LIFE

Hardened load chain for flexibility and long wear.

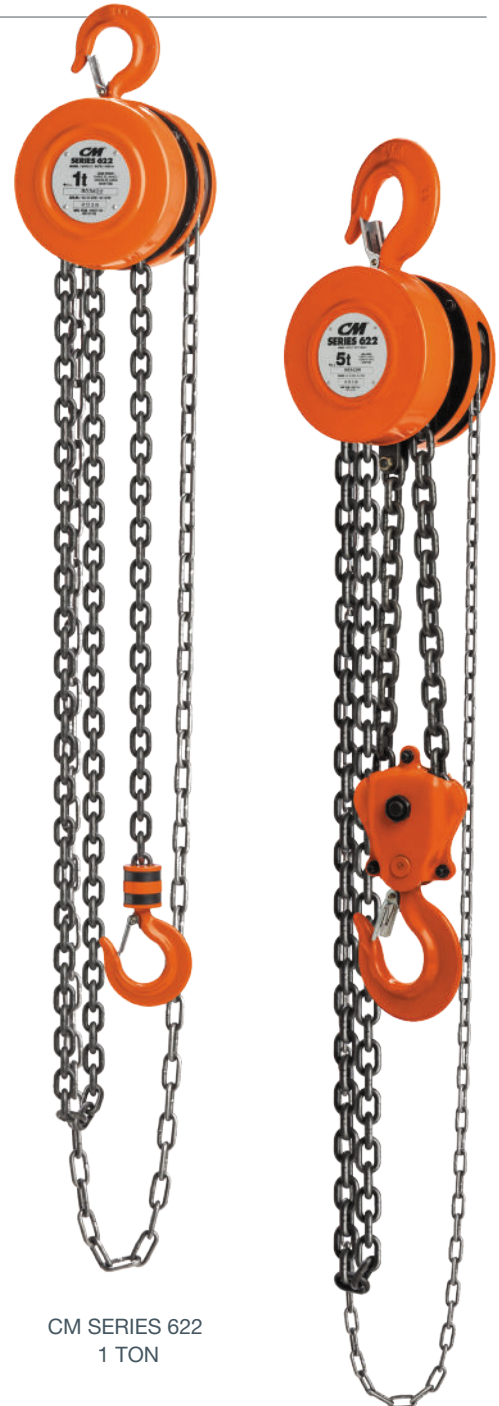
LOW PULL FORCE

Easy to operate, units feature pull forces as low as 50 lbs.

MEETS ASME B30.16 & ASME HST-2:2014

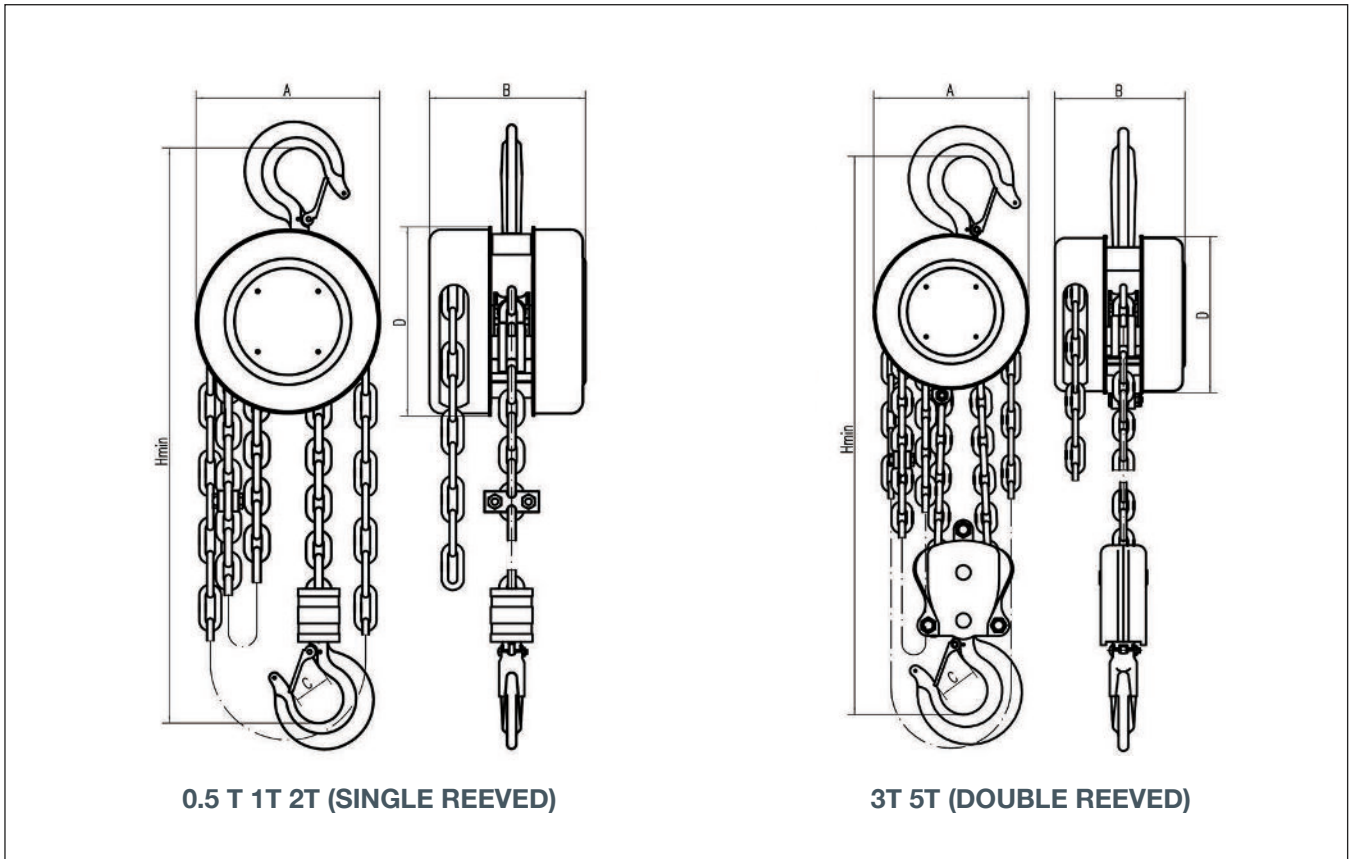
ONE-YEAR WARRANTY

METRIC RATED



CM SERIES 622
1 TON

CM SERIES 622
5 TON



CM SERIES 622A
SPECIFICATIONS

Product Code	Rated Capacity (tons)	Standard Lift ft. (m)	Chain Pull to Lift Rated Load lbs. (kg)	Chain Overhaul to Lift Rated Load 1 ft. (305 mm) ft. (m)	Net Weight lbs. (kg)	Headroom in. (mm)	Clearance Dimensions in. (mm)			
							A	B	C	D
2255A	1/2	10 (3)	50 (23)	28 (8.5)	18 (8)	9.45 (240)	4.7 (120)	4.2 (108)	0.9 (24)	4.7 (120)
2208A		15 (4.5)								
2231A		20 (6)								
2263A		30 (9)								
2256A	1	10 (3)	68 (31)	42 (12.8)	22 (10)	10.63 (270)	5.5 (142)	4.8 (122)	1.1 (28)	5.5 (142)
2210A		15 (4.5)								
2262A		20 (6)								
2264A		30 (9)								
2258A	2	10 (3)	103 (47)	53 (16.15)	35 (16)	13.66 (347)	7 (178)	5.5 (139)	1.3 (34)	7 (178)
2213A		15 (4.5)								
2233A		20 (6)								
2272A		30 (9)								
2259A	3	10 (3)	77 (35)	107 (32.61)	53 (24)	18.5 (470)	7 (178)	5.5 (139)	1.4 (38)	7 (178)
2223A		15 (4.5)								
2214A		20 (6)								
2260A	5	10 (3)	86 (39)	163 (49.68)	79 (36)	23.62 (600)	8.2 (210)	6.3 (162)	1.9 (48)	8.2 (210)
2257A		15 (4.5)								
2234A		20 (6)								

Note: Standard hand chain drop is 2 feet less than lift. i.e. 8 foot lift hoist has a 6 foot hand chain drop.



USA: 800.888.0985 • 716.689.5400 • Fax: 716.689.5644

CDN: 877.264.6478 • Fax: 877.264.6477

www.cmworks.com